



Multi-pipe units with scroll compressors

Model CMAA 012 to 140

Cooling capacity: 45 - 484 kW

Heating capacity: 52 - 555 kW



CMAA sizes 012-120



CMAA sizes 130-140

CG-PRC025B-GB

Table of Contents

Product presentation	4
Operating modes	8
Unit designation	10
Technical specification	11
Options and accessories	15
Energy efficiency ratios	16
Technical data	17
General technical data.....	17
Performance tables.....	23
Operating range	80
Scaling correction tables	81
Hydraulic data	82
Electrical data	102
Acoustic data	104
Installation sketch	107
Dimensional drawings and weights	110

Product presentation

Multi-pipe systems

The units belonging to the CMAA range are high efficiency multifunctional units for 4-pipe systems with axial fans and scroll compressors.

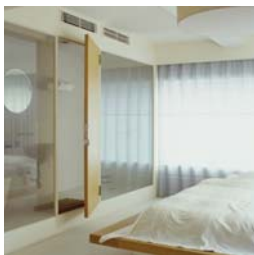
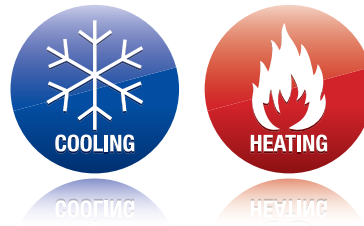
CMAA multi-pipe units are the ideal solution for all those buildings undergoing strong opposite variable loads during the whole year.

The main applications are:

- Buildings with a double and opposite sun exposure
- Airports
- Hotels
- Banks
- Discos, in which cooling for the dance floor zone and heating for those areas dedicated to conversation are simultaneously needed
- Wellness centers where areas with opposite loads requirements are present
- Datacenter, where the server zone needs to be cooled while the office area needs to both heating and cooling
- Hospital, in particular the operating theatre where the cooling or heating demand is independent from the season

The four-pipe technology is considered the best energy efficient solution able to satisfy the complex need of all those buildings where it is necessary to neutralize simultaneous opposite thermal loads.

CMAA, operating in total heat recovery mode, is able to satisfy the simultaneous demand of hot and cold water all over the year, simplifying the plant and reducing operating costs.



Hotels



Shopping malls



Hospitals



Wellness centers



Airports

REFRIGERANT CIRCUIT

The refrigerant circuit is optimized to allow avoiding fault of the unit caused by anti-freeze alarms.

These alarms happens frequently for all the standard multi-functional units not equipped with the appropriate circuit design.

The reliability of the system considerably increases the working reliability of the unit.

Product presentation

50 % LESS DEFROST CYCLES

An innovative technology is implemented in the electronic control system in order to significantly decrease the number of defrosting cycles, reducing drastically the production of negative energy towards the plant, where a heat pump normally uses to switch the cycle in chiller mode producing cold water.

It is a digital self-adaptive defrosting system able to intervene only in case of a consistent thickness formation of ice on the coils' fins. In particular, the system reduces the number of defrosting cycles by monitoring the outdoor conditions and the unit evaporation and activates the defrost function only if necessary and if the coils are really iced.

Thanks to this technology the number of defrosting cycles decreases by 50%.

The reduction of mechanical stress, due to the cycle inversions during heating mode, implies an increase in the life cycle of the unit, as well as improving the comfort felt by the user.

DYNAMIC LOGIC CONTROL

The electronic controller can manage the differential of the inlet water temperature on the basis of the speed of its variation.

The function dLC works partially as a simulator of a water tank: in fact it allows to reduce the number of the compressor's starts. The main advantage of the function dLC is during the conditions of low load, that is:

- the compressor is switched off and the water temperature increases very slowly; in this situation the dLC is able to delay the start of the compressor by replacing itself to the thermal inertia that would be obtained from the water tank;
- the compressor is switched on and the water temperature decreases very quickly; in this situation the dLC is able to delay the compressor's switching off. In this way it is reached the same result that would be obtained from the water tank's thermal inertia.

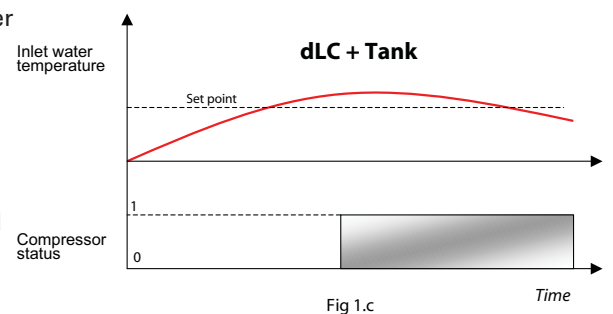
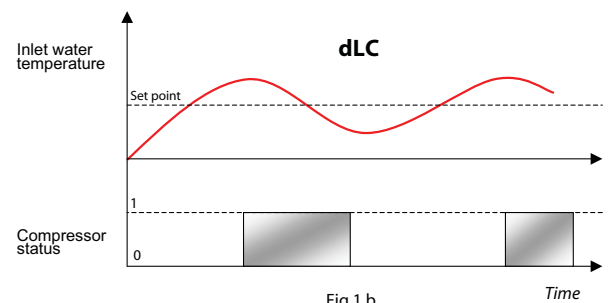
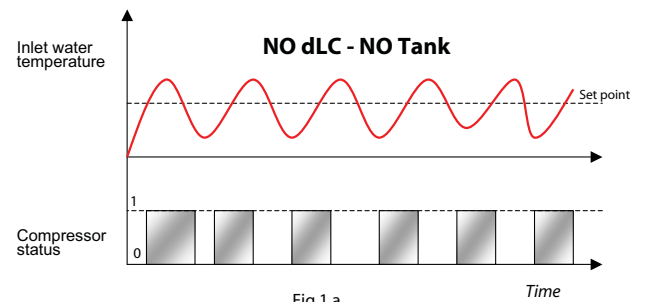
As result the function dLC makes possible to reduce the dimensions of the water tank, with huge advantages for the footprint of the unit .

Figure 1 shows how the compressor's startups decrease by passing from a system with no tank and without dLC (1.a) to a system with dLC (1.b) and to a system with dLC and a small water tank (1.c). It can be seen that this last solution is still the best, though the tank dimensions can be reduced.

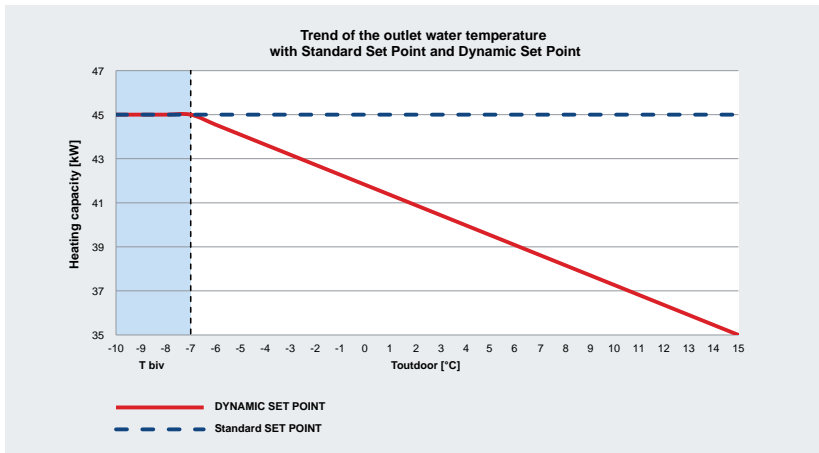
DYNAMIC SET POINT

During the heating season the outdoor temperature changes from the design temperature, and consequently the heating load of the plant changes too. It is therefore possible to adjust the outlet water temperature according to outdoor temperature by the use of a set point regulation following a climatic curve.

With a bivalent outdoor temperature of - 7°C with fan coils distribution (working with an inlet water temperature of 45°C) it is possible to adjust the outlet water temperature as per a linear trend between the bivalent temperature and 15°C (temperature value to which the heating load is assumed to be zero).

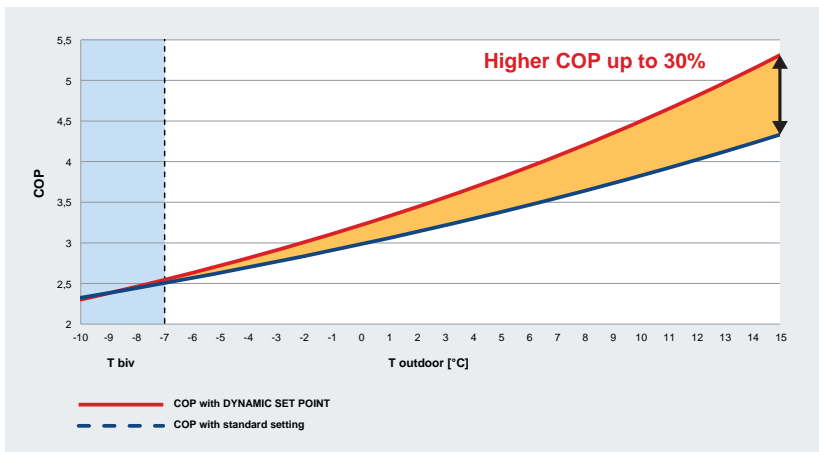


Product presentation

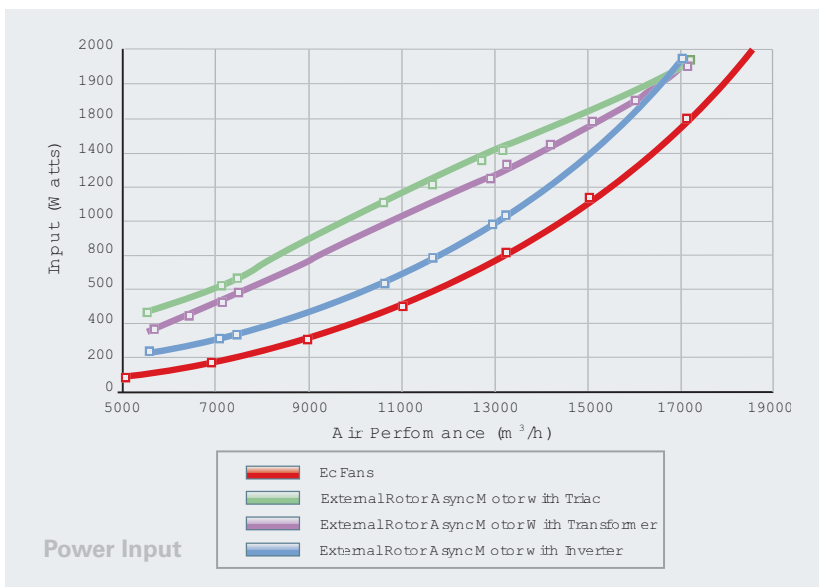


The curve shown is an example of possible regulation: the DYNAMIC SET POINT allows to set a regulation curve according to the design choices and to the requirements of each installation. This control allows to keep a high level of comfort and highlights the efficiency of the heat pump.

The efficiency in fact increases with the decrease of the outlet water temperature thanks to a lowest condensing temperature of the refrigerant.



The diagram shows the COP trend for the standard set point and the Dynamic Set Point. The DYNAMIC SETPOINT allows to adjust the working set point of the unit maximizing the comfort and the efficiency of the unit.



ELECTRONICALLY COMMUTATED BRUSHLESS FANS (OPTIONAL)

The new generation EC-BRUSHLESS fans ensure a higher efficiency thanks to lower energy consumption compared to traditional AC motors.

The EC motors allow therefore lower sound emissions during the air flow modulation.

The blade profile has been studied to reduce noise and ensure high acoustic comfort levels.

Product presentation

NEW SUPERVISIONING CONTROL SYSTEM

The new generation and the most advanced control system entirely custom made able to manage and optimize the unit operation by coordinating the interaction between all the components:

compressors, fans, inverter pumps and electronic expansion valves, maximizing the efficiency of the multi-functional system. It allows the interface with the main BMS system, via RS485, the routing on the web of all the operating parameters of the unit, allowing a total remote control of the unit through the Ethernet port RJ45, and the interface with the expansion modules I/O, via CanBus.

ENERGY SAVING

The unit can be turned off according to time bands. An innovative **Energy Saving** function can be also activated to regulate the on-off of the unit. By activating this function, at certain time bands, the controller will adjust the set point value to those required by the user.

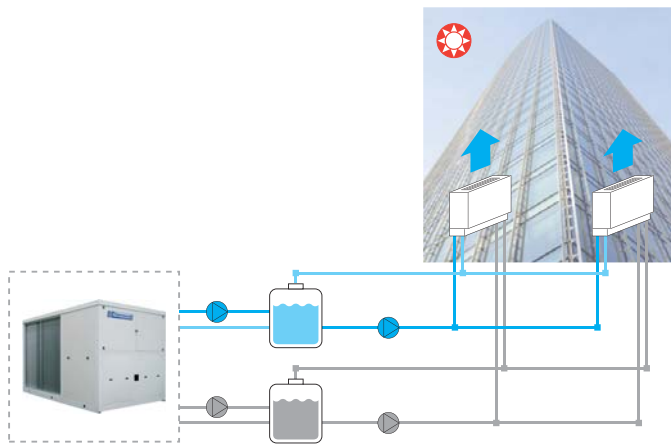
Thanks to the Energy saving the unit will be “forced to work more” at certain time when the cost of electricity is lower or even to work less when there is a lower heating load.

The electronic control gives priority to the automatic shutdown, if the two functions should be active for the same daily time band.

Operating modes

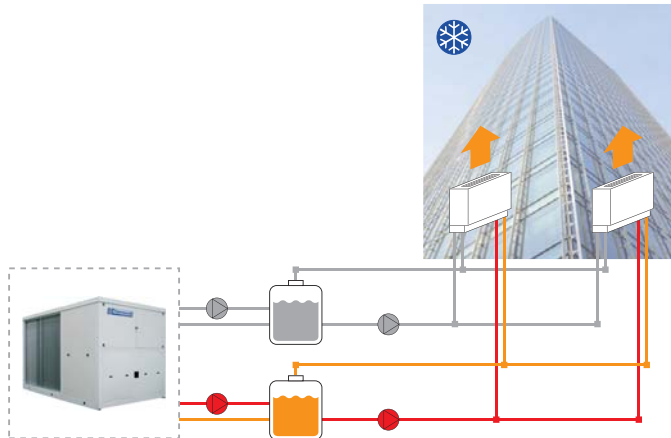
The multi-functional units are made by 2 distinct sections, the hot one at condenser side, and the cold one at evaporator side: the simultaneous production of hot and chilled water allows the unit to adapt its operation to any requirement of the plant, in a totally autonomous and self-managed way.

The multi-functional four pipes units automatically switch their operating cycle according to the load demands during the whole year, without doing the manual switch from summer to winter mode needed for the traditional heat pumps. There are three basic operating configuration which are automatically selected in order to minimize the power input and satisfy the thermal load of the plant.



ONLY CHILLER MODE

The unit works in chiller dissipating the condensation heat through a finned coil heat exchanger (condenser). The water is chilled in a water-refrigerant plate heat exchanger (evaporator).



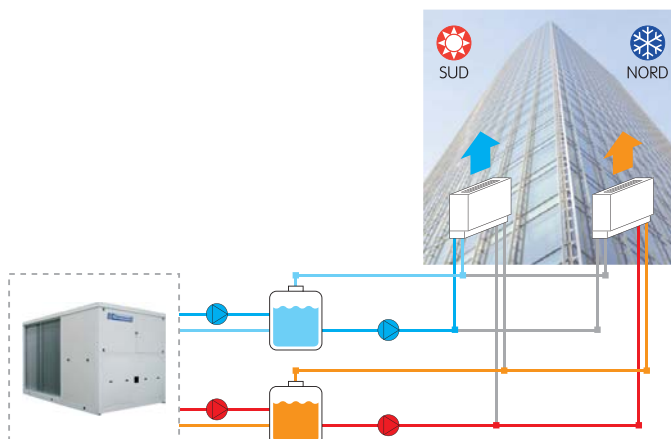
ONLY HEAT PUMP MODE

The unit works in heat pump mode only, exploiting the outdoor air energy to heat the water through a water-refrigerant plate heat exchanger (condenser).

Differently from a traditional reversible heat pumps the hot water is produced through a different heat exchanger from those used to produce chilled water.

Therefore according to the operating mode, whether the unit works in heat pump mode or in chiller mode, there will be a dedicated heat exchanger for the chilled or hot water production (evaporator or condenser).

This is required in order to keep the cold and hot sections separated, as needed in a 4-pipe system.



CHILLER + TOTAL OR PARTIAL RECOVERY MODE

The unit works as a water-water heat pump if there's a simultaneous demand of hot and chilled water, by controlling the condensation and the evaporation through two different plates heat exchangers each for its own hydraulic circuit of the 4 pipe plant.

Operating modes

POSSIBLE OPERATING COMBINATIONS

HEATING LOAD (%)	COOLING LOAD (%)	CIRCUIT 1	CIRCUIT 2
100	100	C+R	C+R
75	25	H	C+R (PART LOAD)
50	50	R	OFF
50	25	H	C+R (PART LOAD)
25	0	H (PART LOAD)	OFF
75	0	H (PART LOAD)	H
100	0	H	H
50	100	C+R	C
25	75	C+R (PART LOAD)	C
50	50	OFF	C
100	50	H	C+R
50	75	C+R (PART LOAD)	C
50	25	H (PART LOAD)	C+R (PART LOAD)
50	0	H	OFF
25	75	C+R (PART LOAD)	C
25	50	C+R (PART LOAD)	C (PART LOAD)
25	25	C+R (PART LOAD)	OFF
25	0	H (PART LOAD)	OFF
0	100	C	C
0	75	C	C (PART LOAD)
0	50	OFF	C
0	25	OFF	C (PART LOAD)
0	0	OFF	OFF

H HEAT PUMP MODE
C CHILLER MODE
C+R CHILLER + RECOVERY MODE

Unit designation

The encoding of CMAA is simple and follows the rules defined by Trane for all other units:

DIGIT																										
1	2	3	4	5	6	7	8	9	10	11	12	13	14	15	16	17	18	19	20	21	22	23	24	25	26	27
C	M	A	A	1	3	0	S	1	1	1	1	1	1	1	1	2	1	1	1	1	1	1	1	1	1	1

Digits 1 to 4: CMAA =

Scroll compressor unit for Multi-pipe application

Digits 5 to 7 = Unit size (Nominal tonnage)

012	Size 012 (12 tons)
015	Size 015 (15 tons)
018	Size 018 (18 tons)
023	Size 023 (23 tons)
030	Size 030 (30 tons)
033	Size 033 (33 tons)
037	Size 037 (37 tons)
044	Size 044 (44 tons)
047	Size 047 (47 tons)
057	Size 057 (57 tons)
070	Size 070 (70 tons)
087	Size 087 (87 tons)
097	Size 097 (97 tons)
102	Size 102 (102 tons)
120	Size 120 (120 tons)
130	Size 130 (130 tons)
140	Size 140 (140 tons)

Digit 8 = Acoustic

X	Standard Noise
L	Low Noise
S	Super Low Noise

Digit 9 = Pump package

1	2 pumps, Low Head pressure
2	2 pumps, medium Head pressure
3	2 pumps, High Head pressure
4	2+2 pumps, Low Head pressure
5	2+2 pumps, medium Head pressure
6	2+2 pumps, High Head pressure

Digit 10 = Remote control display

X	Without (Standard)
1	With Remote Control Display

Digit 11 = Power factor correction

X	Without (Standard)
1	Cos Phi = 0.91

Digit 12 = Control panel electric heater with thermostat

X	Without (Standard)
1	With

Digit 13 = Phase failure protection relay

1	With (Standard)
---	-----------------

Digit 14 = Communication card RS485

1	With (Standard)
---	-----------------

Digit 15 = Soft starter

X	Without (Standard)
1	With

Digit 16 = Automatic circuit breakers

X	Without (Standard)
1	With

Digit 17 = Condensing control

1	With variable fan speed modulation (Standard)
2	EC Fans

Digit 18: Numbered wires

X	Without (Standard)
1	With

Digit 19: Flow switch

X	Without (Standard)
1	With one flow switch
2	With two flow switches

Digit 20 = Automatic water filling

X	Without (Standard)
1	With

Digit 21 = Water strainer

X	Without (Standard)
1	With water strainer
2	With two water strainers

Digit 22 = Water gauges

X	Without (Standard)
1	With water gauge
2	With two water gauges

Digit 23 = Gas gauges

X	Without (Standard)
1	With

Digit 24 = Condensing coil protection grilles

X	Without (Standard)
1	With

Digit 25 = Isolators

X	Without (Standard)
1	Rubber anti vibration mounts
2	Spring anti vibration mounts

Digit 26 = Sea container kit

X	Without (Standard)
1	With

Digit 27 = Condensing coil

1	Aluminum (Standard)
2	Aluminum + Blygold condensing coils
3	Aluminum epoxy condensing coils
4	Aluminum pre-painted condensing coils
5	Copper/Copper condensing coils
6	Tinned copper/copper condensing coils

Digit 28 = High static pressure fans 100Pa

X	Without (Standard)
1	With

Digit 29 = Literature language

D	Dutch
E	English
F	French
G	German
I	Italian
P	Polish
R	Greek
S	Spanish
T	Turkish

Digit 30 = Special

X	Without (Standard)
S	Special request

Technical specifications

The units belonging to CMAA range are multi-functional air cooled units, for outdoor installation, equipped with scroll compressors, electronic expansion valves and ECO profile axial fans available in 18 sizes and in the following basic version:

CMAA units are available in a wide capacity range in order to guarantee a high satisfaction level for different plant applications.

ACOUSTIC VERSIONS

- LN** low noise unit, including condensing control with reduced fan speed and sound compressor jackets.
- SL** super low noise unit. The noise reduction is achieved by soundproof insulation of the compressors box, muffler on the compressor delivery lines, oversized coils and additional fans speed modulation according to the condensation/evaporating pressure.

For the SL unit, the hydraulic kit is equipped with soundproof box with acoustic insulation.

HYDRAULIC VERSIONS (Built-in hydraulic kit)

1 pump for chilled water circuit (150 kPa) + 1 pump for hot water circuit (150 kPa)

1 pump for chilled water circuit (250 kPa) + 1 pump for hot water circuit (250 kPa)

1 pump for chilled water circuit (450 kPa) + 1 pump for hot water circuit (450 kPa)

CASING

Made of galvanized and painted steel with increased thickness and with thermoset polyurethane powder, dried in the oven. The main components (compressor and refrigerant circuit components) are contained in a closed box enclosure with different possibilities of acoustic insulation allowing a more easy ordinary and extraordinary maintenance of the components. A closed compartment, easily inspectable, protecting exchangers and pumps is located in the condensing section of the unit. The whole structure is made of galvanized and painted steel. The assembled base frame is composed by longitudinal and transverse components with a thickness of 3mm, coupled by high resistance nailing, the profile has a base of 80mm suitable to the mounting of spring or rubber shock absorbers through holes of 18mm. The structure is fixed to the uprights (thickness 2mm) with bolts and threaded inserts to facilitate their removal, the particular profile of the uprights allow the installation of inspection panels and grids embedded type to protect all the components and at the same time to allow easy and immediate access during any maintenance and service operation.

The painting treatment of the casing is made with epoxy powder, which gives the whole structure a long lasting resistance for outdoor installation, even in aggressive environmental conditions.

COMPRESSORS

Compressor of scroll hermetic type. These compressors are featured from high performance with low noise and vibration levels. The high values of COP are obtained:

- By means of high volumetric efficiency in the whole operating range obtained through the continuous contact between the fix and rotating spirals which avoids the bad space and the expansion of the refrigerant;
- By means of low pressure losses due to the absence of suction and discharge valves and to the continuous compression;
- By means of the reduction of the heat exchanging between the suction and discharge refrigerant, thanks to the complete separation of the refrigerant paths.

The acoustic features are obtained:

- For the absence of the suction and discharge valves;
- For the continuous and progressive compression process;
- For the absence of pistons which ensures the low vibrations level and pulsation of the refrigerant.

The electric motor is suction cooled and equipped with automatic reset thermal protection and electric heater to prevent the dilution of the refrigerant in the oil during the periods when the unit is stopped. The terminals are contained into a box IP 54 protected.

FANS

The technology of Electronically Commutated motor Fans (EC Fans), has blades statically and dynamically balanced, driven directly by the electric motors, closed type, external rotor and thermal protection for outdoor installation. Class F windings, internal protection according to VDE 0730. Ecoprofile are characterized by low speed and "owlet" profile to reduce the effect of vortices, thereby reducing the energy consumed for operation and noise, reducing it by an average of 6dB (A) compared with standard fans. The units are equipped with the continuous control and therefore the continuous variation of the fans speed up to 2135 model. Such regulation on the fans motors is obtained by means of a system able to change the supply voltage of the motors and to reduce the fans rotational speed. In this way it is possible to obtain a prompt and precise regulation to the changes of the outdoor conditions maximizing the efficiency of the unit operation.

From model 2160, the condensing control is made with 4 steps Δ/Y .

Technical specifications

PLATE HEAT EXCHANGER – COLD SIDE

Direct expansion, stainless steel AISI 316 brazed plate type with double circuit, externally insulated with closed cell anti-condensation material and equipped with water differential pressure switch and antifreeze protection electric heater.

HIGH EFFICIENCY PLATE HEAT EXCHANGER – HOT SIDE

Direct expansion, stainless steel AISI 316 brazed plate type with double circuit, externally insulated with closed cell anti-condensation material and equipped with water differential pressure switch and antifreeze protection electric heater.

SOURCE HEAT EXCHANGER

The condensing / evaporating exchangers are with finned coil and copper tubes, with corrugated fins of aluminum with spacing of the tubes 30/26 and spacing fins differentiated with fin pitch of 1.6mm at the top and 2.5mm at the bottom.

Thanks to the differentiated spacing is obtained a uniform speed profile across the coils so as to increase the heat exchange in the lower part especially critical in heat pumps.

On the basis of the coils are installed thermostatic electrical heaters, immersed in the last row of tubes, in such a way that the heat develops around the entire pipe by increasing the conduction of heat. These electrical heaters are useful to prevent formation of ice on the batteries and to reduce the defrosting time favoring the drainage of the condensate.

Copper tubes are mechanically expanded, and are of a high efficiency with CROSS-GROOVED tube.

The batteries are also designed for ecological fluids, the velocity inside the tubes, not less than 10m/sec, are such as to ensure the correct entrainment of the oil in each load condition.

REFRIGERANT CIRCUIT

The refrigerant circuit is specific and optimized for the use of a reduced number of solenoids valve and the cross exchange technology, which allows to avoid stops of the units during winter times in case of hot water demand only when cooling is satisfied. Consequently the water temperature of the cold tank doesn't reach the temperature of ice on the evaporator.

The units are equipped with two independent refrigerant circuits, entirely constructed with copper tubes, each supplied by its own compressor, including:

- Refrigerant charge R410a;
- Thermostatic expansion valve;
- Filter drier with interchangeable cartridge suitable for the use of ecological fluids and polyesters oils;
- Indicator lamp for liquid flow and humidity presence;
- Shut off valve on the liquid line complete of balancing pressure system making easier the opening and closing operations;
- Solenoid valve on the liquid line;
- High pressure switch;
- Low pressure switch;
- Safety valve on the discharge line;
- Safety valve on the suction line;
- High pressure transducers;
- Low pressure transducers;
- Compressors discharge valve;
- Liquid receiver;
- Liquid accumulator on the suction line;
- Oil separator;
- 4 way reverse valve;
- Cycle configuration valve.

ELECTRICAL PANEL

The electrical panel made in accordance with CEI-EN 60204-1 (CEI44-5; CEI EN 62061) standards, is housed in watertight box, the opening system of the box needs the use of a retractable handle or dedicated tools, in each case the opening is allowed only after disconnection of the power supply through the main switch with door lock handle lockable in OFF position.

The electrical panel includes:

- Protection fuses for the supply line of each compressor;
- Protection fuses for the supply line of fans for each refrigerant circuit;
- Protection fuses of auxiliary circuit;
- Start up contactors for compressors dimensioned according to the maximum stress;
- Start up contactors for fans;
- Adjustable thermal magnetic circuit breaker for the protection of the pump (only in case of units equipped with hydraulic kit);
- Start up contactors for pump (only in case of units equipped with hydraulic kit);
- single-phase transformer for the power supply of the auxiliary circuits;
- numbered wires;
- microprocessor control.

Technical specifications

In case of phase failure an automatic system protects fans and compressors.

The wiring of the electric panel and the connection with the components of the units are made using cables appropriately calculated for operation at 55°C and according to the maximum electrical stress of the components.

All the cables and the terminals are univocally numbered according to the electrical scheme in order to avoid possible misinterpretation. The identification system of the cables connected to the components allow also an easy and intuitive recognition of the component.

Each component of the electrical panel is provided with an identification plate according to what is shown on the electrical scheme. All the connection to the electrical panel are made from the bottom and are equipped with cover preventing from break.

The electrical panel supply is 400V/3ph+n/50Hz and no additional power supply is necessary. The input of the power cables is provided on the bottom of the box where it is provided a dismountable flange suitable for the purpose.

MICROPROCESSOR CONTROL SYSTEM

The multi-functional four pipes unit, are equipped with two completely independent circuits, controlled by 2 devices, each of which handles a single circuit. The two devices are in communication with each other via the Modbus protocol.

The keypad allows a complete and intuitive display of all the main control variables of both circuits.

The programmable controller is based on a powerful platform with 256bit microprocessor, 4MB mass storage with a hardware and software configuration made with the most innovative technology in terms of processing speed and connectivity.

The diagnostics includes a complete alarm management, alarm history and data logger which stores an archive of about 4 days (further expandable by USB memory) where the main variables and the operating status of the unit are recorded. ModBus master and slave communication protocol. The temperature regulation is carried out by two hydraulic circuits (cooled water and hot water), with a continuous proportional logic according to the return water temperature.



The operating parameters of the machine are protected by 3 levels of password (user-maintainer-builder). The user panel provides information LCD display with exhaustive descriptions in Italian and English (selectable).

- Ability to interface with the main BMS systems via RS485.
- Ability to interface with I/O expansion modules via CanBus.
- Ability to control the unit by voltage free contacts.
- Input Ethernet RJ45, for routing on the web of all the parameters of the unit, providing a total remote control of unit.
- USB input to upload parameter files, system files, firmware and to download files of historical alarms, residing parameters files and default parameters files.
- User interface on the door of the panel, low-reflection LCD, equipped with 8 function keys, easy iconic display, easy sliding between the dynamic screens.
- Control of condensation / evaporation air through two speed fans directly managed by the electronic controller based on proportional logic (LN version).
- Control of condensation / evaporation air through inverter directly managed by the electronic controller based on proportional logic (SL version).
- Management of electronic expansion valves through controller based on PID logic, with LOP control (low operating pressure), maintenance of the minimum working pressure and of the MOP (maximum operating pressure) for the management of the maximum working pressure.

The microprocessor manages:

- Starting of the compressors with the start-up and stop time control.
- Compressor rotation with FIFO logic.
- Fans start up and modulation according with condensation and evaporation pressure.
- Solenoid valves of liquid lines with pump-down management during stops through double control of suction pressure and maximum time of the procedure.
- Electric anti-freeze heater for user exchangers.
- Electric heater mounted on the base of coils to avoid ice formation.
- Hot and cold side water pumps management through voltage free contacts for standard versions; for hydraulic versions the pump management is automatically controlled.
- Alarm signal for each refrigerant circuit of the unit through voltage free contacts.

The microprocessor will control and display by suitable measuring transducers the following variables:

- Inlet and outlet water temperature to the cold user exchanger.
- Inlet and outlet water temperature to the hot user exchanger.
- Outdoor temperature.
- Condensing pressure of each refrigerant circuit.
- Evaporating pressure of each refrigerant circuit.
- Total operating time of each compressor.
- Total operating time of the unit.

Technical specifications

The microprocessor will protect the unit in the following cases, the resetting of any alarm will always be manual.

- Low evaporating pressure by analogical and digital input with possibility to edit the marking details.
- High condensing pressure by analogical and digital input.
- High temperature of the compressors windings.
- Reverse rotation of each compressor.
- Low pressure difference between discharge and suction (to allow a correct lubrication of the compressor) with the possibility to edit the start-up delay and the minimum requested value.
- High pressure difference on the oil filter.
- High temperature of fans motor windings.
- High temperature of pumps motor windings.
- Lack of water flow on evaporator and condenser.
- Low evaporator outlet water temperature.
- Low condenser outlet water temperature.

It is also possible to display and edit through the microprocessor the following value:

- Operating set point of the unit.
- Operating differential of the unit.
- Set point and anti-freeze block differential.
- Set point and differential of activation of the evaporator heater.
- Minimum operating time of each compressor.
- Minimum stop time of each compressor.
- Maximum number of starts per hour of each compressor.
- Set point and optimal condensation pressure differential (condensation and evaporation control).

Other functionalities ensured from the microprocessor are:

- Activating of preventive functions at extreme conditions of high pressure.
- Activating of preventive functions at extreme conditions of low pressure.
- Activation of preventive functions at limit conditions of high discharge temperature.
- Activating preventive functions at extreme conditions of low evaporator leaving water temperature.
- Activating preventive functions at extreme conditions of high evaporator inlet water temperature.
- Protection from unwanted changes of the parameters thanks of the use of password and systems to confirm the changed data.
- Indication of the unit status and the components status.
- Possibility to exclude each compressor for the maintenance.
- Possibility to change the set point by external analog signal.
- Possibility of ON/OFF remote signal through digital external signal.
- Communication with supervision systems (data and parameters exchange).
- Continuous adjustment of the set point according to the outdoor air temperature both with direct and reverse direction logic (DSP).
- Intelligent management of defrosts depending on the approach of the coil (Digital Defrost).
- Auto power on-off of the unit using time slots.
- Adjustment of the set point by time bands both with direct and reverse direction logic (Energy Saving).

Options and accessories

FACTORY-MOUNTED OPTIONS

- Stand-by pump for air conditioning circuit + stand-by pump for heating circuit, 150 kPa.
- Stand-by pump for air conditioning circuit + stand-by pump for heating circuit, 250 kPa.
- Stand-by pump for air conditioning circuit + stand-by pump for heating circuit, 450 kPa.
- Power factor correction to cos phi 0.91.
- Control panel electric heater with thermostat.
- Soft - Start.
- Automatic circuit breakers.
- Condensing control with variable fan speed modulation.
- Electronically Commutated Motor fans (EC Fans).
- Electronically Commutated Motor fans high static pressure 100 Pa (EC Fans).
- Numbered wires.
- Gas gauges.
- Condensing coil protection grilles.
- BLYGOLD condensing coils.
- Pre painted condensing coils.
- Epoxy coated condensing coils.
- Copper/copper condensing coils.
- Tinned copper/copper condensing coils.

ACCESSORIES

- Remote control display.
- Flow switch.
- Automatic water filling.
- Filter.
- Water gauges.
- Rubber anti vibration mounts.
- Spring anti-vibration mounts.

Energy efficiency ratios

METHODOLOGY FOR CALCULATING SEASONAL ENERGY EFFICIENCY

Energy efficiency of the multifunction unit heat pump CMAA, in chiller operating mode, is calculated according the ESEER coefficient. Considering that all have recognized the IPLV lack of adaptability in front of needs in Europe, it is developed a new coefficient, called ESEER (European Seasonal Energy Efficiency Ratio), that is much more equal to EMPE Italian coefficient than the IPLV coefficient.

The formula of the three coefficient is:

$$\text{Index} = \text{PE}_{100\%} \text{EER}_{100\%} + \text{PE}_{75\%} \text{EER}_{75\%} + \text{PE}_{50\%} \text{EER}_{50\%} + \text{PE}_{25\%} \text{EER}_{25\%}$$

as:

PE is energetic weight (energy produced divided by total energy) to the four loading conditions considered by the method (100% - 75% - 50% - 25%) and related in the following table:

FEATURES	INDEX	LOAD (100%)	LOAD (75%)	LOAD (50%)	LOAD (25%)
ENERGETIC WEIGHT	IPLV	1%	42%	45%	12%
	EMPE	10%	30%	40%	20%
	ESEER	3%	33%	41%	23%
T. IN AIR CONDENSER air-water unit	IPLV	35°C	26,7°C	18,3°C	12,8°C
	EMPE	35°C	31,3°C	27,5°C	23,8°C
	ESEER	35°C	30°C	25°C	20°C
T. IN WATER CONDENSER water-water unit	IPLV	29,5°C	23,9°C	18,3°C	18,3°C
	EMPE	29,5°C	26,9°C	24,4°C	21,9°C
	ESEER	30°C	25°C	20°C	20°C

TEC - TOTAL EFFICIENCY COEFFICIENT

The effective coefficient measuring the unit performance during the whole year is the TEC (Total Energy Coefficient) coefficient, an index properly properly developed to measure the multifunction real efficiency.

The TEC indicator is an average year efficiency index considering the efficiency of each operating mode of the unit properly weighted (cooling, cooling + heating, heating), more completely than the standard full-load efficiency ratios (EER, COP) and seasonal one (ESEER).

Usually the multifunctional units have TEC value around 7,5. This means that per each kW of power input there is a useful capacity of 7,5.

$$\text{TEC} = (\text{EER}_{\text{COOLING}} * \alpha + \text{DMEC}_{\text{COOLING+HEATING}} * \beta + \text{COP}_{\text{HEATING}} * \gamma)$$

where:

α = weight for only chiller mode operation (%)

β = weight for chiller + heating mode operation (%)

γ = weight for only heating mode operation (%)

DMEC = Dual Mode Efficiency Coefficient

The MOER index is the ratio between the sum of the heating and cooling capacity and the compressors electrical power input, in chiller + recovery mode, and reaches the maximum value when the heating and cooling loads are fully balanced. It allows to calculate

This index was defined to objectively measure the efficiency of a multi-functional unit according to simultaneous load requirement.

Technical data

GENERAL TECHNICAL DATA

CMAA		012	015	018	023	030	033	037	044	047
Cooling (1)										
Total cooling capacity	kW	44,6	55,2	63,5	80,7	106,1	117,8	131,4	153,7	165,8
Compressors power input	kW	13,8	15,8	19,9	21,9	31,9	34,8	41,1	43,4	47,8
Total EER		2,83	3,11	2,90	3,25	3,05	3,12	2,98	3,11	3,08
Water flow	m ³ /h	7,65	9,47	10,90	13,85	18,20	20,21	22,55	26,37	28,45
Water pressure drop	kPa	61,96	50,23	59,32	64,86	60,97	49,81	57,54	43,14	47,3
Heating (2)										
Total heating capacity	kW	51,7	62,3	73,3	92,8	118,7	140,4	156,4	183,2	197,0
Compressors power input	kW	14,9	17,1	20,9	25,3	35,3	39,0	44,5	50,0	54,2
Total COP		3,07	3,27	3,21	3,29	3,10	3,35	3,30	3,27	3,27
Water flow	m ³ /h	9,01	10,85	12,77	16,17	20,68	24,46	27,24	31,91	34,32
Water pressure drop	kPa	68,40	54,17	65,85	70,22	63,69	58,84	66,98	51,74	56,45
Heating + Cooling (3)										
Total cooling capacity	kW	44,6	55,2	63,5	80,7	106,1	117,8	131,3	153,7	165,8
Total heating capacity	kW	58,4	71,0	83,4	102,6	138,0	152,6	172,4	197,1	213,6
Compressors power input	kW	13,8	15,8	19,9	21,9	31,9	34,8	41,1	43,4	47,8
DMEC		7,5	8,0	7,4	8,4	7,7	7,8	7,4	8,1	7,9
TEC		5,2	5,6	5,2	5,8	5,4	5,5	5,3	5,6	5,6
Evaporator water flow	m ³ /h	7,65	9,47	10,90	13,85	18,20	20,21	22,55	26,37	28,4
Evaporator pressure drop	kPa	61,96	50,23	59,32	64,86	60,97	49,81	57,54	43,14	47,3
Condenser water flow	m ³ /h	10,2	12,4	14,5	17,9	24,0	26,6	30,0	34,3	37,2
Condenser pressure drop	kPa	87,4	70,4	85,2	85,9	86,1	69,5	81,4	59,9	66,3
COMPRESSORS										
Compressors number	n	2	2	2	2	2	2	2	2	2
Refrigerant circuits	n	2	2	2	2	2	2	2	2	2
Part load	n	2	2	2	2	2	2	2	2	2
Refrigerant charge	kg	13,4	16,6	19,0	24,2	31,8	35,3	39,4	46,1	49,7
Oil charge	kg	20,0	20,0	34,0	34,0	34,0	34,0	34,0	34,0	40,0
FANS										
Fans number	n	4	4	4	6	6	6	6	4	4
Air flow	m ³ /h	24000	23360	23360	50000	50000	48000	48000	90720	90720
Power input for each fan	kW	0,49	0,49	0,49	0,49	0,49	0,49	0,49	1,50	1,50
Absorbed current for each fan	A	1,00	1,00	1,00	1,00	1,00	1,00	1,00	3,00	3,00
SOUND LEVEL										
Sound power level (ISO 3744)	dB(A)	78	78	79	81	84	86	86	87	89,0
Sound pressure level at 10 m (ISO 3744)	dB(A)	46	46	47	49	52	54	54	55	57
Power supply		400V - 3ph+N - 50Hz								
DIMENSIONS AND WEIGHT										
Length	mm	2300	2300	2300	3550	3550	3550	3550	3850	3850
Width	mm	1350	1350	1350	1550	1550	1550	1550	2250	2250
Height	mm	1550	1550	1550	1965	1965	1965	1965	2312	2312
Operation Weight	kg	1189	1254	1289	1889	1924	1957	2014	2595	2632
Shipping Weight	kg	1169	1230	1263	1859	1892	1921	1974	2551	2586

(1) Outdoor air temperature 35 °C – Outlet water temperature 12/7 °C

(2) Outdoor air temperature 7 °C - 90% UR - Outlet water temperature 45 °C

(3) Recovery water temperature 40/45 °C – Evaporator water temperature 12/7 °C

Technical data

GENERAL TECHNICAL DATA

CMAA		057	070	087	097	102	120	130	140
Cooling (1)									
Total cooling capacity	kW	201,2	249,5	307,5	340,1	361,9	421,6	460,0	485,0
Compressors power input	kW	61,8	72,5	96,1	100,5	105,1	125,8	130,0	139,0
Total EER		2,97	3,18	3,01	3,11	3,17	3,13	3,10	3,10
Water flow	m ³ /h	34,52	42,81	52,76	58,35	62,10	72,34	78,90	83,20
Water pressure drop	kPa	59,7	62,6	63,0	72,4	66,1	64,1	80,0	76,0
Heating (2)									
Total heating capacity	kW	235,7	279,3	346,6	383,0	407,4	472,0	530,0	557,0
Compressors power input	kW	67,7	78,0	96,1	105,0	111,9	125,1	133,0	143,0
Total COP		3,20	3,32	3,39	3,36	3,37	3,52	3,52	3,46
Water flow	m ³ /h	41,06	48,65	60,38	66,72	70,97	82,22	92,30	97,0
Water pressure drop	kPa	70,01	67,27	69,62	78,49	72,99	70,51	110,0	104,0
Heating + Cooling (3)									
Total cooling capacity	kW	201,2	249,5	307,6	340,0	361,9	421,6	504,3	529,5
Total heating capacity	kW	263,0	322,0	403,7	440,5	467,0	547,4	639,1	674,6
Compressors power input	kW	61,8	72,5	96,1	100,5	105,1	125,8	135,0	145,0
DMEC		7,5	7,9	7,4	7,8	7,9	7,7	8,5	8,3
TEC		5,3	5,6	5,3	5,5	5,6	5,5	5,9	5,8
Evaporator water flow	m ³ /h	34,5	42,8	52,8	58,4	62,1	72,3	86,5	90,90
Evaporator pressure drop	kPa	59,7	62,6	63,0	72,4	66,1	64,1	96,0	91,00
Condenser water flow	m ³ /h	45,8	56,1	70,3	76,7	81,4	95,4	111,3	117,50
Condenser pressure drop	kPa	87,2	89,4	94,4	103,8	95,9	94,8	104,0	103,0
COMPRESSORS									
Compressors number	n	4	4	4	4	4	4	6	6
Refrigerant circuits	n	2	2	2	2	2	2	3	3
Part load	n	4	4	4	4	4	4	11	6
Refrigerant charge	kg	60,4	74,8	92,3	102,0	108,6	126,5	123,0	123,0
Oil charge	kg	40,0	40,0	40,0	40,0	40,0	40,0	40,2	40,2
FANS									
Fans number	n	4	4	4	6	6	6	12	12
Air flow	m ³ /h	90720	88000	85760	128160	128160	124080	269440	269440
Power input for each fan	kW	1,50	1,50	1,50	1,50	1,50	1,50	1,50	1,50
Absorbed current for each fan	A	3,00	3,00	3,00	3,00	3,00	3,00	3,00	3,00
SOUND LEVEL									
Sound power level (ISO 3744)	dB(A)	89,0	92,0	92,0	94,0	94,0	95,0	95,0	96,0
Sound pressure level at 10 m (ISO 3744)	dB(A)	57	60	60	62	62	63	62	63
Power supply		400V - 3ph+N - 50Hz							
DIMENSIONS AND WEIGHT									
Length	mm	3850	3850	3850	4460	4460	4460	7035	7035
Width	mm	2250	2250	2250	2250	2250	2250	2260	2260
Height	mm	2312	2312	2312	2312	2312	2312	2400	2400
Operation Weight	kg	2807	3030	3340	3582	3700	3876	4617	4647
Shipping Weight	kg	2757	2976	3280	3520	3634	3806	4567	4597

(1) Outdoor air temperature 35 °C – Outlet water temperature 12/7 °C

(2) Outdoor air temperature 7 °C - 90% UR - Outlet water temperature 45 °C

(3) Recovery water temperature 40/45 °C – Evaporator water temperature 12/7 °C

Technical data

GENERAL TECHNICAL DATA

CMAA LN		012	015	018	023	030	033	037	044	047
Cooling (1)										
Total cooling capacity	kW	43,4	53,8	61,8	78,7	103,3	114,8	127,9	150,0	161,7
Compressors power input	kW	14,3	16,4	20,6	22,8	33,2	36,2	42,7	45,0	49,6
Total EER		2,75	3,01	2,80	3,15	2,92	2,98	2,85	3,03	2,99
Water flow	m ³ /h	7,45	9,23	10,60	13,51	17,72	19,70	21,94	25,74	27,74
Water pressure drop	kPa	59,0	47,9	56,5	62,0	58,1	47,5	54,8	41,3	45,19
Heating (2)										
Total heating capacity	kW	52,1	62,8	73,9	93,6	119,7	141,6	157,7	184,7	198,7
Compressors power input	kW	14,9	17,1	20,9	25,3	35,3	39,0	44,5	50,0	54,2
Total COP		3,18	3,38	3,30	3,40	3,19	3,44	3,38	3,39	3,38
Water flow	m ³ /h	9,08	10,95	12,88	16,30	20,85	24,66	27,47	32,18	34,60
Water pressure drop	kPa	69,09	54,73	66,52	70,92	64,33	59,43	67,64	52,26	57,02
Heating + Cooling (3)										
Total cooling capacity	kW	44,6	55,2	63,5	80,7	106,1	117,8	131,3	153,7	165,8
Total heating capacity	kW	58,4	71,0	83,4	102,6	138,0	152,6	172,4	197,1	213,6
Compressors power input	kW	13,8	15,8	19,9	21,9	31,9	34,8	41,1	43,4	47,8
DMEC		7,5	8,0	7,4	8,4	7,7	7,8	7,4	8,1	7,9
TEC		5,2	5,6	5,2	5,8	5,3	5,5	5,3	5,6	5,5
Evaporator water flow	m ³ /h	7,4	9,2	10,6	13,5	17,7	19,7	21,9	25,7	28,4
Evaporator pressure drop	kPa	59,0	47,9	56,5	62,0	58,1	47,5	54,8	41,3	47,3
Condenser water flow	m ³ /h	10,2	12,4	14,5	17,9	24,0	26,6	30,0	34,3	37,2
Condenser pressure drop	kPa	86,8	69,9	84,7	85,3	85,5	69,1	80,9	59,5	65,9
COMPRESSORS										
Compressors number	n	2	2	2	2	2	2	2	2	2
Refrigerant circuits	n	2	2	2	2	2	2	2	2	2
Part load	n	2	2	2	2	2	2	2	2	2
Refrigerant charge	kg	13,4	16,6	19,0	24,2	31,8	35,3	39,4	46,1	49,7
Oil charge	kg	20,0	20,0	34,0	34,0	34,0	34,0	34,0	34,0	40,0
FANS										
Fans number	n	4	4	4	6	6	6	6	4	4
Air flow	m ³ /h	18000	17520	17520	37500	37500	36000	36000	68040	68040
Power input for each fan	kW	0,37	0,37	0,37	0,37	0,37	0,37	0,37	1,13	1,13
Absorbed current for each fan	A	0,75	0,75	0,75	0,75	0,75	0,75	0,75	2,25	2,25
SOUND LEVEL										
Sound power level (ISO 3744)	dB(A)	76	76	77	79	82	84	84	85	87
Sound pressure level at 10 m (ISO 3744)	dB(A)	44	44	45	47	50	52	52	53	55
Power supply		400V - 3ph+N - 50Hz								
DIMENSIONS AND WEIGHT										
Length	mm	2300	2300	2300	3550	3550	3550	3550	3850	3850
Width	mm	1350	1350	1350	1550	1550	1550	1550	2250	2250
Height	mm	1550	1550	1550	1965	1965	1965	1965	2312	2312
Operation Weight	kg	1189	1254	1289	1889	1924	1957	2014	2595	2632
Shipping Weight	kg	1169	1230	1263	1859	1892	1921	1974	2551	2586

(1) Outdoor air temperature 35 °C – Outlet water temperature 12/7 °C

(2) Outdoor air temperature 7 °C - 90% UR - Outlet water temperature 45 °C

(3) Recovery water temperature 40/45 °C – Evaporator water temperature 12/7 °C

Technical data

GENERAL TECHNICAL DATA

CMAA LN		057	070	087	097	102	120	130	140
Cooling (1)									
Total cooling capacity	kW	195,8	242,8	299,1	331,0	352,0	410,4	449,0	473,0
Compressors power input	kW	64,3	75,5	99,8	104,3	109,0	130,7	135,1	143,6
Total EER		2,85	3,03	2,87	2,98	3,04	2,99	3,02	3,01
Water flow	m ³ /h	33,60	41,66	51,31	56,79	60,40	70,42	76,80	81,0
Water pressure drop	kPa	56,83	59,63	59,95	68,94	62,92	61,11	76,0	72,0
Heating (2)									
Total heating capacity	kW	237,7	281,6	349,5	386,2	410,8	475,9	534,0	561,0
Compressors power input	kW	67,7	78,0	96,1	105,0	111,9	125,1	133,0	142,7
Total COP		3,29	3,41	3,43	3,47	3,46	3,61	3,66	3,59
Water flow	m ³ /h	41,41	49,06	60,88	67,27	71,56	82,90	93,10	97,8
Water pressure drop	kPa	70,72	67,95	70,33	79,27	73,72	71,21	111,0	106,0
Heating + Cooling (3)									
Total cooling capacity	kW	201,2	249,5	307,6	340,0	361,9	421,6	504,3	529,5
Total heating capacity	kW	263,0	322,0	403,7	440,5	467,0	547,4	639,1	674,6
Compressors power input	kW	61,8	72,5	96,1	100,5	105,1	125,8	135,0	145,0
DMEC		7,5	7,9	7,4	7,8	7,9	7,7	8,5	8,3
TEC		5,3	5,5	5,3	5,5	5,6	5,5	5,9	5,8
Evaporator water flow	m ³ /h	34,5	42,8	52,8	58,4	62,1	72,3	86,5	90,9
Evaporator pressure drop	kPa	59,7	62,6	63,0	72,4	66,1	64,1	96,0	91,0
Condenser water flow	m ³ /h	45,8	56,1	70,3	76,7	81,4	95,4	111,3	117,5
Condenser pressure drop	kPa	86,6	88,8	93,8	103,1	95,3	94,2	104,0	103,0
COMPRESSORS									
Compressors number	n	4	4	4	4	4	4	6	6
Refrigerant circuits	n	2	2	2	2	2	2	3	3
Part load	n	4	4	4	4	4	4	11	6
Refrigerant charge	kg	60,4	74,8	92,3	102,0	108,6	126,5	123,0	123,0
Oil charge	kg	40,0	40,0	40,0	40,0	40,0	40,0	40,2	40,2
FANS									
Fans number	n	4	4	4	6	6	6	12	12
Air flow	m ³ /h	68040	66000	64320	96120	96120	93060	202080	202080
Power input for each fan	kW	1,13	1,13	1,13	1,13	1,13	1,13	1,13	1,13
Absorbed current for each fan	A	2,25	2,25	2,25	2,25	2,25	2,25	2,25	2,25
SOUND LEVEL									
Sound power level (ISO 3744)	dB(A)	87	90	90	92	92	93	93	94
Sound pressure level at 10 m (ISO 3744)	dB(A)	55	58	58	60	60	61	60	61
Power supply		400V - 3ph+N - 50Hz							
DIMENSIONS AND WEIGHT									
Length	mm	3850	3850	3850	4460	4460	4460	7035	7035
Width	mm	2250	2250	2250	2250	2250	2250	2260	2260
Height	mm	2312	2312	2312	2312	2312	2312	2400	2400
Operation Weight	kg	2807	3030	3340	3582	3700	3876	4717	4717
Shipping Weight	kg	2757	2976	3280	3520	3634	3806	4667	4697

(1) Outdoor air temperature 35 °C – Outlet water temperature 12/7 °C

(2) Outdoor air temperature 7 °C - 90% UR - Outlet water temperature 45 °C

(3) Recovery water temperature 40/45 °C – Evaporator water temperature 12/7 °C

Technical data

GENERAL TECHNICAL DATA

CMAA SL		012	015	018	023	030	033	037	044	047
Cooling (1)										
Total cooling capacity	kW	44,3	54,8	63,0	80,2	105,3	117,0	130,4	152,7	164,7
Compressors power input	kW	13,9	16,0	20,1	22,1	32,2	35,2	41,5	43,8	48,3
Total EER		2,89	3,16	2,93	3,31	3,07	3,14	2,99	3,18	3,14
Water flow	m ³ /h	7,60	9,40	10,81	13,75	18,07	20,07	22,38	26,20	28,25
Water pressure drop	kPa	61,14	49,58	58,51	64,07	60,17	49,18	56,78	42,63	46,70
Heating (2)										
Total heating capacity	kW	52,4	63,2	74,3	94,1	120,4	142,4	158,6	185,8	199,8
Compressors power input	kW	14,9	17,1	20,9	25,3	35,3	39,0	44,5	50,0	54,2
Total COP		3,21	3,41	3,33	3,43	3,22	3,46	3,40	3,43	3,42
Water flow	m ³ /h	9,13	11,01	12,95	16,39	20,97	24,80	27,62	32,36	34,80
Water pressure drop	kPa	69,56	55,11	66,97	71,39	64,76	59,82	68,09	52,61	57,40
Heating + Cooling (3)										
Total cooling capacity	kW	44,6	55,2	63,5	80,7	106,1	117,8	131,3	153,7	165,8
Total heating capacity	kW	58,4	71,0	83,4	102,6	138,0	152,6	172,4	197,1	213,6
Compressors power input	kW	13,8	15,8	19,9	21,9	31,9	34,8	41,1	43,4	47,8
DMEC		7,47	7,99	7,38	8,37	7,65	7,77	7,39	8,08	7,9
TEC		5,28	5,65	5,28	5,88	5,40	5,55	5,31	5,71	5,6
Evaporator water flow	m ³ /h	7,7	9,5	10,9	13,8	18,2	20,2	22,5	26,4	28,4
Evaporator pressure drop	kPa	62,0	50,2	59,3	64,9	61,0	49,8	57,5	43,1	47,3
Condenser water flow	m ³ /h	10,2	12,4	14,5	17,9	24,0	26,6	30,0	34,3	37,2
Condenser pressure drop	kPa	86,4	69,6	84,3	84,9	85,1	68,7	80,5	59,2	66,3
COMPRESSORS										
Compressors number	n	2	2	2	2	2	2	2	2	2
Refrigerant circuits	n	2	2	2	2	2	2	2	2	2
Part load	n	2	2	2	2	2	2	2	2	2
Refrigerant charge	kg	13,4	16,6	19,0	24,2	31,8	35,3	39,4	46,1	49,7
Oil charge	kg	20,0	20,0	34,0	34,0	34,0	34,0	34,0	34,0	40,0
FANS										
Fans number	n	4	4	4	6	6	6	6	4	4
Air flow	m ³ /h	16800	16352	16352	35000	35000	33600	33600	63504	63504
Power input for each fan	kW	0,35	0,35	0,35	0,35	0,35	0,35	0,35	1,05	1,05
Absorbed current for each fan	A	0,70	0,70	0,70	0,70	0,70	0,70	0,70	2,10	2,10
SOUND LEVEL										
Sound power level (ISO 3744)	dB(A)	84	84	87	87	89	89	90	90	84
Sound pressure level at 10 m (ISO 3744)	dB(A)	41	41	42	44	47	49	49	50	52
Power supply		400V - 3ph+N - 50Hz								
DIMENSIONS AND WEIGHT										
Length	mm	2300	2300	2300	3550	3550	3550	3550	3850	3850
Width	mm	1350	1350	1350	1550	1550	1550	1550	2250	2250
Height	mm	1550	1550	1550	1965	1965	1965	1965	2312	2312
Operation Weight	kg	1245	1310	1345	1997	2032	2065	2122	2750	2787
Shipping Weight	kg	1225	1286	1319	1967	2000	2029	2082	2706	2741

(1) Outdoor air temperature 35 °C – Outlet water temperature 12/7 °C

(2) Outdoor air temperature 7 °C - 90% UR - Outlet water temperature 45 °C

(3) Recovery water temperature 40/45 °C – Evaporator water temperature 12/7 °C

Technical data

GENERAL TECHNICAL DATA

CMAA SL		057	070	087	097	102	120	130	140
Cooling (1)									
Total cooling capacity	kW	199,7	247,7	305,2	337,6	359,1	418,5	457,0	482,0
Compressors power input	kW	62,5	73,3	97,1	101,5	106,2	127,1	131,6	139,9
Total EER		2,99	3,19	3,01	3,13	3,19	3,14	3,17	3,16
Water flow	m ³ /h	34,27	42,49	52,36	57,92	61,62	71,80	78,4	82,6
Water pressure drop	kPa	58,87	61,78	62,17	71,45	65,23	63,28	79,0	75,0
Heating (2)									
Total heating capacity	kW	239,0	283,2	351,5	388,3	413,1	478,5	537,0	564,0
Compressors power input	kW	67,7	78,0	96,1	105,0	111,9	125,2	132,5	142,8
Total COP		3,33	3,45	3,50	3,49	3,49	3,64	3,70	3,63
Water flow	m ³ /h	41,64	49,34	61,22	67,65	71,96	83,35	93,6	98,4
Water pressure drop	kPa	71,20	68,41	70,80	79,80	74,22	71,68	113,0	107,0
Heating + Cooling (3)									
Total cooling capacity	kW	201,2	249,5	307,6	340,0	361,9	421,6	504,3	529,5
Total heating capacity	kW	263,0	322,0	403,7	440,5	467,0	547,4	639,1	674,6
Compressors power input	kW	61,8	72,5	96,1	100,5	105,1	125,8	135,0	145,0
DMEC		7,5	7,9	7,4	7,8	7,9	7,7	8,5	8,3
TEC		5,4	5,6	5,4	5,6	5,6	5,6	6,0	5,9
Evaporator water flow	m ³ /h	34,5	42,8	52,8	58,4	62,1	72,3	86,5	90,9
Evaporator pressure drop	kPa	59,7	62,6	63,0	72,4	66,1	64,1	96,0	91,0
Condenser water flow	m ³ /h	45,8	56,1	70,3	76,7	81,4	95,4	111,3	117,5
Condenser pressure drop	kPa	87,2	89,4	94,4	103,8	95,9	94,8	104,0	103,0
COMPRESSORS									
Compressors number	n	4	4	4	4	4	4	6	6
Refrigerant circuits	n	2	2	2	2	2	2	3	3
Part load	n	4	4	4	4	4	4	11	6
Refrigerant charge	kg	60,4	74,8	92,3	102,0	108,6	126,5	123,0	123,0
Oil charge	kg	40,0	40,0	40,0	40,0	40,0	40,0	40,2	40,2
FANS									
Fans number	n	4	4	4	6	6	6	12	12
Air flow	m ³ /h	63504	61600	60032	89712	89712	86856	188608	188608
Power input for each fan	kW	1,05	1,05	1,05	1,05	1,05	1,05	1,05	1,05
Absorbed current for each fan	A	2,10	2,10	2,10	2,10	2,10	2,10	2,10	2,10
SOUND LEVEL									
Sound power level (ISO 3744)	dB(A)	84	87	87	89	89	90	90	91
Sound pressure level at 10 m (ISO 3744)	dB(A)	52	55	55	57	57	58	57	58
Power supply		400V - 3ph+N - 50Hz							
DIMENSIONS AND WEIGHT									
Length	mm	3850	3850	3850	4460	4460	4460	7035	7035
Width	mm	2250	2250	2250	2250	2250	2250	2260	2260
Height	mm	2312	2312	2312	2312	2312	2312	2400	2400
Operation Weight	kg	2962	3185	3495	3757	3875	4051	4897	4927
Shipping Weight	kg	2912	3131	3435	3695	3809	3981	4847	4877

(1) Outdoor air temperature 35 °C – Outlet water temperature 12/7 °C

(2) Outdoor air temperature 7 °C - 90% UR - Outlet water temperature 45 °C

(3) Recovery water temperature 40/45 °C – Evaporator water temperature 12/7 °C

Technical data

COOLING CAPACITY PERFORMANCE

CMAA

Twout	012							015						
	Outdoor air temperature							Outdoor air temperature						
	25	30	32	35	40	45	25	30	32	35	40	45		
6°C	Pf	kW	49,0	46,3	45,1	43,4	40,4	37,4	60,4	57,2	55,8	53,7	50,1	46,4
	Pa	kW	11,3	12,4	12,9	13,7	15,1	16,7	12,9	14,2	14,8	15,7	17,3	19,1
	qw	m³/h	8,40	7,93	7,74	7,44	6,93	6,43	10,36	9,80	9,57	9,21	8,59	7,99
	dpw	kPa	73,2	66,1	63,3	58,9	51,8	45,0	59,0	53,5	51,2	47,8	42,2	36,8
7°C	Pf	kW	50,3	47,6	46,4	44,6	41,5	38,4	62,1	58,8	57,4	55,2	51,5	47,7
	Pa	kW	11,4	12,5	13,0	13,8	15,2	16,8	13,0	14,3	14,9	15,8	17,4	19,3
	qw	m³/h	8,64	8,16	7,96	7,65	7,12	6,60	10,65	10,08	9,84	9,47	8,83	8,20
	dpw	kPa	77,1	69,6	66,5	62,0	54,5	47,2	62,1	56,2	53,8	50,2	44,3	38,6
8°C	Pf	kW	51,8	48,9	47,7	45,8	42,6	39,4	63,8	60,4	58,9	56,7	52,9	49,0
	Pa	kW	11,5	12,6	13,1	13,9	15,4	17,0	13,1	14,5	15,0	15,9	17,6	19,4
	qw	m³/h	8,88	8,39	8,19	7,87	7,32	6,78	10,95	10,36	10,11	9,73	9,07	8,42
	dpw	kPa	81,1	73,1	69,9	65,1	57,2	49,5	65,2	59,0	56,5	52,7	46,5	40,4
9°C	Pf	kW	53,2	50,2	49,0	47,1	43,8	40,4	65,5	62,0	60,5	58,2	54,3	50,3
	Pa	kW	11,6	12,8	13,2	14,0	15,5	17,1	13,3	14,6	15,2	16,1	17,7	19,6
	qw	m³/h	9,14	8,63	8,41	8,08	7,52	6,96	11,26	10,65	10,39	10,00	9,32	8,64
	dpw	kPa	85,2	76,9	73,5	68,4	60,1	51,8	68,5	62,0	59,4	55,4	48,8	42,4
10°C	Pf	kW	54,6	51,6	50,3	48,3	45,0	41,5	67,3	63,7	62,1	59,7	55,7	51,6
	Pa	kW	11,7	12,9	13,4	14,2	15,6	17,2	13,4	14,7	15,3	16,2	17,9	19,7
	qw	m³/h	9,40	8,88	8,66	8,31	7,74	7,14	11,58	10,95	10,69	10,28	9,58	8,87
	dpw	kPa	89,8	80,9	77,3	71,9	63,2	54,3	72,1	65,2	62,4	58,2	51,3	44,3
11°C	Pf	kW	56,1	53,0	51,7	49,6	46,2	42,6	69,1	65,3	63,8	61,3	57,2	52,9
	Pa	kW	11,8	13,0	13,5	14,3	15,7	17,4	13,5	14,8	15,4	16,3	18,0	19,9
	qw	m³/h	9,67	9,13	8,90	8,55	7,96	7,32	11,91	11,26	10,99	10,57	9,85	9,10
	dpw	kPa	94,5	85,1	81,3	75,7	66,5	56,8	75,9	68,6	65,6	61,2	53,9	46,4

Twout	018							023						
	Outdoor air temperature							Outdoor air temperature						
	25	30	32	35	40	45	25	30	32	35	40	45		
6°C	Pf	kW	69,9	66,0	64,3	61,8	57,5	53,0	87,4	83,2	81,4	78,6	73,4	68,1
	Pa	kW	16,3	17,9	18,6	19,7	21,8	24,1	17,8	19,6	20,4	21,7	24,1	26,8
	qw	m³/h	11,99	11,32	11,03	10,60	9,85	9,11	14,99	14,27	13,96	13,47	12,59	11,71
	dpw	kPa	70,4	63,5	60,7	56,4	49,5	42,8	74,8	68,5	65,8	61,7	54,7	47,7
7°C	Pf	kW	71,9	67,8	66,1	63,5	59,0	54,4	89,9	85,5	83,6	80,7	75,4	69,9
	Pa	kW	16,4	18,0	18,8	19,9	22,0	24,3	17,9	19,8	20,6	21,9	24,3	27,0
	qw	m³/h	12,33	11,64	11,35	10,90	10,13	9,36	15,42	14,67	14,35	13,85	12,94	12,03
	dpw	kPa	74,1	66,8	63,8	59,3	52,0	44,8	78,7	72,0	69,2	64,9	57,4	50,0
8°C	Pf	kW	73,9	69,7	67,9	65,2	60,6	55,8	92,4	87,9	85,9	82,9	77,4	71,8
	Pa	kW	16,5	18,2	18,9	20,1	22,2	24,5	18,1	19,9	20,8	22,1	24,5	27,2
	qw	m³/h	12,68	11,96	11,66	11,20	10,41	9,61	15,85	15,08	14,75	14,23	13,29	12,35
	dpw	kPa	77,9	70,2	67,0	62,3	54,6	47,0	82,8	75,7	72,7	68,1	60,3	52,4
9°C	Pf	kW	75,9	71,6	69,8	67,0	62,3	57,3	94,9	90,2	88,2	85,1	79,5	73,7
	Pa	kW	16,7	18,4	19,1	20,2	22,4	24,7	18,2	20,1	20,9	22,2	24,7	27,4
	qw	m³/h	13,04	12,30	11,99	11,51	10,70	9,86	16,30	15,50	15,16	14,62	13,65	12,67
	dpw	kPa	81,9	73,7	70,4	65,4	57,4	49,2	87,0	79,5	76,3	71,5	63,2	54,9
10°C	Pf	kW	78,0	73,5	71,6	68,8	63,9	58,8	97,5	92,7	90,6	87,4	81,6	75,6
	Pa	kW	16,8	18,5	19,2	20,4	22,5	24,9	18,4	20,3	21,1	22,4	24,9	27,6
	qw	m³/h	13,42	12,65	12,33	11,83	11,00	10,11	16,77	15,94	15,59	15,03	14,03	13,00
	dpw	kPa	86,3	77,6	74,1	68,8	60,3	51,5	91,6	83,6	80,3	75,2	66,4	57,5
11°C	Pf	kW	80,1	75,5	73,6	70,6	65,6	60,3	100,1	95,1	93,0	89,7	83,7	77,5
	Pa	kW	17,0	18,7	19,4	20,6	22,7	25,1	18,5	20,4	21,3	22,6	25,1	27,8
	qw	m³/h	13,80	13,01	12,68	12,17	11,31	10,37	17,25	16,40	16,03	15,45	14,42	13,34
	dpw	kPa	90,8	81,6	77,9	72,3	63,4	53,9	96,3	87,9	84,4	79,0	69,8	60,2

Twout = Leaving water temperature (°C) ; Pf = Cooling capacity (kW); Pa = Compressors power input (kW); qw = Water flow (m³/h); dpw = Pressure drop (kPa).
Water flow and pressure drop on heat exchanger calculated with ΔT= 5 °C.

Technical data

COOLING CAPACITY PERFORMANCE

CMAA

Twout	030							033						
	Outdoor air temperature							Outdoor air temperature						
			25	30	32	35	40	45	25	30	32	35	40	45
6 °C	Pf	kW	116,4	110,0	107,4	103,3	96,1	88,9	128,6	121,9	119,1	114,7	107,0	99,2
	Pa	kW	25,8	28,5	29,7	31,7	35,2	39,1	27,9	31,0	32,4	34,6	38,6	43,0
	qw	m ³ /h	19,96	18,87	18,41	17,71	16,48	15,29	22,06	20,90	20,42	19,66	18,35	17,06
	dpw	kPa	72,0	65,0	62,2	58,0	51,0	44,3	58,3	52,9	50,7	47,4	41,8	36,5
7 °C	Pf	kW	119,6	113,1	110,3	106,1	98,8	91,3	132,2	125,2	122,3	117,8	109,9	101,9
	Pa	kW	26,0	28,8	30,0	31,9	35,4	39,4	28,1	31,2	32,6	34,8	38,9	43,3
	qw	m ³ /h	20,53	19,40	18,93	18,20	16,95	15,70	22,68	21,49	20,99	20,21	18,86	17,52
	dpw	kPa	75,7	68,4	65,4	61,0	53,6	46,4	61,3	55,6	53,3	49,8	44,0	38,3
8 °C	Pf	kW	123,0	116,2	113,4	109,0	101,5	93,7	135,8	128,6	125,6	121,0	112,9	104,6
	Pa	kW	26,2	29,0	30,2	32,1	35,7	39,7	28,3	31,5	32,8	35,0	39,1	43,6
	qw	m ³ /h	21,11	19,95	19,46	18,71	17,42	16,12	23,32	22,09	21,57	20,77	19,38	17,99
	dpw	kPa	79,6	71,9	68,8	64,1	56,3	48,7	64,4	58,4	56,0	52,3	46,2	40,2
9 °C	Pf	kW	126,3	119,4	116,5	111,9	104,2	96,2	139,5	132,1	129,0	124,2	115,9	107,4
	Pa	kW	26,4	29,2	30,4	32,4	36,0	40,0	28,5	31,7	33,1	35,3	39,4	43,9
	qw	m ³ /h	21,70	20,51	20,01	19,23	17,90	16,54	23,96	22,70	22,16	21,34	19,90	18,47
	dpw	kPa	83,7	75,6	72,3	67,3	59,1	51,0	67,7	61,4	58,8	54,9	48,5	42,1
10 °C	Pf	kW	129,8	122,6	119,6	114,9	107,0	98,7	143,3	135,7	132,5	127,5	118,9	110,2
	Pa	kW	26,6	29,4	30,7	32,6	36,3	40,3	28,7	31,9	33,3	35,6	39,7	44,3
	qw	m ³ /h	22,33	21,10	20,58	19,78	18,41	16,98	24,65	23,34	22,79	21,94	20,46	18,95
	dpw	kPa	88,1	79,5	76,0	70,8	62,2	53,4	71,2	64,5	61,8	57,7	50,9	44,1
11 °C	Pf	kW	133,3	125,9	122,8	118,0	109,8	101,3	147,1	139,3	136,0	130,9	122,1	113,0
	Pa	kW	26,8	29,7	30,9	32,9	36,5	40,6	29,0	32,2	33,6	35,8	40,0	44,6
	qw	m ³ /h	22,98	21,70	21,16	20,33	18,92	17,42	25,35	24,00	23,43	22,55	21,04	19,44
	dpw	kPa	92,7	83,6	80,0	74,4	65,4	55,9	74,9	67,9	65,0	60,7	53,5	46,1

Twout	037							044						
	Outdoor air temperature							Outdoor air temperature						
			25	30	32	35	40	45	25	30	32	35	40	45
6 °C	Pf	kW	144,1	136,3	133,0	127,9	118,9	109,6	166,2	158,4	155,0	149,7	140,1	130,1
	Pa	kW	33,3	36,8	38,4	40,8	45,3	50,3	35,5	39,1	40,7	43,1	47,6	52,6
	qw	m ³ /h	24,70	23,38	22,81	21,93	20,40	18,86	28,50	27,16	26,58	25,67	24,03	22,38
	dpw	kPa	67,8	61,4	58,8	54,8	48,0	41,5	49,6	45,5	43,8	41,1	36,5	31,9
7 °C	Pf	kW	148,1	140,1	136,7	131,4	122,2	112,5	170,7	162,7	159,2	153,7	143,8	133,6
	Pa	kW	33,5	37,1	38,6	41,1	45,7	50,7	35,8	39,4	40,9	43,4	47,9	52,9
	qw	m ³ /h	25,40	24,04	23,45	22,55	20,96	19,36	29,29	27,91	27,31	26,37	24,68	22,98
	dpw	kPa	71,3	64,6	61,8	57,5	50,5	43,5	52,1	47,8	46,0	43,1	38,3	33,5
8 °C	Pf	kW	152,1	143,9	140,4	135,0	125,5	115,5	175,3	167,0	163,4	157,8	147,6	137,1
	Pa	kW	33,7	37,3	38,9	41,4	46,0	51,0	36,0	39,6	41,2	43,7	48,3	53,3
	qw	m ³ /h	26,12	24,71	24,11	23,17	21,54	19,87	30,10	28,68	28,06	27,09	25,35	23,58
	dpw	kPa	75,0	67,9	64,9	60,4	53,0	45,5	54,8	50,2	48,2	45,3	40,2	35,1
9 °C	Pf	kW	156,3	147,8	144,2	138,6	128,8	118,5	180,1	171,5	167,8	162,0	151,5	140,6
	Pa	kW	34,0	37,6	39,2	41,7	46,3	51,4	36,2	39,9	41,5	44,0	48,6	53,6
	qw	m ³ /h	26,85	25,39	24,77	23,80	22,13	20,39	30,93	29,46	28,82	27,82	26,02	24,19
	dpw	kPa	78,8	71,3	68,2	63,4	55,6	47,7	57,5	52,6	50,6	47,5	42,1	36,7
10 °C	Pf	kW	160,5	151,8	148,1	142,2	132,2	121,6	184,9	176,0	172,2	166,2	155,4	144,3
	Pa	kW	34,2	37,8	39,4	42,0	46,6	51,7	36,5	40,1	41,7	44,3	48,9	54,0
	qw	m ³ /h	27,62	26,12	25,48	24,47	22,75	20,91	31,81	30,28	29,63	28,59	26,74	24,81
	dpw	kPa	82,9	75,0	71,7	66,7	58,5	49,9	60,5	55,3	53,2	49,9	44,2	38,4
11 °C	Pf	kW	164,9	155,8	152,0	146,0	135,7	124,7	189,8	180,6	176,7	170,5	159,4	148,0
	Pa	kW	34,4	38,1	39,7	42,2	46,9	52,1	36,7	40,4	42,0	44,6	49,2	54,4
	qw	m ³ /h	28,41	26,85	26,19	25,16	23,39	21,45	32,70	31,13	30,45	29,38	27,47	25,45
	dpw	kPa	87,3	78,8	75,4	70,1	61,5	52,2	63,6	58,2	55,9	52,4	46,4	40,2

Twout = Leaving water temperature (°C) ; Pf = Cooling capacity (kW) ; Pa = Compressors power input (kW) ; qw = Water flow (m³/h) ; dpw = Pressure drop (kPa).
Water flow and pressure drop on heat exchanger calculated with $\Delta T = 5$ °C.

COOLING CAPACITY PERFORMANCE

CMAA

Twout	047							057						
	Outdoor air temperature							Outdoor air temperature						
	25	30	32	35	40	45	25	30	32	35	40	45		
6°C	Pf	kW	180,0	171,2	167,4	161,5	151,0	139,8	220,8	208,7	203,7	195,8	182,3	168,3
	Pa	kW	39,1	43,1	44,8	47,5	52,4	57,8	49,7	55,2	57,6	61,4	68,4	76,2
	qw	m³/h	30,87	29,36	28,71	27,69	25,90	24,05	37,86	35,79	34,92	33,58	31,26	28,95
	dpw	kPa	54,8	50,1	48,1	45,1	39,9	34,7	70,4	63,7	60,9	56,8	49,9	43,2
7°C	Pf	kW	184,9	175,8	171,9	165,8	154,9	143,6	226,9	214,5	209,3	201,2	187,3	172,8
	Pa	kW	39,4	43,4	45,1	47,8	52,8	58,2	50,0	55,6	58,0	61,8	68,9	76,7
	qw	m³/h	31,73	30,17	29,50	28,45	26,57	24,69	38,93	36,80	35,91	34,52	32,13	29,72
	dpw	kPa	57,6	52,6	50,5	47,3	41,8	36,4	74,1	66,9	64,0	59,7	52,4	45,3
8°C	Pf	kW	189,9	180,5	176,5	170,2	158,9	147,3	233,1	220,4	215,0	206,7	192,4	177,4
	Pa	kW	39,6	43,7	45,4	48,1	53,1	58,7	50,4	55,9	58,4	62,2	69,3	77,2
	qw	m³/h	32,61	30,99	30,30	29,22	27,28	25,34	40,03	37,83	36,91	35,48	33,02	30,51
	dpw	kPa	60,4	55,2	53,0	49,6	43,8	38,2	77,9	70,3	67,3	62,7	55,1	47,5
9°C	Pf	kW	195,0	185,3	181,2	174,6	163,0	151,1	239,5	226,3	220,8	212,2	197,5	182,1
	Pa	kW	39,9	44,0	45,7	48,5	53,5	59,1	50,8	56,3	58,8	62,7	69,8	77,7
	qw	m³/h	33,50	31,83	31,12	30,00	28,00	25,99	41,15	38,88	37,93	36,46	33,93	31,32
	dpw	kPa	63,5	57,9	55,6	52,0	46,0	39,9	81,8	73,9	70,7	65,8	57,8	49,7
10°C	Pf	kW	200,2	190,2	185,9	179,1	167,2	155,0	246,0	232,4	226,7	217,9	202,8	186,8
	Pa	kW	40,2	44,3	46,0	48,8	53,9	59,5	51,1	56,7	59,2	63,1	70,3	78,3
	qw	m³/h	34,45	32,72	31,98	30,82	28,77	26,65	42,33	39,99	39,01	37,49	34,89	32,13
	dpw	kPa	66,7	60,8	58,4	54,6	48,3	41,8	86,1	77,7	74,3	69,2	60,8	52,1
11°C	Pf	kW	205,5	195,1	190,7	183,8	171,5	158,9	252,7	238,6	232,8	223,6	208,2	191,6
	Pa	kW	40,5	44,6	46,4	49,2	54,3	59,9	51,5	57,1	59,6	63,5	70,8	78,8
	qw	m³/h	35,41	33,63	32,87	31,67	29,56	27,33	43,54	41,13	40,12	38,54	35,87	32,95
	dpw	kPa	70,1	63,9	61,3	57,4	50,6	43,7	90,6	81,8	78,2	72,7	63,9	54,5

Twout	070							087						
	Outdoor air temperature							Outdoor air temperature						
	25	30	32	35	40	45	25	30	32	35	40	45		
6°C	Pf	kW	274,1	259,1	252,7	243,0	226,1	208,6	338,7	320,0	312,1	299,5	277,8	254,5
	Pa	kW	58,0	64,5	67,4	72,0	80,4	89,7	78,4	86,4	89,9	95,5	105,6	116,7
	qw	m³/h	47,00	44,42	43,34	41,66	38,77	35,89	58,08	54,88	53,51	51,36	47,64	43,77
	dpw	kPa	74,1	66,9	64,0	59,6	52,4	45,3	74,9	67,7	64,7	60,1	52,5	44,7
7°C	Pf	kW	281,6	266,1	259,6	249,5	232,2	214,1	347,9	328,7	320,5	307,5	285,2	261,0
	Pa	kW	58,4	65,0	67,9	72,5	81,0	90,4	78,9	87,0	90,5	96,1	106,3	117,5
	qw	m³/h	48,32	45,66	44,54	42,81	39,84	36,83	59,70	56,40	54,98	52,76	48,94	44,90
	dpw	kPa	77,8	70,3	67,2	62,6	55,0	47,5	78,7	71,1	67,9	63,0	55,1	46,8
8°C	Pf	kW	289,2	273,3	266,6	256,2	238,4	219,7	357,3	337,5	329,0	315,7	292,8	267,7
	Pa	kW	58,9	65,5	68,4	73,0	81,6	91,0	79,4	87,6	91,1	96,7	107,1	118,4
	qw	m³/h	49,66	46,91	45,76	43,98	40,92	37,79	61,35	57,94	56,48	54,20	50,26	46,04
	dpw	kPa	81,8	73,8	70,6	65,7	57,7	49,7	82,7	74,6	71,3	66,1	57,8	49,0
9°C	Pf	kW	297,0	280,6	273,7	262,9	244,7	225,4	366,9	346,4	337,7	324,0	300,4	274,5
	Pa	kW	59,3	66,0	68,9	73,5	82,1	91,6	80,0	88,2	91,7	97,4	107,8	119,2
	qw	m³/h	51,02	48,19	47,01	45,17	42,03	38,77	63,03	59,51	58,01	55,65	51,60	47,21
	dpw	kPa	85,9	77,5	74,1	69,0	60,6	52,0	86,8	78,3	74,8	69,4	60,6	51,2
10°C	Pf	kW	305,0	288,0	280,9	269,8	251,1	231,2	376,7	355,6	346,5	332,4	308,1	281,5
	Pa	kW	59,8	66,5	69,4	74,1	82,7	92,3	80,5	88,7	92,3	98,0	108,5	120,0
	qw	m³/h	52,47	49,55	48,33	46,43	43,20	39,76	64,81	61,18	59,62	57,19	53,01	48,41
	dpw	kPa	90,3	81,5	77,9	72,5	63,7	54,4	91,3	82,3	78,5	72,9	63,6	53,6
11°C	Pf	kW	313,0	295,5	288,2	276,8	257,6	237,0	386,6	364,8	355,5	341,0	315,9	288,5
	Pa	kW	60,2	66,9	69,9	74,6	83,3	92,9	81,0	89,3	92,9	98,7	109,2	120,8
	qw	m³/h	53,95	50,93	49,67	47,71	44,40	40,77	66,63	62,88	61,27	58,77	54,45	49,63
	dpw	kPa	94,9	85,6	81,8	76,1	66,9	56,9	95,9	86,4	82,5	76,5	66,7	56,0

Twout = Leaving water temperature (°C) ; Pf = Cooling capacity (kW); Pa = Compressors power input (kW); qw = Water flow (m³/h); dpw = Pressure drop (kPa).
 Water flow and pressure drop on heat exchanger calculated with ΔT= 5 °C.

Technical data

COOLING CAPACITY PERFORMANCE

CMAA

Twout	097								102					
	Outdoor air temperature								Outdoor air temperature					
	25	30	32	35	40	45	25	30	32	35	40	45		
6 °C	Pf	kW	372,5	352,9	344,5	331,3	308,1	284,2	398,4	376,5	367,2	352,6	327,5	301,3
	Pa	kW	82,1	90,5	94,1	99,8	110,3	121,8	85,9	94,6	98,4	104,3	115,2	127,3
	qw	m ³ /h	63,88	60,51	59,07	56,81	52,84	48,88	68,31	64,56	62,97	60,47	56,16	51,82
	dpw	kPa	85,2	77,3	74,0	69,0	60,5	52,3	78,5	70,9	67,8	63,1	55,2	47,5
7 °C	Pf	kW	382,7	362,4	353,7	340,1	316,3	291,5	409,1	386,5	376,9	361,9	336,1	308,9
	Pa	kW	82,7	91,1	94,7	100,5	111,1	122,7	86,5	95,3	99,1	105,1	116,1	128,3
	qw	m ³ /h	65,67	62,19	60,69	58,35	54,27	50,14	70,20	66,32	64,67	62,10	57,66	53,13
	dpw	kPa	89,5	81,2	77,7	72,4	63,5	54,8	82,5	74,5	71,2	66,1	57,9	49,6
8 °C	Pf	kW	393,1	372,1	363,2	349,1	324,6	299,0	420,1	396,7	386,8	371,3	344,8	316,7
	Pa	kW	83,3	91,8	95,4	101,2	111,9	123,6	87,2	96,0	99,8	105,9	117,0	129,2
	qw	m ³ /h	67,48	63,89	62,35	59,93	55,72	51,43	72,12	68,11	66,41	63,75	59,19	54,47
	dpw	kPa	94,1	85,2	81,6	76,0	66,6	57,3	86,6	78,1	74,6	69,3	60,7	51,9
9 °C	Pf	kW	403,6	382,0	372,7	358,2	333,0	306,6	431,2	407,1	396,9	380,9	353,6	324,6
	Pa	kW	83,9	92,4	96,1	101,9	112,7	124,5	87,8	96,8	100,6	106,7	117,9	130,2
	qw	m ³ /h	69,34	65,62	64,03	61,53	57,21	52,73	74,08	69,93	68,18	65,43	60,75	55,83
	dpw	kPa	98,8	89,4	85,6	79,7	69,9	59,9	90,9	81,9	78,3	72,7	63,6	54,2
10 °C	Pf	kW	414,4	392,0	382,5	367,5	341,6	314,3	442,6	417,7	407,1	390,6	362,7	332,6
	Pa	kW	84,5	93,1	96,8	102,7	113,5	125,4	88,5	97,5	101,4	107,5	118,8	131,2
	qw	m ³ /h	71,30	67,45	65,81	63,23	58,78	54,06	76,15	71,87	70,05	67,21	62,40	57,21
	dpw	kPa	103,9	94,0	89,9	83,7	73,4	62,7	95,5	86,0	82,2	76,3	66,7	56,7
11 °C	Pf	kW	425,4	402,2	392,4	376,9	350,4	322,2	454,1	428,4	417,5	400,6	371,9	340,7
	Pa	kW	85,0	93,7	97,5	103,4	114,3	126,3	89,1	98,2	102,1	108,3	119,7	132,2
	qw	m ³ /h	73,31	69,33	67,63	64,97	60,39	55,41	78,26	73,84	71,96	69,04	64,09	58,61
	dpw	kPa	109,2	98,7	94,4	87,8	77,0	65,5	100,3	90,3	86,2	80,0	70,0	59,2

Twout	120							130						
	Outdoor air temperature							Outdoor air temperature						
	25	30	32	35	40	45	25	30	32	35	40	45		
6 °C	Pf	kW	464,5	438,6	427,8	411,1	382,7	352,9	508,6	479,5	467,2	448,1	415,6	380,6
	Pa	kW	103,5	113,2	117,6	124,8	138,5	154,2	106,3	117,2	121,9	129,4	143,2	158,7
	qw	m ³ /h	79,65	75,21	73,36	70,49	65,62	60,69	87,22	82,23	80,12	76,84	71,27	65,27
	dpw	kPa	76,3	68,8	65,8	61,2	53,8	46,5	97,7	86,8	82,4	75,8	65,2	54,7
7 °C	Pf	kW	476,7	450,0	438,9	421,6	392,4	361,6	522,5	492,4	479,8	460,0	426,7	390,5
	Pa	kW	104,3	114,1	118,5	125,8	139,7	155,6	107,1	118,1	122,8	130,4	144,3	159,9
	qw	m ³ /h	81,80	77,21	75,30	72,34	67,34	62,20	89,65	84,49	82,32	78,93	73,21	67,01
	dpw	kPa	80,0	72,1	68,9	64,1	56,4	48,6	103,2	91,7	87,0	80,0	68,8	57,7
8 °C	Pf	kW	489,2	461,6	450,1	432,3	402,4	370,5	536,6	505,6	492,5	472,2	437,9	400,6
	Pa	kW	105,1	115,0	119,5	126,8	140,9	156,9	107,9	119,0	123,8	131,4	145,4	161,1
	qw	m ³ /h	83,98	79,25	77,28	74,22	69,09	63,73	92,13	86,80	84,55	81,06	75,18	68,78
	dpw	kPa	83,9	75,6	72,2	67,2	59,0	50,7	109,0	96,8	91,8	84,4	72,6	60,7
9 °C	Pf	kW	501,9	473,5	461,6	443,4	412,6	379,5	551,0	519,0	505,5	484,6	449,3	411,1
	Pa	kW	105,9	115,9	120,4	127,9	142,1	158,3	108,7	119,9	124,7	132,4	146,5	162,3
	qw	m ³ /h	86,21	81,33	79,29	76,17	70,87	65,28	94,65	89,15	86,83	83,24	77,18	70,62
	dpw	kPa	88,0	79,2	75,7	70,4	61,8	53,0	115,0	102,1	96,8	89,0	76,5	64,0
10 °C	Pf	kW	514,7	485,5	473,3	454,4	422,8	388,8	565,6	532,6	518,7	497,2	460,8	421,7
	Pa	kW	106,7	116,8	121,4	128,9	143,3	159,7	109,6	120,8	125,7	133,4	147,6	163,5
	qw	m ³ /h	88,57	83,54	81,43	78,19	72,76	66,87	97,32	91,64	89,24	85,55	79,29	72,56
	dpw	kPa	92,3	83,1	79,4	73,8	64,8	55,3	121,6	107,8	102,3	94,0	80,7	67,6
11 °C	Pf	kW	527,9	497,7	485,1	465,8	433,2	398,3	580,5	546,4	532,1	510,1	472,5	432,5
	Pa	kW	107,5	117,8	122,4	130,0	144,6	161,2	110,4	121,8	126,7	134,4	148,7	164,8
	qw	m ³ /h	90,98	85,78	83,61	80,28	74,67	68,50	100,05	94,18	91,70	87,91	81,44	74,55
	dpw	kPa	96,9	87,2	83,2	77,4	67,9	57,7	128,5	113,9	108,0	99,2	85,2	71,4

Twout = Leaving water temperature (°C) ; Pf = Cooling capacity (kW) ; Pa = Compressors power input (kW) ; qw = Water flow (m³/h) ; dpw = Pressure drop (kPa).
Water flow and pressure drop on heat exchanger calculated with $\Delta T = 5$ °C.

COOLING CAPACITY PERFORMANCE
CMAA

Twout	140							
	Outdoor air temperature							
			25	30	32	35	40	45
6°C	Pf	kW	538,8	506,9	493,4	472,4	436,6	397,7
	Pa	kW	113,0	124,5	129,5	137,5	152,1	168,7
	qw	m ³ /h	92,39	86,92	84,60	81,01	74,87	68,20
	dpw	kPa	93,7	82,9	78,6	72,0	61,5	51,0
7°C	Pf	kW	553,5	520,5	506,6	485,0	448,0	408,2
	Pa	kW	113,8	125,5	130,5	138,5	153,2	170,0
	qw	m ³ /h	94,97	89,31	86,92	83,22	76,87	70,03
	dpw	kPa	99,0	87,5	82,9	76,0	64,9	53,8
8°C	Pf	kW	568,5	534,4	520,0	497,8	459,7	418,8
	Pa	kW	114,7	126,4	131,5	139,5	154,4	171,2
	qw	m ³ /h	97,59	91,75	89,27	85,47	78,91	71,90
	dpw	kPa	104,5	92,4	87,5	80,2	68,3	56,7
9°C	Pf	kW	583,7	548,5	533,6	510,9	471,5	429,7
	Pa	kW	115,6	127,4	132,5	140,6	155,6	172,5
	qw	m ³ /h	100,26	94,23	91,67	87,76	80,99	73,81
	dpw	kPa	110,3	97,4	92,2	84,5	72,0	59,8
10°C	Pf	kW	599,2	562,9	547,5	524,2	483,5	440,8
	Pa	kW	116,4	128,3	133,5	141,7	156,7	173,8
	qw	m ³ /h	103,10	96,86	94,21	90,19	83,20	75,85
	dpw	kPa	116,7	103,0	97,4	89,3	76,0	63,1
11°C	Pf	kW	615,0	577,5	561,7	537,7	495,8	452,2
	Pa	kW	117,3	129,3	134,5	142,8	157,9	175,1
	qw	m ³ /h	105,99	99,54	96,80	92,67	85,44	77,93
	dpw	kPa	123,3	108,7	102,8	94,3	80,1	66,7

Twout = Leaving water temperature (°C) ; **Pf** = Cooling capacity (kW); **Pa** = Compressors power input (kW); **qw** = Water flow (m³/h); **dpw** = Pressure drop (kPa).
 Water flow and pressure drop on heat exchanger calculated with T= 5 °C.

Technical data

HEATING CAPACITY PERFORMANCE

CMAA

Ta /R.U.			012						015					
			Tw out						Tw out					
			30	35	40	45	50	55	30	35	40	45	50	55
-5°C / 90 %	Pt	kW	40,3	39,6	39,0	38,5	38,2	38,0	48,5	47,6	46,9	46,2	45,6	45,2
	Pat	kW	10,8	11,9	13,2	14,6	16,3	18,2	12,4	13,7	15,1	16,7	18,6	20,7
	qw	m³/h	6,97	6,88	6,79	6,71	6,79	6,64	8,39	8,27	8,15	8,04	8,11	7,89
	dpw	kPa	41,0	39,9	38,9	38,0	38,9	37,2	32,4	31,4	30,6	29,8	30,3	28,7
0°C / 90%	Pt	kW	46,3	45,3	44,5	43,6	42,9	42,3	55,8	54,6	53,5	52,4	51,5	50,5
	Pat	kW	11,0	12,1	13,3	14,7	16,3	18,2	12,6	13,8	15,3	16,9	18,7	20,8
	qw	m³/h	8,01	7,87	7,73	7,60	7,63	7,40	9,65	9,48	9,30	9,13	9,15	8,84
	dpw	kPa	54,1	52,2	50,4	48,7	49,1	46,1	42,9	41,3	39,8	38,3	38,5	35,9
7°C / 90%	Pt	kW	55,8	54,4	53,1	51,7	50,5	49,3	67,3	65,7	64,0	62,3	60,7	59,1
	Pat	kW	11,2	12,3	13,5	14,9	16,5	18,3	12,8	14,1	15,5	17,1	18,9	21,0
	qw	m³/h	9,66	9,45	9,23	9,01	8,97	8,61	11,65	11,39	11,13	10,85	10,79	10,34
	dpw	kPa	78,6	75,2	71,8	68,4	67,8	62,6	62,5	59,7	56,9	54,2	53,6	49,2
10°C / 90%	Pt	kW	60,4	58,9	57,3	55,7	54,2	52,7	72,9	71,1	69,1	67,1	65,3	63,4
	Pat	kW	11,2	12,4	13,6	15,0	16,6	18,4	12,9	14,1	15,6	17,2	19,0	21,0
	qw	m³/h	10,46	10,21	9,96	9,70	9,63	9,22	12,63	12,33	12,02	11,69	11,60	11,08
	dpw	kPa	92,3	88,0	83,6	79,3	78,2	71,6	73,3	69,9	66,4	62,9	61,9	56,5
15°C / 90%	Pt	kW	68,8	66,9	64,9	62,8	60,9	59,0	83,1	80,8	78,4	75,9	73,5	71,1
	Pat	kW	11,4	12,5	13,7	15,1	16,7	18,5	13,0	14,3	15,7	17,3	19,1	21,2
	qw	m³/h	11,92	11,61	11,28	10,95	10,83	10,31	14,39	14,02	13,63	13,22	13,06	12,42
	dpw	kPa	119,7	113,6	107,3	101,1	98,8	89,7	95,3	90,4	85,4	80,4	78,5	71,0

Ta /R.U.			018						023					
			Tw out						Tw out					
			30	35	40	45	50	55	30	35	40	45	50	55
-5°C / 90 %	Pt	kW	56,9	56,0	55,2	54,4	53,9	53,4	72,9	71,8	70,7	69,7	68,9	68,1
	Pat	kW	15,1	16,7	18,5	20,5	22,8	25,4	18,4	20,4	22,7	25,3	28,3	31,8
	qw	m³/h	9,85	9,72	9,59	9,48	9,58	9,35	12,62	12,46	12,30	12,14	12,24	11,92
	dpw	kPa	39,2	38,1	37,2	36,3	37,1	35,3	42,8	41,7	40,7	39,6	40,3	38,1
0°C / 90%	Pt	kW	65,5	64,2	62,9	61,7	60,7	59,7	83,4	81,9	80,3	78,6	77,2	75,7
	Pat	kW	15,3	16,9	18,7	20,7	22,9	25,5	18,4	20,4	22,7	25,3	28,3	31,7
	qw	m³/h	11,33	11,14	10,94	10,75	10,79	10,44	14,44	14,21	13,95	13,69	13,71	13,24
	dpw	kPa	51,9	50,1	48,3	46,7	47,0	44,0	56,0	54,2	52,3	50,4	50,5	47,1
7°C / 90%	Pt	kW	79,0	77,1	75,2	73,3	71,5	69,7	100,1	97,8	95,4	92,8	90,4	87,9
	Pat	kW	15,6	17,2	18,9	20,9	23,1	25,7	18,6	20,5	22,8	25,3	28,2	31,5
	qw	m³/h	13,68	13,39	13,08	12,77	12,71	12,19	17,33	16,97	16,58	16,17	16,06	15,36
	dpw	kPa	75,6	72,4	69,1	65,8	65,3	60,0	80,7	77,4	73,9	70,2	69,3	63,4
10°C / 90%	Pt	kW	85,6	83,5	81,2	79,0	76,8	74,7	108,3	105,6	102,8	99,8	96,9	93,9
	Pat	kW	15,7	17,3	19,0	21,0	23,2	25,8	18,7	20,6	22,8	25,3	28,2	31,5
	qw	m³/h	14,83	14,48	14,12	13,75	13,65	13,05	18,75	18,33	17,87	17,38	17,21	16,41
	dpw	kPa	88,8	84,7	80,6	76,4	75,3	68,8	94,5	90,3	85,8	81,1	79,6	72,4
15°C / 90%	Pt	kW	97,6	94,9	92,1	89,2	86,5	83,6	123,1	119,8	116,2	112,4	108,8	104,9
	Pat	kW	15,9	17,4	19,2	21,2	23,4	25,9	18,9	20,7	22,9	25,4	28,2	31,4
	qw	m³/h	16,91	16,47	16,02	15,54	15,37	14,62	21,32	20,79	20,21	19,59	19,32	18,34
	dpw	kPa	115,4	109,6	103,6	97,6	95,4	86,4	122,1	116,2	109,8	103,1	100,3	90,3

Ta /R.U. = Outdoor air temperature (°C)/Relative humidity (%) Twout = Outlet water temperature (°C); Pt = Heating capacity (kW); Pa = Compressors power input (kW); qw = Water flow (m³/h); dpw = Pressure drop (kPa). Water flow and pressure drop on heat exchanger calculated with $\Delta T = 5^\circ\text{C}$.

Technical data

HEATING CAPACITY PERFORMANCE

CMAA

Ta /R.U.			030						033					
			Tw out						Tw out					
			30	35	40	45	50	55	30	35	40	45	50	55
-5°C / 90 %	Pt	kW	92,5	91,1	89,9	88,9	88,1	87,5	109,7	108,0	106,5	105,2	104,1	103,0
	Pat	kW	25,6	28,4	31,5	35,1	39,1	43,6	28,2	31,5	35,1	39,1	43,7	48,7
	qw	m ³ /h	16,01	15,81	15,63	15,48	15,66	15,29	18,99	18,75	18,52	18,32	18,50	18,00
	dpw	kPa	38,2	37,2	36,4	35,7	36,5	34,8	35,5	34,6	33,8	33,0	33,7	31,9
0°C / 90%	Pt	kW	106,0	104,0	102,2	100,4	98,9	97,5	125,5	123,2	121,0	118,8	116,9	114,9
	Pat	kW	25,7	28,5	31,6	35,2	39,2	43,7	28,1	31,4	35,0	39,1	43,7	48,8
	qw	m ³ /h	18,34	18,05	17,76	17,49	17,58	17,04	21,73	21,38	21,03	20,70	20,78	20,09
	dpw	kPa	50,1	48,5	47,0	45,6	46,0	43,3	46,4	44,9	43,5	42,1	42,5	39,7
7°C / 90%	Pt	kW	127,4	124,5	121,6	118,7	116,1	113,4	150,7	147,3	143,9	140,4	137,2	133,8
	Pat	kW	25,9	28,7	31,8	35,3	39,3	43,8	28,1	31,3	34,9	39,0	43,6	48,8
	qw	m ³ /h	22,06	21,61	21,14	20,68	20,62	19,82	26,10	25,56	25,01	24,46	24,39	23,40
	dpw	kPa	72,5	69,6	66,6	63,7	63,4	58,5	67,0	64,3	61,5	58,8	58,5	53,9
10°C / 90%	Pt	kW	137,9	134,6	131,1	127,7	124,5	121,2	163,1	159,1	155,1	151,0	147,2	143,1
	Pat	kW	26,0	28,7	31,8	35,3	39,3	43,8	28,1	31,3	34,9	38,9	43,5	48,7
	qw	m ³ /h	23,88	23,35	22,80	22,24	22,12	21,19	28,24	27,61	26,96	26,30	26,15	25,02
	dpw	kPa	85,0	81,2	77,4	73,7	72,9	66,9	78,4	75,0	71,5	68,0	67,3	61,6
15°C / 90%	Pt	kW	157,0	152,8	148,4	144,0	139,8	135,5	185,6	180,6	175,5	170,2	165,3	160,0
	Pat	kW	26,1	28,9	31,9	35,4	39,4	43,9	28,3	31,3	34,8	38,8	43,4	48,5
	qw	m ³ /h	27,19	26,51	25,80	25,08	24,84	23,69	32,14	31,34	30,51	29,65	29,37	27,97
	dpw	kPa	110,1	104,7	99,2	93,7	91,9	83,6	101,6	96,6	91,5	86,5	84,8	77,0

Ta /R.U.			037						044					
			Tw out						Tw out					
			30	35	40	45	50	55	30	35	40	45	50	55
-5°C / 90 %	Pt	kW	122,5	120,7	119,0	117,3	115,9	114,5	143,6	141,3	139,0	136,7	134,4	132,2
	Pat	kW	32,7	36,2	40,1	44,5	49,4	54,9	37,3	41,0	45,2	49,9	55,1	61,1
	qw	m ³ /h	21,20	20,94	20,68	20,43	20,60	20,02	24,85	24,51	24,17	23,81	23,89	23,11
	dpw	kPa	40,6	39,6	38,6	37,7	38,3	36,2	31,4	30,5	29,7	28,8	29,0	27,1
0°C / 90%	Pt	kW	140,0	137,5	135,0	132,4	130,1	127,6	164,1	161,1	158,0	154,7	151,3	147,9
	Pat	kW	32,7	36,2	40,1	44,5	49,5	55,0	37,3	41,1	45,3	50,0	55,3	61,2
	qw	m ³ /h	24,23	23,85	23,46	23,07	23,12	22,32	28,42	27,96	27,47	26,94	26,89	25,87
	dpw	kPa	53,0	51,3	49,7	48,0	48,2	44,9	41,0	39,7	38,3	36,9	36,7	34,0
7°C / 90%	Pt	kW	167,8	164,2	160,4	156,4	152,6	148,5	196,7	192,6	188,1	183,2	178,2	173,0
	Pat	kW	32,7	36,2	40,1	44,5	49,5	55,0	37,4	41,1	45,3	50,0	55,3	61,2
	qw	m ³ /h	29,06	28,49	27,88	27,24	27,12	25,97	34,06	33,41	32,70	31,91	31,66	30,24
	dpw	kPa	76,2	73,2	70,1	67,0	66,4	60,9	59,0	56,7	54,3	51,7	50,9	46,5
10°C / 90%	Pt	kW	181,5	177,2	172,8	168,1	163,6	158,8	212,7	207,9	202,8	197,1	191,3	185,2
	Pat	kW	32,7	36,2	40,1	44,5	49,4	55,0	37,4	41,1	45,3	50,0	55,3	61,2
	qw	m ³ /h	31,42	30,75	30,04	29,29	29,08	27,76	36,82	36,07	35,25	34,34	33,99	32,39
	dpw	kPa	89,1	85,3	81,4	77,4	76,3	69,5	68,9	66,1	63,1	59,9	58,7	53,3
15°C / 90%	Pt	kW	206,3	201,0	195,4	189,5	183,7	177,5	241,5	235,7	229,4	222,4	215,2	207,6
	Pat	kW	32,7	36,1	40,0	44,4	49,3	54,9	37,3	41,1	45,2	49,9	55,2	61,1
	qw	m ³ /h	35,71	34,87	33,97	33,00	32,64	31,03	41,82	40,89	39,88	38,74	38,23	36,30
	dpw	kPa	115,1	109,7	104,1	98,3	96,1	86,9	88,8	85,0	80,8	76,2	74,3	66,9

Ta /R.U. = Outdoor air temperature (°C)/Relative humidity (%) Twout = Outlet water temperature (°C); Pt = Heating capacity (kW); Pa = Compressors power input (kW); qw = Water flow (m³/h); dpw = Pressure drop (kPa). Water flow and pressure drop on heat exchanger calculated with ΔT= 5 °C.

Technical data

HEATING CAPACITY PERFORMANCE

CMAA

Ta /R.U.			047						057					
			Tw out						Tw out					
			30	35	40	45	50	55	30	35	40	45	50	55
-5°C / 90 %	Pt	kW	154,5	152,1	149,7	147,3	145,0	143,0	183,6	180,6	178,1	175,9	174,3	172,9
	Pat	kW	40,2	44,3	48,8	54,0	59,7	66,3	49,5	55,1	61,4	68,4	76,3	85,3
	qw	m³/h	26,76	26,40	26,03	25,66	25,77	25,00	31,79	31,34	30,96	30,65	30,98	30,24
	dpw	kPa	34,3	33,4	32,5	31,6	31,8	30,0	42,0	40,8	39,8	39,0	39,9	38,0
0°C / 90%	Pt	kW	176,7	173,5	170,1	166,5	163,0	159,6	210,1	206,1	202,4	198,9	196,0	193,0
	Pat	kW	40,3	44,4	49,0	54,1	59,8	66,3	49,4	54,9	61,1	68,1	76,0	84,9
	qw	m³/h	30,59	30,09	29,57	29,00	28,96	27,90	36,38	35,77	35,20	34,66	34,82	33,75
	dpw	kPa	44,9	43,4	41,9	40,3	40,2	37,3	55,0	53,1	51,4	49,9	50,3	47,3
7°C / 90%	Pt	kW	211,9	207,3	202,3	197,0	191,6	186,2	252,7	247,0	241,3	235,7	230,5	225,1
	Pat	kW	40,5	44,6	49,1	54,2	59,9	66,4	49,2	54,7	60,8	67,7	75,5	84,3
	qw	m³/h	36,68	35,96	35,18	34,32	34,05	32,55	43,75	42,85	41,96	41,06	40,95	39,36
	dpw	kPa	64,5	62,0	59,3	56,5	55,6	50,8	79,5	76,3	73,1	70,0	69,6	64,3
10°C / 90%	Pt	kW	229,0	223,8	218,1	211,9	205,7	199,3	273,6	267,1	260,4	253,7	247,4	240,9
	Pat	kW	40,5	44,6	49,2	54,3	60,0	66,4	49,2	54,6	60,7	67,6	75,3	84,1
	qw	m³/h	39,65	38,83	37,92	36,92	36,55	34,84	47,37	46,34	45,28	44,20	43,96	42,12
	dpw	kPa	75,4	72,3	68,9	65,3	64,0	58,2	93,2	89,2	85,2	81,1	80,3	73,7
15°C / 90%	Pt	kW	260,1	253,7	246,7	239,0	231,2	223,1	311,8	303,6	295,3	286,7	278,4	269,7
	Pat	kW	40,6	44,7	49,3	54,4	60,1	66,5	49,3	54,6	60,6	67,4	75,1	83,8
	qw	m³/h	45,04	44,02	42,89	41,64	41,09	39,02	53,98	52,68	51,33	49,93	49,46	47,16
	dpw	kPa	97,2	92,9	88,2	83,1	80,9	73,0	121,0	115,3	109,4	103,5	101,6	92,4

Ta /R.U.			070						087					
			Tw out						Tw out					
			30	35	40	45	50	55	30	35	40	45	50	55
-5°C / 90 %	Pt	kW	217,5	214,1	211,2	208,5	206,2	204,1	270,2	266,4	262,6	258,9	255,5	252,3
	Pat	kW	56,4	62,9	70,2	78,3	87,3	97,4	71,5	78,7	86,7	95,7	105,8	117,1
	qw	m³/h	37,65	37,15	36,72	36,31	36,64	35,69	46,78	46,21	45,66	45,10	45,40	44,11
	dpw	kPa	40,3	39,2	38,3	37,5	38,2	36,2	41,8	40,8	39,8	38,8	39,4	37,2
0°C / 90%	Pt	kW	249,1	244,4	240,1	235,9	232,0	228,3	308,9	303,7	298,4	292,8	287,3	281,8
	Pat	kW	56,3	62,8	70,1	78,2	87,4	97,6	71,7	78,9	86,9	96,0	106,1	117,5
	qw	m³/h	43,12	42,41	41,74	41,09	41,23	39,92	53,48	52,70	51,87	51,00	51,06	49,27
	dpw	kPa	52,8	51,1	49,5	48,0	48,3	45,3	54,6	53,0	51,4	49,7	49,8	46,4
7°C / 90%	Pt	kW	299,5	292,7	286,0	279,3	272,9	266,5	370,6	363,2	355,2	346,6	337,9	328,9
	Pat	kW	56,3	62,7	69,9	78,0	87,2	97,5	71,8	79,0	87,0	96,1	106,3	117,7
	qw	m³/h	51,85	50,79	49,73	48,65	48,49	46,60	64,16	63,01	61,76	60,38	60,05	57,50
	dpw	kPa	76,4	73,3	70,3	67,3	66,8	61,7	78,6	75,8	72,8	69,6	68,9	63,1
10°C / 90%	Pt	kW	324,3	316,4	308,5	300,6	292,9	285,2	400,8	392,2	383,0	372,9	362,7	352,0
	Pat	kW	56,4	62,7	69,8	77,9	87,0	97,3	71,8	79,0	87,0	96,1	106,3	117,7
	qw	m³/h	56,14	54,90	53,64	52,36	52,05	49,87	69,39	68,05	66,58	64,96	64,45	61,54
	dpw	kPa	89,6	85,6	81,8	77,9	77,0	70,7	92,0	88,4	84,7	80,6	79,3	72,3
15°C / 90%	Pt	kW	369,4	359,5	349,5	339,3	329,3	319,3	455,5	444,9	433,4	420,7	407,8	394,1
	Pat	kW	56,7	62,8	69,8	77,7	86,8	97,0	71,8	78,9	87,0	96,0	106,2	117,6
	qw	m³/h	63,95	62,37	60,76	59,10	58,52	55,82	78,87	77,20	75,35	73,29	72,46	68,91
	dpw	kPa	116,2	110,6	104,9	99,2	97,3	88,6	118,8	113,8	108,4	102,6	100,3	90,7

Ta /R.U. = Outdoor air temperature (°C)/Relative humidity (%) Twout = Outlet water temperature (°C); Pt = Heating capacity (kW); Pa = Compressors power input (kW); qw = Water flow (m³/h); dpw = Pressure drop (kPa). Water flow and pressure drop on heat exchanger calculated with ΔT= 5 °C.

Technical data

HEATING CAPACITY PERFORMANCE

CMAA

Ta /R.U.			097						102					
			Tw out						Tw out					
			30	35	40	45	50	55	30	35	40	45	50	55
-5°C / 90 %	Pt	kW	300,1	295,7	291,3	287,0	283,3	279,8	318,4	314,1	309,7	305,6	302,3	299,6
	Pat	kW	77,9	85,8	94,6	104,6	115,8	128,6	82,8	91,2	100,7	111,5	123,7	137,6
	qw	m ³ /h	51,96	51,31	50,65	50,00	50,34	48,92	55,13	54,49	53,85	53,24	53,71	52,38
	dpw	kPa	47,6	46,4	45,2	44,1	44,7	42,2	44,1	43,0	42,0	41,1	41,8	39,8
0°C / 90%	Pt	kW	343,0	337,0	330,6	324,0	317,9	311,6	364,0	357,8	351,3	344,7	338,6	333,0
	Pat	kW	78,1	86,0	94,8	104,7	116,0	128,7	83,0	91,5	100,9	111,5	123,6	137,3
	qw	m ³ /h	59,38	58,46	57,48	56,44	56,48	54,49	63,01	62,08	61,08	60,05	60,17	58,22
	dpw	kPa	62,2	60,3	58,3	56,2	56,2	52,4	57,5	55,8	54,1	52,3	52,5	49,1
7°C / 90%	Pt	kW	411,3	402,6	393,1	383,0	373,1	362,8	436,8	427,7	417,9	407,4	397,2	387,0
	Pat	kW	78,4	86,3	95,1	105,0	116,1	128,7	83,5	92,0	101,4	111,9	123,8	137,3
	qw	m ³ /h	71,20	69,85	68,35	66,72	66,30	63,43	75,62	74,20	72,65	70,97	70,58	67,67
	dpw	kPa	89,4	86,0	82,4	78,5	77,5	70,9	82,9	79,8	76,5	73,0	72,2	66,4
10°C / 90%	Pt	kW	444,6	434,6	423,7	411,9	400,2	388,0	472,4	461,9	450,5	438,2	426,0	413,8
	Pat	kW	78,5	86,4	95,2	105,1	116,2	128,8	83,7	92,3	101,7	112,1	123,9	137,4
	qw	m ³ /h	76,98	75,41	73,66	71,75	71,12	67,84	81,80	80,14	78,32	76,33	75,70	72,35
	dpw	kPa	104,5	100,3	95,7	90,8	89,2	81,1	97,0	93,1	88,9	84,4	83,1	75,9
15°C / 90%	Pt	kW	505,2	492,8	479,2	464,4	449,6	434,1	537,1	524,0	509,7	494,2	478,7	462,8
	Pat	kW	78,6	86,6	95,4	105,3	116,4	128,9	84,0	92,7	102,1	112,6	124,3	137,6
	qw	m ³ /h	87,46	85,50	83,31	80,90	79,90	75,89	92,99	90,92	88,62	86,09	85,05	80,92
	dpw	kPa	134,9	128,9	122,4	115,4	112,6	101,6	125,3	119,8	113,8	107,4	104,8	94,9

Ta /R.U.			120						130					
			Tw out						Tw out					
			30	35	40	45	50	55	30	35	40	45	50	55
-5°C / 90 %	Pt	kW	372,9	366,2	360,4	355,4	351,7	349,2	416,4	410,3	404,2	398,2	393,5	389,0
	Pat	kW	94,1	102,4	112,3	124,0	137,8	154,0	97,6	107,8	119,1	131,8	146,2	162,4
	qw	m ³ /h	64,56	63,53	62,65	61,91	62,50	61,05	72,10	71,19	70,27	69,37	69,92	68,01
	dpw	kPa	43,5	42,1	40,9	40,0	40,7	38,9	67,1	65,4	63,7	62,1	63,1	59,7
0°C / 90%	Pt	kW	425,4	416,3	408,0	400,3	393,8	388,3	475,9	467,3	458,2	449,0	440,9	432,6
	Pat	kW	94,7	102,9	112,7	124,4	138,2	154,4	98,0	108,1	119,4	132,1	146,4	162,5
	qw	m ³ /h	73,65	72,23	70,93	69,72	69,97	67,89	82,40	81,07	79,66	78,22	78,34	75,64
	dpw	kPa	56,6	54,4	52,5	50,7	51,1	48,1	87,6	84,8	81,9	78,9	79,2	73,8
7°C / 90%	Pt	kW	509,4	496,5	484,1	472,0	461,1	451,0	570,7	557,9	544,2	530,0	516,7	502,8
	Pat	kW	95,7	103,8	113,5	125,1	138,9	155,1	98,7	108,8	120,0	132,6	146,8	162,8
	qw	m ³ /h	88,20	86,14	84,16	82,22	81,93	78,86	98,81	96,80	94,62	92,32	91,81	87,91
	dpw	kPa	81,1	77,4	73,9	70,5	70,0	64,9	126,0	120,9	115,5	110,0	108,8	99,7
10°C / 90%	Pt	kW	550,6	535,8	521,4	507,2	494,2	481,9	617,1	602,2	586,3	569,7	553,9	537,4
	Pat	kW	96,2	104,2	113,9	125,5	139,2	155,4	99,0	109,1	120,3	132,9	147,0	162,9
	qw	m ³ /h	95,33	92,96	90,65	88,36	87,81	84,27	106,83	104,49	101,94	99,24	98,42	93,96
	dpw	kPa	94,8	90,1	85,7	81,4	80,4	74,1	147,3	140,9	134,1	127,1	125,0	113,9
15°C / 90%	Pt	kW	625,6	607,3	589,3	571,4	554,6	538,5	701,1	682,6	662,8	641,9	621,8	600,6
	Pat	kW	97,1	105,1	114,7	126,2	139,9	156,2	99,6	109,7	120,9	133,4	147,5	163,3
	qw	m ³ /h	108,31	105,37	102,46	99,54	98,54	94,15	121,38	118,44	115,23	111,81	110,48	105,02
	dpw	kPa	122,3	115,8	109,5	103,3	101,3	92,5	190,1	181,0	171,3	161,3	157,5	142,3

Ta /R.U. = Outdoor air temperature (°C)/Relative humidity (%) Twout = Outlet water temperature (°C); Pt = Heating capacity (kW); Pa = Compressors power input (kW); qw = Water flow (m³/h); dpw = Pressure drop (kPa). Water flow and pressure drop on heat exchanger calculated with ΔT= 5 °C.

Technical data

HEATING CAPACITY PERFORMANCE

CMAA

Ta /R.U.			140					
			Tw out					
			30	35	40	45	50	55
-5°C / 90 %	Pt	kW	436,8	430,9	425,0	419,4	415,4	411,9
	Pat	kW	105,7	116,6	128,7	142,6	158,3	176,3
	qw	m ³ /h	75,63	74,76	73,89	73,07	73,81	72,01
	dpw	kPa	63,2	61,7	60,3	59,0	60,2	57,3
0°C / 90%	Pt	kW	498,8	490,3	481,3	472,3	464,4	456,6
	Pat	kW	106,0	116,9	128,9	142,6	158,1	175,8
	qw	m ³ /h	86,37	85,07	83,68	82,27	82,52	79,84
	dpw	kPa	82,4	79,9	77,4	74,8	75,2	70,4
7°C / 90%	Pt	kW	598,1	585,3	571,5	557,0	543,4	529,2
	Pat	kW	106,7	117,5	129,5	143,0	158,3	175,7
	qw	m ³ /h	103,55	101,56	99,36	97,03	96,55	92,53
	dpw	kPa	118,4	113,9	109,1	104,0	103,0	94,6
10°C / 90%	Pt	kW	646,6	631,9	615,7	598,6	582,3	565,2
	Pat	kW	106,9	117,8	129,8	143,3	158,5	175,8
	qw	m ³ /h	111,95	109,63	107,05	104,28	103,47	98,82
	dpw	kPa	138,5	132,8	126,6	120,1	118,3	107,9
15°C / 90%	Pt	kW	734,8	716,4	696,1	674,5	653,5	631,1
	Pat	kW	107,3	118,3	130,4	143,8	158,9	176,1
	qw	m ³ /h	127,21	124,29	121,03	117,50	116,12	110,36
	dpw	kPa	178,8	170,7	161,8	152,5	148,9	134,5

Technical data

PERFORMANCE IN HEAT RECOVERY MODE

CMAA

Twout	012							015						
	Heat recovery water out							Heat recovery water out						
		30	35	40	45	50	55	30	35	40	45	50	55	
6°C	Pf	kW	51,4	48,8	46,1	43,2	40,3	37,2	63,5	60,4	57,1	53,5	50,0	46,1
	Pa	kW	10,3	11,4	12,5	13,8	15,2	16,9	11,8	13,0	14,3	15,8	17,4	19,3
	qw	m³/h	8,82	8,38	7,91	7,42	6,92	6,38	10,89	10,35	9,78	9,18	8,57	7,91
	dpw	kPa	79,9	72,9	65,8	58,6	51,6	44,6	64,6	59,0	53,3	47,5	41,9	36,3
	Pr	kW	61,8	60,2	58,6	57,0	55,6	54,1	75,3	73,4	71,4	69,3	67,4	65,4
	qwr	m³/h	10,62	10,36	10,08	9,81	9,56	9,30	12,95	12,62	12,27	11,92	11,60	11,26
	dpwr	kPa	95,2	90,5	85,8	81,1	77,0	73,0	77,2	134,3	127,0	119,9	113,4	106,8
7°C	Pf	kW	53,0	50,4	47,6	44,6	41,6	38,4	65,5	62,3	58,8	55,2	51,6	47,6
	Pa	kW	10,4	11,4	12,5	13,8	15,2	16,9	11,8	13,0	14,3	15,8	17,5	19,3
	qw	m³/h	9,10	8,65	8,17	7,66	7,14	6,59	11,23	10,68	10,10	9,48	8,85	8,17
	dpw	kPa	84,6	77,2	69,6	62,0	54,7	47,3	68,3	62,4	56,4	50,3	44,4	38,5
	Pr	kW	63,4	61,8	60,1	58,4	56,9	55,3	77,3	75,3	73,2	71,0	69,0	66,9
	qwr	m³/h	10,90	10,63	10,34	10,05	9,78	9,51	13,30	12,95	12,59	12,22	11,87	11,51
	dpwr	kPa	100,3	95,3	90,2	85,2	80,7	76,3	81,3	141,3	133,6	125,9	118,9	111,8
8°C	Pf	kW	54,7	52,0	49,1	46,0	43,0	39,6	67,5	64,2	60,7	57,0	53,2	49,1
	Pa	kW	10,4	11,4	12,6	13,8	15,3	16,9	11,9	13,0	14,3	15,8	17,5	19,4
	qw	m³/h	9,39	8,92	8,43	7,90	7,37	6,80	11,59	11,02	10,42	9,78	9,13	8,43
	dpw	kPa	89,5	81,7	73,7	65,7	58,0	50,1	72,2	66,0	59,6	53,2	47,0	40,7
	Pr	kW	65,1	63,4	61,6	59,9	58,2	56,6	79,3	77,2	75,0	72,8	70,7	68,5
	qwr	m³/h	11,19	10,90	10,60	10,30	10,01	9,73	13,65	13,28	12,90	12,52	12,16	11,78
	dpwr	kPa	105,7	100,3	94,8	89,4	84,6	79,8	85,7	148,8	140,4	132,2	124,6	117,0
9°C	Pf	kW	56,4	53,6	50,6	47,5	44,3	40,9	69,6	66,2	62,6	58,7	54,8	50,7
	Pa	kW	10,4	11,4	12,6	13,8	15,3	16,9	11,9	13,1	14,4	15,8	17,5	19,4
	qw	m³/h	9,69	9,21	8,70	8,16	7,61	7,02	11,95	11,37	10,75	10,09	9,42	8,70
	dpw	kPa	94,7	86,4	78,0	69,5	61,4	53,1	76,3	69,7	63,0	56,3	49,8	43,1
	Pr	kW	66,8	65,0	63,2	61,3	59,6	57,8	81,4	79,2	76,9	74,6	72,4	70,0
	qwr	m³/h	11,49	11,19	10,87	10,55	10,25	9,95	14,01	13,63	13,23	12,83	12,45	12,05
	dpwr	kPa	111,3	105,5	99,7	93,9	88,6	83,5	90,2	156,6	147,6	138,7	130,6	122,4
10°C	Pf	kW	58,1	55,3	52,2	49,0	45,7	42,2	71,7	68,2	64,5	60,5	56,6	52,3
	Pa	kW	10,4	11,5	12,6	13,9	15,3	17,0	11,9	13,1	14,4	15,9	17,5	19,4
	qw	m³/h	10,00	9,51	8,98	8,43	7,87	7,26	12,33	11,73	11,09	10,42	9,73	8,99
	dpw	kPa	100,3	91,6	82,7	73,7	65,1	56,4	80,8	73,8	66,8	59,6	52,7	45,7
	Pr	kW	68,5	66,7	64,8	62,8	61,0	59,2	83,6	81,3	78,9	76,4	74,1	71,7
	qwr	m³/h	11,79	11,47	11,15	10,81	10,50	10,18	14,37	13,98	13,57	13,14	12,74	12,33
	dpwr	kPa	117,2	111,0	104,8	98,5	92,9	87,3	95,0	164,8	155,2	145,7	136,9	128,1
11°C	Pf	kW	59,9	56,9	53,8	50,5	47,1	43,5	73,8	70,3	66,4	62,4	58,3	53,9
	Pa	kW	10,4	11,5	12,6	13,9	15,3	17,0	11,9	13,1	14,4	15,9	17,6	19,4
	qw	m³/h	10,32	9,81	9,27	8,70	8,12	7,50	12,73	12,11	11,45	10,75	10,05	9,29
	dpw	kPa	106,2	97,0	87,6	78,1	69,0	59,8	85,5	78,1	70,7	63,1	55,9	48,5
	Pr	kW	70,3	68,4	66,4	64,4	62,5	60,5	85,8	83,4	80,9	78,3	75,9	73,3
	qwr	m³/h	12,10	11,77	11,43	11,07	10,74	10,41	14,75	14,34	13,91	13,47	13,05	12,61
	dpwr	kPa	123,4	116,8	110,1	103,4	97,4	91,3	100,1	173,3	163,1	152,9	143,5	134,1

Twout = Outlet water temperature (°C); Pf = Cooling capacity (kW); Pr = Recovery mode heating capacity (kW); Pa = Compressors heating capacity (kW); qw = Water flow (m³/h); dpw = Pressure drop (kPa); qwr = Recovery heat exchanger water flow (m³/h); dpwr = Recovery heat exchanger pressure drop (kPa). Water flow and pressure drop on heat exchanger calculated with $\Delta T = 5^\circ\text{C}$.

Technical data

PERFORMANCE IN HEAT RECOVERY MODE

CMAA

Twout	018							023						
	Heat recovery water out							Heat recovery water out						
	30	35	40	45	50	55	30	35	40	45	50	55		
6 °C	Pf	kW	73,4	69,7	65,7	61,5	57,2	52,6	92,1	88,0	83,3	78,3	73,1	67,4
	Pa	kW	14,9	16,3	18,0	19,9	22,0	24,4	16,1	17,8	19,7	21,9	24,4	27,3
	qw	m ³ /h	12,58	11,95	11,27	10,55	9,82	9,02	15,80	15,08	14,29	13,43	12,54	11,56
	dpw	kPa	76,9	70,0	63,0	56,0	49,2	42,2	82,2	75,6	68,7	61,4	54,2	46,9
	Pr	kW	88,2	86,0	83,7	81,4	79,2	77,0	108,2	105,7	103,0	100,2	97,5	94,7
	qwr	m ³ /h	15,18	14,80	14,40	14,00	13,63	13,24	18,62	18,19	17,72	17,24	16,77	16,29
	dpwr	kPa	93,0	88,4	83,8	79,1	75,0	70,8	93,1	88,9	84,4	79,8	75,6	71,3
7 °C	Pf	kW	75,7	71,9	67,8	63,5	59,1	54,3	94,9	90,6	85,9	80,7	75,4	69,5
	Pa	kW	14,9	16,4	18,0	19,9	22,0	24,4	16,1	17,8	19,7	21,9	24,4	27,3
	qw	m ³ /h	12,99	12,33	11,64	10,90	10,14	9,32	16,29	15,55	14,74	13,85	12,93	11,93
	dpw	kPa	81,4	74,2	66,8	59,3	52,1	44,8	86,9	79,9	72,6	64,9	57,3	49,6
	Pr	kW	90,6	88,3	85,9	83,4	81,1	78,7	111,1	108,5	105,6	102,6	99,8	96,8
	qwr	m ³ /h	15,58	15,18	14,77	14,34	13,95	13,54	19,10	18,65	18,17	17,65	17,16	16,64
	dpwr	kPa	98,0	93,1	88,1	83,1	78,6	74,1	98,1	93,5	88,7	83,7	79,1	74,4
8 °C	Pf	kW	78,1	74,2	70,0	65,5	61,0	56,1	97,8	93,4	88,5	83,2	77,7	71,7
	Pa	kW	14,9	16,4	18,1	19,9	22,0	24,4	16,2	17,8	19,7	21,9	24,4	27,2
	qw	m ³ /h	13,40	12,73	12,01	11,25	10,47	9,63	16,79	16,03	15,20	14,28	13,34	12,30
	dpw	kPa	86,1	78,5	70,7	62,8	55,2	47,5	91,8	84,4	76,7	68,6	60,6	52,4
	Pr	kW	93,0	90,6	88,0	85,5	83,0	80,5	114,0	111,2	108,2	105,1	102,1	98,9
	qwr	m ³ /h	15,99	15,58	15,14	14,70	14,28	13,85	19,60	19,13	18,62	18,08	17,56	17,01
	dpwr	kPa	103,3	98,0	92,6	87,3	82,4	77,5	103,2	98,3	93,1	87,8	82,8	77,8
9 °C	Pf	kW	80,5	76,5	72,2	67,6	63,0	57,9	100,7	96,2	91,2	85,7	80,1	73,9
	Pa	kW	15,0	16,4	18,1	20,0	22,1	24,4	16,2	17,9	19,7	21,9	24,4	27,2
	qw	m ³ /h	13,83	13,14	12,40	11,61	10,81	9,95	17,30	16,53	15,66	14,72	13,75	12,69
	dpw	kPa	91,1	83,1	74,8	66,5	58,5	50,4	96,9	89,2	81,0	72,4	64,1	55,4
	Pr	kW	95,5	92,9	90,3	87,6	85,0	82,4	116,9	114,1	110,9	107,6	104,5	101,1
	qwr	m ³ /h	16,42	15,98	15,53	15,06	14,62	14,17	20,11	19,62	19,08	18,51	17,97	17,39
	dpwr	kPa	108,9	103,1	97,4	91,6	86,4	81,1	108,7	103,4	97,8	92,1	86,7	81,3
10 °C	Pf	kW	83,0	78,8	74,4	69,7	65,0	59,8	103,7	99,1	93,9	88,3	82,5	76,1
	Pa	kW	15,0	16,5	18,1	20,0	22,1	24,5	16,2	17,9	19,8	21,9	24,4	27,2
	qw	m ³ /h	14,28	13,57	12,81	12,00	11,18	10,29	17,85	17,05	16,16	15,19	14,19	13,10
	dpw	kPa	96,5	88,0	79,3	70,6	62,1	53,5	102,4	94,3	85,7	76,7	67,8	58,7
	Pr	kW	98,0	95,3	92,6	89,7	87,0	84,3	120,0	117,0	113,7	110,2	106,9	103,4
	qwr	m ³ /h	16,85	16,39	15,92	15,43	14,97	14,49	20,64	20,12	19,56	18,96	18,38	17,78
	dpwr	kPa	114,7	108,6	102,4	96,2	90,5	84,8	114,4	108,8	102,8	96,6	90,8	84,9
11 °C	Pf	kW	85,5	81,3	76,7	71,9	67,0	61,7	106,8	102,0	96,7	91,0	85,0	78,5
	Pa	kW	15,0	16,5	18,2	20,0	22,1	24,5	16,3	17,9	19,8	21,9	24,4	27,2
	qw	m ³ /h	14,74	14,01	13,22	12,39	11,55	10,64	18,41	17,59	16,67	15,68	14,65	13,52
	dpw	kPa	102,2	93,2	84,1	74,8	65,9	56,8	108,3	99,7	90,6	81,1	71,8	62,1
	Pr	kW	100,5	97,8	94,9	91,9	89,1	86,2	123,1	119,9	116,5	112,9	109,4	105,7
	qwr	m ³ /h	17,29	16,82	16,32	15,81	15,33	14,82	21,17	20,63	20,04	19,42	18,81	18,17
	dpwr	kPa	120,8	114,2	107,6	101,0	94,9	88,8	120,4	114,4	107,9	101,3	95,1	88,8

Twout = Outlet water temperature (°C); Pf = Cooling capacity (kW); Pr = Recovery mode heating capacity (kW); Pa = Compressors heating capacity (kW); qw = Water flow (m³/h); dpw = Pressure drop (kPa); qwr = Recovery heat exchanger water flow (m³/h); dpwr = Recovery heat exchanger pressure drop (kPa). Water flow and pressure drop on heat exchanger calculated with $\Delta T = 5$ °C.

Technical data

PERFORMANCE IN HEAT RECOVERY MODE

CMAA

Twout	030							033						
	Heat recovery water out							Heat recovery water out						
	30	35	40	45	50	55	30	35	40	45	50	55		
6°C	Pf	kW	121,8	115,9	109,5	102,8	96,0	88,5	135,6	128,9	121,8	114,2	106,4	97,8
	Pa	kW	23,4	25,9	28,7	31,9	35,5	39,5	25,2	28,0	31,2	34,8	38,9	43,5
	qw	m³/h	20,89	19,87	18,79	17,63	16,46	15,18	23,25	22,11	20,88	19,58	18,24	16,78
	dpw	kPa	78,1	71,4	64,5	57,6	50,9	44,0	64,1	58,5	52,8	47,0	41,4	35,6
	Pr	kW	145,3	141,8	138,3	134,7	131,4	128,1	160,8	156,9	153,0	149,0	145,3	141,4
	qwr	m³/h	24,99	24,39	23,78	23,17	22,61	22,03	27,65	26,99	26,31	25,63	24,99	24,32
	dpwr	kPa	93,0	88,6	84,3	80,0	76,1	72,3	75,2	71,6	68,1	64,6	61,4	58,2
7°C	Pf	kW	125,6	119,5	113,0	106,1	99,0	91,4	139,8	132,9	125,6	117,8	109,8	101,0
	Pa	kW	23,4	25,9	28,7	31,9	35,5	39,6	25,2	28,0	31,2	34,8	38,9	43,5
	qw	m³/h	21,56	20,51	19,39	18,20	16,99	15,68	23,99	22,81	21,55	20,21	18,84	17,33
	dpw	kPa	82,7	75,5	68,3	61,0	53,9	46,6	67,8	61,9	55,9	49,8	43,9	37,8
	Pr	kW	149,1	145,5	141,7	138,0	134,5	130,9	165,0	160,9	156,8	152,6	148,7	144,5
	qwr	m³/h	25,64	25,02	24,38	23,73	23,14	22,52	28,38	27,68	26,97	26,25	25,58	24,86
	dpwr	kPa	98,0	93,2	88,5	83,9	79,8	75,5	79,2	75,4	71,5	67,8	64,3	60,8
8°C	Pf	kW	129,5	123,2	116,5	109,4	102,2	94,3	144,1	137,0	129,5	121,5	113,3	104,3
	Pa	kW	23,5	26,0	28,8	31,9	35,5	39,6	25,2	28,0	31,2	34,8	38,9	43,5
	qw	m³/h	22,24	21,16	20,01	18,79	17,54	16,19	24,74	23,53	22,24	20,86	19,45	17,90
	dpw	kPa	87,4	79,9	72,3	64,5	57,0	49,4	71,7	65,5	59,1	52,7	46,5	40,0
	Pr	kW	153,0	149,2	145,3	141,3	137,7	133,9	169,3	165,0	160,7	156,3	152,2	147,8
	qwr	m³/h	26,32	25,66	24,99	24,31	23,68	23,02	29,12	28,39	27,64	26,88	26,17	25,42
	dpwr	kPa	103,2	98,1	93,0	88,0	83,5	79,0	83,4	79,3	75,1	71,1	67,4	63,6
9°C	Pf	kW	133,5	127,0	120,2	112,9	105,4	97,3	148,5	141,2	133,5	125,3	116,9	107,6
	Pa	kW	23,5	26,0	28,8	31,9	35,5	39,6	25,2	28,0	31,2	34,8	38,8	43,5
	qw	m³/h	22,94	21,82	20,64	19,39	18,11	16,72	25,51	24,26	22,94	21,52	20,07	18,49
	dpw	kPa	92,4	84,5	76,4	68,3	60,4	52,3	75,7	69,2	62,5	55,8	49,2	42,4
	Pr	kW	157,0	153,0	148,9	144,8	140,9	136,9	173,7	169,2	164,7	160,1	155,7	151,1
	qwr	m³/h	27,01	26,32	25,62	24,90	24,24	23,54	29,88	29,11	28,33	27,53	26,78	25,99
	dpwr	kPa	108,7	103,2	97,8	92,4	87,5	82,6	87,8	83,4	78,9	74,6	70,6	66,4
10°C	Pf	kW	137,6	130,9	123,9	116,4	108,7	100,4	153,0	145,6	137,6	129,2	120,5	111,1
	Pa	kW	23,5	26,0	28,8	31,9	35,5	39,6	25,2	28,0	31,2	34,7	38,8	43,4
	qw	m³/h	23,68	22,53	21,31	20,02	18,70	17,27	26,32	25,04	23,68	22,23	20,74	19,11
	dpw	kPa	97,9	89,5	81,0	72,4	64,0	55,5	80,1	73,3	66,2	59,1	52,2	45,0
	Pr	kW	161,1	157,0	152,7	148,3	144,2	139,9	178,2	173,6	168,8	163,9	159,3	154,5
	qwr	m³/h	27,72	27,00	26,26	25,51	24,80	24,07	30,66	29,85	29,03	28,20	27,41	26,57
	dpwr	kPa	114,4	108,6	102,7	96,9	91,7	86,3	92,5	87,7	82,9	78,2	73,9	69,5
11°C	Pf	kW	141,8	134,9	127,7	119,9	112,1	103,5	157,6	150,0	141,8	133,2	124,3	114,6
	Pa	kW	23,6	26,0	28,8	32,0	35,5	39,6	25,3	28,0	31,2	34,7	38,8	43,4
	qw	m³/h	24,43	23,26	22,00	20,67	19,32	17,85	27,16	25,85	24,44	22,95	21,42	19,74
	dpw	kPa	103,6	94,8	85,8	76,6	67,8	58,8	84,8	77,5	70,1	62,6	55,3	47,8
	Pr	kW	165,3	161,0	156,5	151,9	147,6	143,1	182,9	178,0	173,0	167,9	163,1	158,0
	qwr	m³/h	28,44	27,69	26,91	26,13	25,39	24,61	31,45	30,61	29,75	28,88	28,05	27,17
	dpwr	kPa	120,5	114,2	107,9	101,7	96,0	90,3	97,3	92,2	87,1	82,0	77,4	72,6

Twout = Outlet water temperature (°C); Pf = Cooling capacity (kW); Pr = Recovery mode heating capacity (kW); Pa = Compressors heating capacity (kW); qw = Water flow (m³/h); dpw = Pressure drop (kPa); qwr = Recovery heat exchanger water flow (m³/h); dpwr = Recovery heat exchanger pressure drop (kPa). Water flow and pressure drop on heat exchanger calculated with $\Delta T = 5$ °C.

Technical data

PERFORMANCE IN HEAT RECOVERY MODE

CMAA

Twout	O37							O44						
	Heat recovery water out							Heat recovery water out						
	30	35	40	45	50	55	30	35	40	45	50	55		
6 °C	Pf	kW	151,3	143,9	135,9	127,3	118,3	108,3	176,0	167,9	158,9	149,1	138,8	127,3
	Pa	kW	30,2	33,4	37,0	41,1	45,7	50,8	32,4	35,6	39,3	43,4	48,0	53,2
	qw	m ³ /h	25,94	24,68	23,31	21,83	20,28	18,57	30,18	28,79	27,26	25,57	23,80	21,83
	dpw	kPa	74,1	67,7	61,1	54,3	47,6	40,6	55,0	50,5	45,8	40,8	35,9	30,7
	Pr	kW	181,5	177,4	173,0	168,4	164,0	159,1	208,4	203,5	198,2	192,5	186,8	180,5
	qwr	m ³ /h	31,22	30,51	29,75	28,96	28,20	27,37	35,84	35,01	34,10	33,11	32,13	31,05
	dpwr	kPa	88,0	84,0	79,9	75,7	71,8	67,6	65,3	62,3	59,1	55,7	52,5	49,0
7 °C	Pf	kW	156,0	148,5	140,2	131,3	122,1	111,9	181,3	173,0	163,8	153,7	143,2	131,4
	Pa	kW	30,2	33,4	37,0	41,1	45,7	50,8	32,4	35,6	39,3	43,4	48,0	53,2
	qw	m ³ /h	26,77	25,47	24,06	22,54	20,95	19,19	31,11	29,69	28,11	26,38	24,56	22,54
	dpw	kPa	78,4	71,7	64,7	57,5	50,4	43,1	58,1	53,4	48,4	43,2	38,0	32,5
	Pr	kW	186,2	181,9	177,3	172,4	167,8	162,7	213,7	208,7	203,1	197,1	191,2	184,6
	qwr	m ³ /h	32,03	31,29	30,49	29,66	28,86	27,98	36,76	35,89	34,94	33,91	32,88	31,75
	dpwr	kPa	92,6	88,3	83,9	79,4	75,1	70,7	68,6	65,4	62,0	58,4	54,9	51,2
8 °C	Pf	kW	160,8	153,1	144,7	135,5	126,0	115,5	186,8	178,3	168,9	158,5	147,6	135,6
	Pa	kW	30,3	33,4	37,0	41,1	45,7	50,8	32,4	35,6	39,3	43,4	48,0	53,2
	qw	m ³ /h	27,61	26,28	24,83	23,27	21,64	19,83	32,07	30,61	28,99	27,21	25,35	23,28
	dpw	kPa	82,9	75,8	68,5	60,9	53,4	45,7	61,3	56,4	51,2	45,6	40,2	34,5
	Pr	kW	191,1	186,5	181,7	176,6	171,7	166,3	219,2	213,9	208,1	201,9	195,6	188,8
	qwr	m ³ /h	32,86	32,08	31,25	30,38	29,53	28,61	37,70	36,79	35,80	34,72	33,65	32,47
	dpwr	kPa	97,5	92,9	88,1	83,3	78,7	73,9	72,2	68,8	65,1	61,3	57,5	53,6
9 °C	Pf	kW	165,7	157,8	149,2	139,8	130,0	119,3	192,4	183,7	174,0	163,3	152,2	139,9
	Pa	kW	30,3	33,4	37,0	41,1	45,6	50,8	32,4	35,6	39,3	43,4	48,0	53,2
	qw	m ³ /h	28,47	27,11	25,62	24,01	22,34	20,49	33,04	31,55	29,89	28,06	26,15	24,02
	dpw	kPa	87,6	80,2	72,4	64,5	56,6	48,5	64,8	59,6	54,0	48,2	42,5	36,5
	Pr	kW	196,0	191,2	186,2	180,9	175,7	170,1	224,7	219,3	213,3	206,7	200,2	193,0
	qwr	m ³ /h	33,71	32,89	32,02	31,11	30,22	29,25	38,66	37,72	36,68	35,56	34,44	33,20
	dpwr	kPa	102,6	97,6	92,5	87,3	82,4	77,2	75,9	72,3	68,4	64,2	60,2	56,0
10 °C	Pf	kW	170,8	162,7	153,8	144,2	134,2	123,1	198,1	189,1	179,2	168,3	156,9	144,2
	Pa	kW	30,3	33,4	37,0	41,1	45,6	50,8	32,4	35,6	39,3	43,4	48,0	53,2
	qw	m ³ /h	29,39	27,99	26,46	24,80	23,09	21,19	34,08	32,54	30,84	28,96	27,00	24,82
	dpw	kPa	92,7	84,9	76,8	68,3	60,0	51,5	68,5	63,0	57,2	51,1	45,0	38,7
	Pr	kW	201,1	196,1	190,8	185,2	179,8	173,9	230,4	224,8	218,5	211,7	204,9	197,4
	qwr	m ³ /h	34,58	33,73	32,82	31,86	30,93	29,91	39,64	38,66	37,58	36,41	35,24	33,96
	dpwr	kPa	107,9	102,6	97,2	91,6	86,3	80,7	79,8	75,9	71,7	67,4	63,1	58,6
11 °C	Pf	kW	176,0	167,6	158,5	148,6	138,4	127,1	203,9	194,8	184,6	173,4	161,7	148,7
	Pa	kW	30,3	33,4	37,0	41,0	45,6	50,8	32,4	35,6	39,3	43,4	48,0	53,2
	qw	m ³ /h	30,32	28,89	27,32	25,62	23,85	21,90	35,14	33,57	31,81	29,89	27,87	25,64
	dpw	kPa	98,1	89,9	81,3	72,4	63,7	54,6	72,3	66,6	60,5	54,0	47,7	41,0
	Pr	kW	206,2	201,0	195,5	189,7	184,0	177,8	236,3	230,4	223,8	216,8	209,7	201,9
	qwr	m ³ /h	35,47	34,58	33,63	32,63	31,65	30,59	40,64	39,62	38,50	37,28	36,07	34,73
	dpwr	kPa	113,5	107,9	102,0	96,0	90,4	84,4	83,9	79,8	75,3	70,6	66,1	61,3

Twout = Outlet water temperature (°C); Pf = Cooling capacity (kW); Pr = Recovery mode heating capacity (kW); Pa = Compressors heating capacity (kW); qw = Water flow (m³/h); dpw = Pressure drop (kPa); qwr = Recovery heat exchanger water flow (m³/h); dpwr = Recovery heat exchanger pressure drop (kPa). Water flow and pressure drop on heat exchanger calculated with $\Delta T = 5$ °C.

Technical data

PERFORMANCE IN HEAT RECOVERY MODE

CMAA

Twout	047							057						
	Heat recovery water out							Heat recovery water out						
	30	35	40	45	50	55	30	35	40	45	50	55		
6°C	Pf	kW	190,4	181,4	171,6	160,8	149,5	137,2	232,4	220,7	208,2	194,9	181,2	166,1
	Pa	kW	35,7	39,3	43,3	47,8	52,8	58,6	45,1	50,0	55,5	61,8	69,0	77,0
	qw	m³/h	32,65	31,12	29,42	27,57	25,64	23,52	39,85	37,84	35,70	33,42	31,07	28,49
	dpw	kPa	60,6	55,6	50,2	44,7	39,2	33,6	77,3	70,4	63,4	56,3	49,4	42,2
	Pr	kW	226,1	220,7	214,8	208,5	202,4	195,7	277,5	270,7	263,8	256,7	250,2	243,2
	qwr	m³/h	38,89	37,96	36,95	35,87	34,81	33,66	47,73	46,55	45,37	44,16	43,03	41,82
	dpwr	kPa	72,5	69,1	65,5	61,7	58,1	54,3	94,6	90,0	85,5	81,0	76,9	72,6
	7°C	Pf	kW	196,2	187,0	176,8	165,8	154,2	141,5	239,7	227,7	214,9	201,2	187,1
Pa		kW	35,7	39,3	43,3	47,8	52,9	58,6	45,1	50,0	55,5	61,8	68,9	77,0
qw		m³/h	33,66	32,08	30,34	28,44	26,46	24,28	41,13	39,06	36,87	34,52	32,11	29,46
dpw		kPa	64,0	58,7	53,1	47,3	41,5	35,6	81,8	74,5	67,1	59,7	52,4	44,8
Pr		kW	231,9	226,3	220,1	213,5	207,1	200,1	284,8	277,6	270,4	263,0	256,1	248,6
qwr		m³/h	39,88	38,92	37,86	36,73	35,62	34,42	48,98	47,75	46,51	45,24	44,04	42,77
dpwr		kPa	76,2	72,6	68,7	64,7	60,8	56,8	99,6	94,7	89,8	85,0	80,5	76,0
8°C		Pf	kW	202,1	192,7	182,2	170,9	159,0	146,0	247,1	234,8	221,7	207,7	193,2
	Pa	kW	35,7	39,3	43,3	47,8	52,9	58,6	45,1	50,0	55,5	61,8	68,9	76,9
	qw	m³/h	34,70	33,08	31,29	29,33	27,30	25,07	42,43	40,31	38,06	35,65	33,17	30,45
	dpw	kPa	67,6	62,0	56,1	50,0	43,9	37,7	86,5	78,9	71,1	63,2	55,5	47,6
	Pr	kW	237,8	232,0	225,6	218,7	211,9	204,6	292,2	284,8	277,2	269,4	262,1	254,3
	qwr	m³/h	40,90	39,90	38,80	37,61	36,45	35,19	50,26	48,98	47,68	46,34	45,08	43,73
	dpwr	kPa	80,2	76,3	72,2	67,8	63,7	59,4	104,9	99,6	94,4	89,2	84,4	79,4
	9°C	Pf	kW	208,2	198,5	187,8	176,1	164,0	150,6	254,8	242,1	228,7	214,3	199,4
Pa		kW	35,7	39,3	43,3	47,8	52,9	58,6	45,1	50,0	55,5	61,7	68,8	76,8
qw		m³/h	35,76	34,09	32,26	30,25	28,16	25,87	43,77	41,59	39,28	36,80	34,26	31,46
dpw		kPa	71,4	65,5	59,3	52,8	46,4	39,9	91,4	83,4	75,3	66,9	58,8	50,5
Pr		kW	243,9	237,8	231,1	223,9	216,8	209,2	299,9	292,1	284,1	276,0	268,3	260,0
qwr		m³/h	41,94	40,90	39,75	38,52	37,30	35,98	51,58	50,24	48,87	47,47	46,14	44,72
dpwr		kPa	84,3	80,2	75,7	71,1	66,7	62,1	110,5	104,8	99,2	93,6	88,4	83,1
10°C		Pf	kW	214,4	204,4	193,4	181,4	169,0	155,3	262,6	249,6	235,8	221,0	205,8
	Pa	kW	35,7	39,3	43,4	47,8	52,9	58,6	45,1	50,0	55,5	61,7	68,8	76,8
	qw	m³/h	36,88	35,17	33,28	31,22	29,08	26,72	45,18	42,95	40,57	38,03	35,41	32,54
	dpw	kPa	75,5	69,3	62,7	55,9	49,2	42,2	96,8	88,4	79,8	71,0	62,5	53,6
	Pr	kW	250,1	243,7	236,8	229,3	221,9	213,9	307,7	299,6	291,3	282,7	274,6	265,9
	qwr	m³/h	43,01	41,92	40,73	39,44	38,17	36,79	52,93	51,53	50,10	48,63	47,23	45,74
	dpwr	kPa	88,7	84,3	79,5	74,6	69,8	64,9	116,3	110,3	104,2	98,2	92,6	86,9
	11°C	Pf	kW	220,7	210,5	199,2	186,9	174,2	160,1	270,6	257,3	243,1	227,9	212,3
Pa		kW	35,7	39,3	43,4	47,9	52,9	58,6	45,1	50,0	55,5	61,7	68,7	76,7
qw		m³/h	38,03	36,28	34,33	32,22	30,02	27,60	46,63	44,34	41,90	39,28	36,60	33,65
dpw		kPa	79,8	73,2	66,3	59,1	52,1	44,8	102,5	93,6	84,5	75,3	66,3	57,0
Pr		kW	256,4	249,8	242,6	234,8	227,1	218,7	315,7	307,3	298,6	289,6	281,1	272,0
qwr		m³/h	44,10	42,97	41,72	40,38	39,06	37,62	54,30	52,85	51,35	49,81	48,35	46,78
dpwr		kPa	93,2	88,5	83,5	78,2	73,1	67,9	122,5	116,0	109,5	103,0	97,1	90,9

Twout = Outlet water temperature (°C); Pf = Cooling capacity (kW); Pr = Recovery mode heating capacity (kW); Pa = Compressors heating capacity (kW); qw = Water flow (m³/h); dpw = Pressure drop (kPa); qwr = Recovery heat exchanger water flow (m³/h); dpwr = Recovery heat exchanger pressure drop (kPa). Water flow and pressure drop on heat exchanger calculated with $\Delta T = 5^\circ\text{C}$.

Technical data

PERFORMANCE IN HEAT RECOVERY MODE

CMAA

Twout	070							087						
	Heat recovery water out							Heat recovery water out						
		30	35	40	45	50	55	30	35	40	45	50	55	
6 °C	Pf	kW	287,4	273,1	258,0	241,9	225,3	207,2	354,4	337,5	318,7	298,1	276,4	252,3
	Pa	kW	52,5	58,3	65,0	72,5	81,1	90,7	71,7	78,9	87,0	96,1	106,4	117,8
	qw	m ³ /h	49,28	46,84	44,24	41,48	38,64	35,53	60,78	57,87	54,65	51,12	47,40	43,26
	dpw	kPa	80,7	73,6	66,4	59,2	52,1	44,8	81,3	74,4	67,2	59,5	52,0	44,1
	Pr	kW	339,8	331,5	323,0	314,4	306,4	297,9	426,1	416,4	405,7	394,2	382,8	370,1
	qwr	m ³ /h	58,45	57,01	55,56	54,08	52,70	51,24	73,29	71,62	69,78	67,80	65,83	63,66
	dpwr	kPa	97,1	92,4	87,7	83,1	78,9	74,6	102,6	98,0	93,0	87,8	82,8	77,4
7 °C	Pf	kW	296,2	281,6	266,1	249,5	232,5	213,9	365,4	348,0	328,7	307,6	285,4	260,6
	Pa	kW	52,5	58,3	65,0	72,5	81,0	90,7	71,7	78,9	87,0	96,1	106,3	117,8
	qw	m ³ /h	50,82	48,32	45,65	42,81	39,90	36,71	62,69	59,71	56,41	52,77	48,96	44,72
	dpw	kPa	85,3	77,9	70,3	62,6	55,2	47,5	86,0	78,8	71,1	63,1	55,1	46,8
	Pr	kW	348,7	340,0	331,1	322,0	313,6	304,6	437,0	426,9	415,7	403,7	391,7	378,5
	qwr	m ³ /h	59,98	58,47	56,94	55,39	53,93	52,39	75,17	73,43	71,51	69,43	67,37	65,10
	dpwr	kPa	102,2	97,2	92,1	87,2	82,7	78,0	107,9	103,0	97,7	92,1	86,7	80,9
8 °C	Pf	kW	305,3	290,3	274,3	257,3	239,9	220,8	376,5	358,8	339,0	317,3	294,5	269,2
	Pa	kW	52,5	58,3	65,0	72,5	81,0	90,6	71,7	78,9	87,0	96,1	106,3	117,8
	qw	m ³ /h	52,41	49,84	47,10	44,18	41,19	37,91	64,65	61,59	58,20	54,48	50,56	46,22
	dpw	kPa	90,1	82,3	74,4	66,3	58,4	50,3	90,9	83,3	75,2	66,8	58,4	49,7
	Pr	kW	357,8	348,6	339,3	329,8	320,9	311,4	448,2	437,6	426,0	413,4	400,8	387,0
	qwr	m ³ /h	61,54	59,97	58,36	56,73	55,19	53,56	77,10	75,28	73,27	71,10	68,94	66,56
	dpwr	kPa	107,6	102,2	96,8	91,4	86,6	81,5	113,5	108,2	102,5	96,6	90,8	84,6
9 °C	Pf	kW	314,5	299,2	282,8	265,3	247,4	227,9	388,0	369,8	349,5	327,3	303,9	278,0
	Pa	kW	52,6	58,4	64,9	72,4	80,9	90,5	71,7	78,9	87,0	96,1	106,3	117,8
	qw	m ³ /h	54,03	51,39	48,58	45,58	42,51	39,14	66,65	63,52	60,04	56,22	52,21	47,75
	dpw	kPa	95,2	87,0	78,6	70,1	61,8	53,3	96,0	88,0	79,5	70,7	61,8	52,7
	Pr	kW	367,1	357,5	347,7	337,8	328,4	318,4	459,7	448,6	436,5	423,3	410,2	395,7
	qwr	m ³ /h	63,15	61,50	59,81	58,10	56,48	54,77	79,06	77,17	75,08	72,81	70,55	68,07
	dpwr	kPa	113,3	107,5	101,7	95,9	90,7	85,2	119,4	113,7	107,7	101,3	95,1	88,5
10 °C	Pf	kW	324,0	308,2	291,4	273,5	255,2	235,1	399,7	381,0	360,3	337,5	313,5	287,0
	Pa	kW	52,7	58,4	64,9	72,4	80,9	90,5	71,7	78,9	86,9	96,0	106,3	117,7
	qw	m ³ /h	55,75	53,04	50,15	47,06	43,90	40,45	68,77	65,56	61,99	58,06	53,95	49,37
	dpw	kPa	100,7	92,1	83,2	74,3	65,5	56,5	101,6	93,2	84,2	74,9	65,6	55,9
	Pr	kW	376,7	366,6	356,4	345,9	336,0	325,6	471,4	459,9	447,2	433,5	419,8	404,7
	qwr	m ³ /h	64,79	63,06	61,30	59,50	57,80	56,00	81,08	79,10	76,92	74,56	72,20	69,61
	dpwr	kPa	119,3	113,0	106,8	100,6	94,9	89,1	125,5	119,5	113,0	106,2	99,6	92,5
11 °C	Pf	kW	333,7	317,5	300,3	281,9	263,1	242,5	411,7	392,5	371,3	347,9	323,4	296,2
	Pa	kW	52,7	58,4	64,9	72,4	80,8	90,4	71,7	78,9	86,9	96,0	106,2	117,7
	qw	m ³ /h	57,51	54,73	51,75	48,58	45,34	41,80	70,95	67,65	63,99	59,96	55,73	51,04
	dpw	kPa	106,5	97,4	88,1	78,6	69,4	60,0	107,4	98,6	89,2	79,3	69,6	59,4
	Pr	kW	386,4	376,0	365,2	354,3	343,9	332,9	483,3	471,4	458,2	443,9	429,6	413,9
	qwr	m ³ /h	66,47	64,67	62,82	60,93	59,15	57,26	83,13	81,08	78,81	76,35	73,89	71,19
	dpwr	kPa	125,5	118,8	112,1	105,5	99,4	93,2	132,0	125,6	118,6	111,3	104,3	96,8

Twout = Outlet water temperature (°C); Pf = Cooling capacity (kW); Pr = Recovery mode heating capacity (kW); Pa = Compressors heating capacity (kW); qw = Water flow (m³/h); dpw = Pressure drop (kPa); qwr = Recovery heat exchanger water flow (m³/h); dpwr = Recovery heat exchanger pressure drop (kPa). Water flow and pressure drop on heat exchanger calculated with $\Delta T = 5$ °C.

Technical data

PERFORMANCE IN HEAT RECOVERY MODE

CMAA

Twout	097							102						
	Heat recovery water out							Heat recovery water out						
	30	35	40	45	50	55	30	35	40	45	50	55		
6°C	Pf	kW	390,7	372,3	351,9	329,7	306,6	281,2	416,6	396,7	374,8	351,1	326,5	299,7
	Pa	kW	75,0	82,6	91,0	100,5	111,1	123,1	78,4	86,4	95,2	105,0	116,1	128,7
	qw	m³/h	67,00	63,83	60,35	56,54	52,58	48,22	71,44	68,02	64,27	60,20	55,99	51,40
	dpw	kPa	92,8	85,1	76,9	68,4	60,0	51,4	85,1	77,9	70,4	62,5	54,9	47,1
	Pr	kW	465,7	454,8	442,9	430,2	417,7	404,3	495,0	483,1	470,0	456,1	442,6	428,4
	qwr	m³/h	80,10	78,23	76,18	73,99	71,85	69,54	85,14	83,09	80,84	78,45	76,13	73,69
	dpwr	kPa	113,1	107,9	102,3	96,5	91,0	85,3	105,0	100,0	94,7	89,2	84,0	78,7
	7°C	Pf	kW	402,6	383,7	362,8	340,0	316,3	290,2	429,2	408,8	386,3	361,9	336,7
Pa		kW	75,0	82,6	91,0	100,5	111,1	123,2	78,5	86,5	95,3	105,1	116,2	128,7
qw		m³/h	69,09	65,84	62,25	58,34	54,27	49,79	73,65	70,14	66,28	62,10	57,78	53,06
dpw		kPa	98,1	90,0	81,3	72,4	63,5	54,4	89,9	82,3	74,4	66,1	58,1	49,8
Pr		kW	477,6	466,3	453,9	440,5	427,4	413,3	507,7	495,2	481,6	467,0	452,9	438,0
qwr		m³/h	82,15	80,20	78,06	75,77	73,52	71,10	87,32	85,18	82,83	80,33	77,90	75,33
dpwr		kPa	119,0	113,4	107,4	101,2	95,3	89,1	110,5	105,2	99,4	93,5	87,9	82,2
8°C		Pf	kW	414,9	395,4	374,0	350,6	326,2	299,4	442,2	421,2	398,1	373,0	347,2
	Pa	kW	75,0	82,6	91,1	100,5	111,2	123,2	78,5	86,5	95,4	105,2	116,2	128,8
	qw	m³/h	71,22	67,88	64,20	60,18	56,00	51,40	75,91	72,30	68,34	64,04	59,60	54,76
	dpw	kPa	103,6	95,1	86,0	76,5	67,2	57,6	95,0	87,0	78,6	69,9	61,4	52,7
	Pr	kW	489,9	478,1	465,0	451,1	437,4	422,6	520,7	507,7	493,4	478,2	463,4	447,7
	qwr	m³/h	84,26	82,22	79,99	77,59	75,23	72,69	89,56	87,33	84,87	82,25	79,71	77,01
	dpwr	kPa	125,2	119,2	112,8	106,1	99,8	93,2	116,2	110,5	104,4	98,1	92,1	85,9
	9°C	Pf	kW	427,3	407,4	385,4	361,4	336,4	308,9	455,4	433,8	410,1	384,4	357,9
Pa		kW	75,1	82,7	91,1	100,6	111,2	123,2	78,6	86,6	95,4	105,3	116,3	128,8
qw		m³/h	73,41	69,98	66,20	62,07	57,78	53,06	78,23	74,52	70,45	66,04	61,48	56,50
dpw		kPa	109,4	100,4	90,9	80,9	71,1	61,0	100,2	91,8	83,0	73,9	65,0	55,8
Pr		kW	502,4	490,1	476,5	461,9	447,6	432,1	534,0	520,5	505,6	489,7	474,2	457,7
qwr		m³/h	86,41	84,29	81,96	79,45	76,98	74,32	91,84	89,52	86,96	84,23	81,56	78,73
dpwr		kPa	131,7	125,3	118,4	111,3	104,5	97,4	122,2	116,1	109,6	102,8	96,4	89,8
10°C		Pf	kW	440,1	419,7	397,1	372,4	346,8	318,6	469,0	446,8	422,5	396,1	368,8
	Pa	kW	75,1	82,7	91,1	100,6	111,2	123,2	78,6	86,7	95,5	105,3	116,4	128,9
	qw	m³/h	75,73	72,21	68,32	64,08	59,67	54,82	80,69	76,88	72,69	68,15	63,46	58,35
	dpw	kPa	115,7	106,2	96,2	85,7	75,4	64,7	106,0	97,1	87,8	78,2	68,8	59,1
	Pr	kW	515,2	502,4	488,2	473,0	458,0	441,8	547,6	533,5	518,0	501,4	485,2	468,0
	qwr	m³/h	88,61	86,41	83,97	81,36	78,78	75,99	94,18	91,76	89,09	86,24	83,46	80,50
	dpwr	kPa	138,5	131,6	124,3	116,7	109,4	101,8	128,5	122,0	115,0	107,8	100,9	93,9
	11°C	Pf	kW	453,2	432,2	409,0	383,7	357,4	328,5	482,8	460,1	435,1	408,0	380,1
Pa		kW	75,1	82,7	91,2	100,6	111,2	123,2	78,7	86,8	95,6	105,4	116,5	129,0
qw		m³/h	78,11	74,49	70,49	66,13	61,60	56,62	83,21	79,29	74,99	70,32	65,50	60,25
dpw		kPa	122,4	112,4	101,7	90,7	79,8	68,6	112,0	102,7	92,9	82,7	72,8	62,6
Pr		kW	528,3	514,9	500,2	484,3	468,7	451,8	561,5	546,8	530,7	513,4	496,5	478,5
qwr		m³/h	90,87	88,57	86,03	83,31	80,61	77,70	96,57	94,05	91,28	88,31	85,40	82,31
dpwr		kPa	145,6	138,3	130,5	122,4	114,6	106,5	135,2	128,2	120,7	113,0	105,7	98,2

Twout = Outlet water temperature (°C); Pf = Cooling capacity (kW); Pr = Recovery mode heating capacity (kW); Pa = Compressors heating capacity (kW); qw = Water flow (m³/h); dpw = Pressure drop (kPa); qwr = Recovery heat exchanger water flow (m³/h); dpwr = Recovery heat exchanger pressure drop (kPa). Water flow and pressure drop on heat exchanger calculated with $\Delta T = 5^\circ\text{C}$.

Technical data

PERFORMANCE IN HEAT RECOVERY MODE

CMAA

Twout	120							130						
	Heat recovery water out							Heat recovery water out						
	30	35	40	45	50	55	30	35	40	45	50	55		
6 °C	Pf	kW	487,6	463,0	436,8	409,1	380,7	349,9	574,8	548,6	520,1	489,4	458,1	424,3
	Pa	kW	95,7	104,0	113,8	125,7	139,7	156,2	100,3	110,6	122,0	134,7	149,0	165,2
	qw	m ³ /h	83,61	79,39	74,91	70,15	65,28	59,99	98,57	94,07	89,18	83,93	78,56	72,75
	dpw	kPa	83,2	75,8	68,3	60,7	53,3	45,8	124,8	113,6	102,1	90,5	79,3	68,0
	Pr	kW	583,3	566,9	550,7	534,7	520,4	506,0	626,0	608,0	590,3	573,0	557,6	542,2
	qwr	m ³ /h	100,33	97,51	94,72	91,97	89,51	87,04	116,89	114,36	111,62	108,72	107,89	103,07
	dpwr	kPa	105,0	99,2	93,6	88,2	83,6	79,0	114,9	109,6	103,9	98,2	93,0	87,6
7 °C	Pf	kW	502,3	477,0	450,1	421,6	392,5	360,9	592,1	565,2	535,8	504,3	472,1	437,3
	Pa	kW	95,9	104,1	114,0	125,8	139,8	156,3	100,4	110,7	122,1	134,8	149,1	165,3
	qw	m ³ /h	86,18	81,84	77,24	72,34	67,34	61,92	101,60	96,97	91,94	86,53	81,01	75,03
	dpw	kPa	87,9	80,1	72,2	64,1	56,4	48,5	132,6	120,8	108,5	96,2	84,3	72,3
	Pr	kW	598,2	581,1	564,1	547,4	532,3	517,2	641,6	622,9	604,4	586,4	570,2	554,1
	qwr	m ³ /h	102,89	99,95	97,03	94,15	91,56	88,95	119,91	117,26	114,38	111,33	110,39	105,35
	dpwr	kPa	110,4	104,2	98,2	92,5	87,4	82,5	121,0	115,2	109,1	103,0	97,3	91,6
8 °C	Pf	kW	517,3	491,3	463,8	434,4	404,6	372,1	609,9	582,1	552,0	519,5	486,4	450,6
	Pa	kW	96,1	104,3	114,1	125,9	140,0	156,5	100,5	110,8	122,2	134,9	149,2	165,4
	qw	m ³ /h	88,81	84,35	79,62	74,58	69,46	63,89	104,71	99,94	94,76	89,19	83,51	77,36
	dpw	kPa	92,8	84,6	76,2	67,8	59,6	51,3	140,8	128,3	115,3	102,2	89,6	76,9
	Pr	kW	613,4	595,6	577,9	560,4	544,5	528,6	657,7	638,2	619,0	600,1	583,2	566,3
	qwr	m ³ /h	105,51	102,45	99,40	96,39	93,66	90,92	123,00	120,23	117,21	114,00	112,95	107,70
	dpwr	kPa	116,1	109,5	103,0	96,9	91,5	86,2	127,3	121,1	114,6	108,0	101,9	95,7
9 °C	Pf	kW	532,7	506,0	477,7	447,6	416,9	383,7	628,1	599,5	568,5	535,1	501,1	464,3
	Pa	kW	96,3	104,5	114,3	126,1	140,1	156,6	100,7	110,9	122,3	135,0	149,3	165,4
	qw	m ³ /h	91,50	86,93	82,06	76,89	71,62	65,91	107,89	102,98	97,65	91,92	86,08	79,75
	dpw	kPa	97,9	89,3	80,5	71,6	63,0	54,2	149,5	136,2	122,5	108,5	95,2	81,7
	Pr	kW	629,0	610,5	592,0	573,7	557,1	540,3	674,1	653,9	633,8	614,2	596,4	578,7
	qwr	m ³ /h	108,19	105,00	101,82	98,68	95,82	92,93	126,17	123,26	120,10	116,74	115,57	110,10
	dpwr	kPa	122,1	115,0	108,1	101,6	95,8	90,1	133,9	127,3	120,3	113,2	106,7	100,0
10 °C	Pf	kW	548,4	521,0	491,9	461,0	429,6	395,5	646,6	617,3	585,4	551,1	516,1	478,3
	Pa	kW	96,5	104,6	114,5	126,3	140,3	156,8	100,8	111,0	122,4	135,1	149,4	165,5
	qw	m ³ /h	94,36	89,65	84,64	79,33	73,92	68,06	111,26	106,21	100,72	94,82	88,80	82,29
	dpw	kPa	103,5	94,4	85,1	75,7	66,7	57,5	159,0	144,9	130,3	115,5	101,3	87,0
	Pr	kW	644,9	625,7	606,4	587,3	569,9	552,3	690,8	669,9	649,0	628,6	610,0	591,5
	qwr	m ³ /h	110,93	107,62	104,30	101,02	98,02	95,00	129,41	126,37	123,06	119,54	118,26	112,56
	dpwr	kPa	128,3	120,8	113,5	106,4	100,2	94,1	140,9	133,8	126,3	118,7	111,7	104,5
11 °C	Pf	kW	564,5	536,4	506,5	474,8	442,6	407,7	665,6	635,5	602,7	567,4	531,5	492,6
	Pa	kW	96,7	104,8	114,7	126,4	140,5	157,0	100,9	111,2	122,5	135,2	149,5	165,6
	qw	m ³ /h	97,29	92,45	87,30	81,83	76,28	70,26	114,72	109,52	103,87	97,79	91,60	84,90
	dpw	kPa	109,3	99,7	90,0	80,1	70,6	60,9	169,0	154,0	138,5	122,8	107,8	92,6
	Pr	kW	661,2	641,2	621,2	601,3	583,0	564,6	708,0	686,3	664,6	643,3	623,9	604,6
	qwr	m ³ /h	113,73	110,29	106,84	103,42	100,28	97,11	132,72	129,54	126,08	122,40	121,01	115,09
	dpwr	kPa	134,9	126,9	119,1	111,5	104,9	98,4	148,2	140,6	132,6	124,5	116,9	109,3

Twout = Outlet water temperature (°C); Pf = Cooling capacity (kW); Pr = Recovery mode heating capacity (kW); Pa = Compressors heating capacity (kW); qw = Water flow (m³/h); dpw = Pressure drop (kPa); qwr = Recovery heat exchanger water flow (m³/h); dpwr = Recovery heat exchanger pressure drop (kPa). Water flow and pressure drop on heat exchanger calculated with ΔT= 5 °C.

PERFORMANCE IN HEAT RECOVERY MODE

CMAA

Twout	140							
	Heat recovery water out							
		30	35	40	45	50	55	
6 °C	Pf	kW	604,2	576,7	546,5	513,8	480,1	443,4
	Pa	kW	108,2	119,2	131,4	145,0	160,4	177,8
	qw	m³/h	103,60	98,89	93,71	88,11	82,34	76,04
	dpw	kPa	117,8	107,3	96,4	85,2	74,4	63,5
	Pr	kW	659,6	640,5	621,7	603,6	587,7	571,9
	qwr	m³/h	123,34	120,74	117,86	114,76	113,81	108,62
	dpwr	kPa	114,9	109,6	104,0	98,2	92,9	87,3
	7 °C	Pf	kW	622,5	594,2	563,1	529,5	494,9
Pa		kW	108,3	119,4	131,5	145,1	160,4	177,9
qw		m³/h	106,80	101,95	96,62	90,85	84,91	78,43
dpw		kPa	125,2	114,1	102,5	90,6	79,1	67,5
Pr		kW	675,8	656,0	636,5	617,6	600,9	584,3
qwr		m³/h	126,52	123,80	120,77	117,51	116,44	111,02
dpwr		kPa	120,9	115,2	109,2	103,0	97,2	91,2
8 °C		Pf	kW	641,2	612,1	580,2	545,6	509,9
	Pa	kW	108,4	119,5	131,6	145,2	160,5	177,9
	qw	m³/h	110,08	105,09	99,60	93,66	87,55	80,88
	dpw	kPa	133,0	121,2	108,9	96,3	84,1	71,8
	Pr	kW	692,4	671,8	651,6	631,9	614,4	597,1
	qwr	m³/h	129,78	126,93	123,75	120,33	119,14	113,48
	dpwr	kPa	127,2	121,1	114,7	108,0	101,7	95,3
	9 °C	Pf	kW	660,3	630,4	597,6	562,0	525,4
Pa		kW	108,5	119,6	131,7	145,3	160,6	178,0
qw		m³/h	113,43	108,30	102,66	96,55	90,25	83,39
dpw		kPa	141,2	128,7	115,7	102,3	89,4	76,3
Pr		kW	709,4	688,0	667,0	646,5	628,2	610,1
qwr		m³/h	133,11	130,13	126,81	123,22	121,90	116,00
dpwr		kPa	133,8	127,3	120,4	113,2	106,5	99,6
10 °C		Pf	kW	679,9	649,2	615,5	578,9	541,2
	Pa	kW	108,6	119,7	131,8	145,4	160,7	178,1
	qw	m³/h	116,99	111,71	105,90	99,60	93,12	86,06
	dpw	kPa	150,2	136,9	123,1	108,9	95,2	81,3
	Pr	kW	726,8	704,6	682,8	661,4	642,4	623,4
	qwr	m³/h	136,52	133,40	129,93	126,17	124,73	118,59
	dpwr	kPa	140,7	133,8	126,4	118,7	111,5	104,1
	11 °C	Pf	kW	700,0	668,4	633,7	596,1	557,4
Pa		kW	108,6	119,8	132,0	145,5	160,8	178,1
qw		m³/h	120,64	115,20	109,22	102,74	96,07	88,80
dpw		kPa	159,7	145,6	130,9	115,8	101,3	86,5
Pr		kW	744,6	721,6	698,9	676,8	656,9	637,1
qwr		m³/h	140,00	136,75	133,13	129,20	127,63	121,24
dpwr		kPa	148,0	140,6	132,7	124,5	116,8	108,8

Twout = Outlet water temperature (°C); Pf = Cooling capacity (kW); Pr = Recovery mode heating capacity (kW); Pa = Compressors heating capacity (kW); qw = Water flow (m³/h); dpw = Pressure drop (kPa); qwr = Recovery heat exchanger water flow (m³/h); dpwr = Recovery heat exchanger pressure drop (kPa). Water flow and pressure drop on heat exchanger calculated with $\Delta T = 5$ °C.

Technical data

COOLING CAPACITY PERFORMANCE

CMAA LN

Twout	012							015						
	Outdoor air temperature							Outdoor air temperature						
	25	30	32	35	40	43	25	30	32	35	40	43		
6°C	Pf	kW	47,9	45,2	44,0	42,2	40,4	38,6	59,2	55,9	54,5	52,3	50,1	47,9
	Pa	kW	11,7	12,9	13,4	14,2	15,1	16,0	13,4	14,7	15,3	16,2	17,3	18,4
	qw	m ³ /h	8,22	7,75	7,55	7,24	6,93	6,62	10,15	9,58	9,34	8,98	8,59	8,22
	dpw	kPa	70,5	63,3	60,5	56,1	51,8	47,7	56,9	51,3	49,0	45,6	42,2	38,9
7°C	Pf	kW	49,3	46,4	45,2	43,4	41,5	39,6	60,8	57,4	56,0	53,8	51,5	49,2
	Pa	kW	11,8	13,0	13,5	14,3	15,2	16,2	13,5	14,9	15,4	16,4	17,4	18,5
	qw	m ³ /h	8,46	7,97	7,76	7,45	7,12	6,80	10,43	9,85	9,60	9,23	8,83	8,44
	dpw	kPa	74,2	66,6	63,6	59,0	54,5	50,1	59,8	53,9	51,5	47,9	44,3	40,8
8°C	Pf	kW	50,7	47,7	46,5	44,6	42,6	40,7	62,5	59,0	57,5	55,2	52,9	50,5
	Pa	kW	11,9	13,1	13,6	14,4	15,4	16,3	13,6	15,0	15,6	16,5	17,6	18,7
	qw	m ³ /h	8,70	8,19	7,98	7,66	7,32	6,99	10,73	10,12	9,87	9,48	9,07	8,67
	dpw	kPa	78,0	70,0	66,8	62,0	57,2	52,6	62,8	56,6	54,1	50,3	46,5	42,9
9°C	Pf	kW	52,1	49,0	47,8	45,8	43,8	41,8	64,2	60,6	59,0	56,7	54,3	51,9
	Pa	kW	12,0	13,2	13,7	14,5	15,5	16,5	13,7	15,1	15,7	16,7	17,7	18,8
	qw	m ³ /h	8,94	8,42	8,20	7,87	7,52	7,18	11,03	10,40	10,14	9,74	9,32	8,91
	dpw	kPa	82,0	73,6	70,2	65,1	60,1	55,2	66,0	59,4	56,8	52,8	48,8	45,0
10°C	Pf	kW	53,5	50,3	49,0	47,0	45,0	42,9	65,9	62,2	60,6	58,2	55,7	53,2
	Pa	kW	12,1	13,3	13,8	14,7	15,6	16,6	13,8	15,2	15,8	16,8	17,9	19,0
	qw	m ³ /h	9,20	8,66	8,44	8,09	7,74	7,38	11,34	10,70	10,43	10,01	9,58	9,16
	dpw	kPa	86,3	77,5	73,9	68,5	63,2	58,0	69,5	62,5	59,7	55,5	51,3	47,3
11°C	Pf	kW	54,9	51,7	50,3	48,3	46,2	44,0	67,7	63,8	62,2	59,6	57,2	54,6
	Pa	kW	12,2	13,4	14,0	14,8	15,7	16,7	14,0	15,4	16,0	16,9	18,0	19,1
	qw	m ³ /h	9,47	8,91	8,68	8,32	7,96	7,58	11,66	11,00	10,72	10,28	9,85	9,41
	dpw	kPa	90,9	81,5	77,7	72,0	66,5	61,0	73,1	65,7	62,8	58,2	53,9	49,6

Twout	018							023						
	Outdoor air temperature							Outdoor air temperature						
	25	30	32	35	40	43	25	30	32	35	40	43		
6°C	Pf	kW	68,4	64,4	62,7	60,1	57,5	54,8	85,8	81,5	79,6	76,6	73,4	70,2
	Pa	kW	16,8	18,5	19,3	20,5	21,8	23,2	18,4	20,4	21,2	22,6	24,1	25,7
	qw	m ³ /h	11,73	11,04	10,76	10,31	9,85	9,39	14,72	13,97	13,65	13,14	12,59	12,04
	dpw	kPa	67,8	60,8	58,0	53,7	49,5	45,4	72,4	65,9	63,2	59,0	54,7	50,5
7°C	Pf	kW	70,3	66,2	64,4	61,8	59,0	56,3	88,2	83,7	81,8	78,7	75,4	72,1
	Pa	kW	17,0	18,7	19,5	20,6	22,0	23,4	18,6	20,5	21,4	22,8	24,3	25,9
	qw	m ³ /h	12,07	11,36	11,06	10,60	10,13	9,65	15,14	14,36	14,03	13,51	12,94	12,37
	dpw	kPa	71,3	63,9	60,9	56,5	52,0	47,7	76,1	69,3	66,4	62,0	57,4	53,0
8°C	Pf	kW	72,3	68,0	66,2	63,5	60,6	57,8	90,6	86,0	84,0	80,8	77,4	74,0
	Pa	kW	17,1	18,9	19,6	20,8	22,2	23,6	18,7	20,7	21,6	22,9	24,5	26,1
	qw	m ³ /h	12,41	11,67	11,37	10,89	10,41	9,92	15,56	14,76	14,42	13,88	13,29	12,71
	dpw	kPa	74,9	67,2	64,0	59,3	54,6	50,1	80,0	72,8	69,7	65,1	60,3	55,6
9°C	Pf	kW	74,2	69,8	68,0	65,2	62,3	59,3	93,1	88,3	86,2	83,0	79,5	76,0
	Pa	kW	17,3	19,0	19,8	21,0	22,4	23,8	18,9	20,9	21,7	23,1	24,7	26,3
	qw	m ³ /h	12,75	12,00	11,68	11,19	10,70	10,18	16,00	15,17	14,81	14,25	13,65	13,05
	dpw	kPa	78,8	70,5	67,2	62,3	57,4	52,5	84,1	76,4	73,2	68,3	63,2	58,3
10°C	Pf	kW	76,3	71,7	69,8	66,9	63,9	60,8	95,6	90,7	88,5	85,2	81,6	78,0
	Pa	kW	17,4	19,2	20,0	21,2	22,5	24,0	19,1	21,0	21,9	23,3	24,9	26,5
	qw	m ³ /h	13,12	12,34	12,01	11,51	11,00	10,47	16,46	15,60	15,23	14,65	14,03	13,42
	dpw	kPa	82,9	74,2	70,7	65,5	60,3	55,2	88,5	80,4	77,0	71,8	66,4	61,3
11°C	Pf	kW	78,3	73,6	71,7	68,7	65,6	62,4	98,2	93,1	90,9	87,4	83,7	80,0
	Pa	kW	17,6	19,3	20,1	21,3	22,7	24,2	19,2	21,2	22,1	23,5	25,1	26,7
	qw	m ³ /h	13,50	12,69	12,35	11,84	11,31	10,76	16,93	16,04	15,66	15,06	14,42	13,79
	dpw	kPa	87,2	78,0	74,3	68,9	63,4	58,0	93,1	84,5	80,9	75,5	69,8	64,4

Twout = Leaving water temperature (°C) ; Pf = Cooling capacity (kW) ; Pa = Compressors power input (kW) ; qw = Water flow (m³/h) ; dpw = Pressure drop (kPa).
Water flow and pressure drop on heat exchanger calculated with ΔT= 5 °C.

Technical data

COOLING CAPACITY PERFORMANCE

CMAA LN

Twout	030							033						
	Outdoor air temperature							Outdoor air temperature						
	25	30	32	35	40	43	25	30	32	35	40	43		
6°C	Pf	kW	114,0	107,5	104,7	100,5	96,1	91,8	126,1	119,1	116,2	111,8	107,0	102,3
	Pa	kW	26,8	29,7	30,9	32,9	35,2	37,5	29,0	32,3	33,7	36,0	38,6	41,2
	qw	m³/h	19,54	18,43	17,96	17,24	16,48	15,74	21,62	20,43	19,93	19,16	18,35	17,54
	dpw	kPa	69,3	62,3	59,5	55,3	51,0	46,9	56,2	50,8	48,6	45,3	41,8	38,6
7°C	Pf	kW	117,2	110,4	107,6	103,3	98,8	94,3	129,5	122,4	119,4	114,8	109,9	105,1
	Pa	kW	27,0	29,9	31,1	33,2	35,4	37,8	29,2	32,5	33,9	36,2	38,9	41,5
	qw	m³/h	20,10	18,95	18,47	17,72	16,95	16,18	22,22	21,00	20,49	19,70	18,86	18,03
	dpw	kPa	72,9	65,5	62,6	58,1	53,6	49,3	59,1	53,4	51,1	47,5	44,0	40,5
8°C	Pf	kW	120,4	113,5	110,6	106,1	101,5	96,8	133,1	125,7	122,7	117,9	112,9	107,9
	Pa	kW	27,2	30,1	31,4	33,4	35,7	38,1	29,4	32,7	34,2	36,5	39,1	41,8
	qw	m³/h	20,67	19,48	18,98	18,21	17,42	16,62	22,85	21,59	21,06	20,24	19,38	18,52
	dpw	kPa	76,6	68,9	65,7	61,0	56,3	51,8	62,1	56,1	53,6	49,9	46,2	42,6
9°C	Pf	kW	123,7	116,6	113,6	109,0	104,2	99,4	136,7	129,1	126,0	121,0	115,9	110,8
	Pa	kW	27,4	30,4	31,6	33,7	36,0	38,4	29,6	33,0	34,4	36,8	39,4	42,1
	qw	m³/h	21,25	20,02	19,51	18,72	17,90	17,07	23,48	22,18	21,64	20,79	19,90	19,03
	dpw	kPa	80,5	72,4	69,1	64,1	59,1	54,3	65,2	58,9	56,3	52,4	48,5	44,7
10°C	Pf	kW	127,1	119,7	116,6	111,9	107,0	102,0	140,4	132,6	129,3	124,2	118,9	113,7
	Pa	kW	27,6	30,6	31,9	33,9	36,3	38,7	29,9	33,2	34,7	37,0	39,7	42,4
	qw	m³/h	21,86	20,60	20,07	19,25	18,41	17,55	24,15	22,81	22,25	21,37	20,46	19,56
	dpw	kPa	84,8	76,1	72,7	67,4	62,2	57,1	68,6	61,9	59,2	55,1	50,9	47,0
11°C	Pf	kW	130,5	122,9	119,7	114,8	109,8	104,7	144,1	136,1	132,7	127,5	122,1	116,6
	Pa	kW	27,8	30,8	32,1	34,2	36,5	39,0	30,1	33,5	34,9	37,3	40,0	42,7
	qw	m³/h	22,49	21,18	20,63	19,79	18,92	18,04	24,84	23,45	22,87	21,97	21,04	20,10
	dpw	kPa	89,2	80,1	76,4	70,9	65,4	60,0	72,2	65,1	62,2	57,9	53,5	49,3

Twout	037						044							
	Outdoor air temperature						Outdoor air temperature							
	25	30	32	35	40	43	25	30	32	35	40	43		
6°C	Pf	kW	141,1	133,1	129,8	124,5	118,9	113,4	163,2	155,1	151,6	146,1	140,1	134,1
	Pa	kW	34,5	38,2	39,9	42,4	45,3	48,3	36,8	40,5	42,2	44,7	47,6	50,6
	qw	m³/h	24,20	22,83	22,25	21,34	20,40	19,44	27,98	26,59	26,00	25,05	24,03	23,00
	dpw	kPa	65,4	58,9	56,2	52,1	48,0	44,1	48,0	43,8	42,0	39,3	36,5	33,7
7°C	Pf	kW	145,0	136,8	133,3	127,9	122,2	116,4	167,6	159,3	155,7	150,0	143,8	137,7
	Pa	kW	34,8	38,5	40,1	42,7	45,7	48,7	37,1	40,8	42,4	45,0	47,9	50,9
	qw	m³/h	24,89	23,47	22,87	21,94	20,96	19,97	28,76	27,33	26,71	25,74	24,68	23,62
	dpw	kPa	68,7	61,9	59,1	54,8	50,5	46,3	50,4	46,0	44,1	41,3	38,3	35,4
8°C	Pf	kW	149,0	140,5	136,9	131,3	125,5	119,5	172,2	163,5	159,8	154,0	147,6	141,3
	Pa	kW	35,0	38,8	40,4	43,0	46,0	49,0	37,3	41,1	42,7	45,3	48,3	51,3
	qw	m³/h	25,59	24,13	23,51	22,54	21,54	20,51	29,56	28,08	27,44	26,43	25,35	24,26
	dpw	kPa	72,3	65,0	62,0	57,5	53,0	48,6	53,0	48,3	46,3	43,3	40,2	37,1
9°C	Pf	kW	153,1	144,3	140,6	134,8	128,8	122,6	176,8	167,9	164,0	158,0	151,5	145,0
	Pa	kW	35,2	39,0	40,7	43,3	46,3	49,3	37,5	41,3	43,0	45,6	48,6	51,6
	qw	m³/h	26,30	24,79	24,15	23,16	22,13	21,07	30,37	28,84	28,18	27,14	26,02	24,90
	dpw	kPa	75,9	68,3	65,1	60,4	55,6	50,9	55,6	50,7	48,6	45,4	42,1	38,9
10°C	Pf	kW	157,2	148,2	144,4	138,4	132,2	125,8	181,5	172,3	168,3	162,1	155,4	148,7
	Pa	kW	35,5	39,3	41,0	43,6	46,6	49,7	37,8	41,6	43,3	45,9	48,9	52,0
	qw	m³/h	27,05	25,50	24,84	23,82	22,75	21,65	31,23	29,65	28,97	27,89	26,74	25,59
	dpw	kPa	79,9	71,8	68,5	63,5	58,5	53,5	58,5	53,3	51,1	47,7	44,2	40,9
11°C	Pf	kW	161,4	152,1	148,2	142,1	135,7	129,1	186,3	176,8	172,7	166,3	159,4	152,5
	Pa	kW	35,7	39,6	41,3	43,9	46,9	50,0	38,0	41,9	43,6	46,2	49,2	52,3
	qw	m³/h	27,82	26,22	25,53	24,48	23,39	22,25	32,11	30,47	29,77	28,66	27,47	26,29
	dpw	kPa	84,0	75,5	72,0	66,8	61,5	56,2	61,5	56,0	53,7	50,1	46,4	42,9

Twout = Leaving water temperature (°C) ; Pf = Cooling capacity (kW); Pa = Compressors power input (kW); qw = Water flow (m³/h); dpw = Pressure drop (kPa).
Water flow and pressure drop on heat exchanger calculated with ΔT= 5 °C.

Technical data

COOLING CAPACITY PERFORMANCE

CMAA LN

Twout	047							057						
	Outdoor air temperature							Outdoor air temperature						
	25	30	32	35	40	43	25	30	32	35	40	43		
6°C	Pf	kW	176,7	167,5	163,6	157,5	151,0	144,3	216,2	203,8	198,7	190,6	182,3	173,9
	Pa	kW	40,5	44,6	46,4	49,2	52,4	55,6	51,7	57,4	59,9	63,9	68,4	73,1
	qw	m ³ /h	30,30	28,73	28,06	27,01	25,90	24,74	37,07	34,95	34,07	32,69	31,26	29,82
	dpw	kPa	53,0	48,1	46,1	43,1	39,9	36,8	67,8	61,0	58,2	54,1	49,9	45,8
7°C	Pf	kW	181,5	172,0	168,0	161,7	154,9	148,1	222,2	209,4	204,1	195,8	187,3	178,6
	Pa	kW	40,8	45,0	46,7	49,6	52,8	56,0	52,0	57,8	60,3	64,3	68,9	73,6
	qw	m ³ /h	31,14	29,52	28,83	27,74	26,57	25,41	38,12	35,94	35,02	33,60	32,13	30,64
	dpw	kPa	55,6	50,5	48,4	45,2	41,8	38,6	71,3	64,1	61,2	56,8	52,4	48,1
8°C	Pf	kW	186,4	176,6	172,5	165,9	158,9	151,9	228,3	215,2	209,7	201,2	192,4	183,4
	Pa	kW	41,1	45,3	47,1	49,9	53,1	56,4	52,4	58,2	60,7	64,8	69,3	74,1
	qw	m ³ /h	31,99	30,32	29,61	28,48	27,28	26,09	39,19	36,94	36,00	34,53	33,02	31,48
	dpw	kPa	58,4	53,0	50,8	47,4	43,8	40,5	75,0	67,4	64,3	59,7	55,1	50,5
9°C	Pf	kW	191,3	181,3	177,0	170,2	163,0	155,9	234,5	221,0	215,3	206,6	197,5	188,3
	Pa	kW	41,4	45,6	47,4	50,3	53,5	56,9	52,8	58,6	61,1	65,2	69,8	74,6
	qw	m ³ /h	32,87	31,14	30,40	29,24	28,00	26,78	40,28	37,96	36,99	35,49	33,93	32,34
	dpw	kPa	61,3	55,6	53,3	49,7	46,0	42,4	78,8	70,8	67,5	62,7	57,8	53,0
10°C	Pf	kW	196,4	186,0	181,6	174,6	167,2	159,9	240,8	226,9	221,1	212,1	202,8	193,2
	Pa	kW	41,7	45,9	47,7	50,6	53,9	57,3	53,1	59,0	61,6	65,7	70,3	75,1
	qw	m ³ /h	33,79	32,01	31,24	30,05	28,77	27,51	41,44	39,05	38,04	36,49	34,89	33,24
	dpw	kPa	64,5	58,5	56,0	52,2	48,3	44,5	82,9	74,5	71,0	65,9	60,8	55,7
11°C	Pf	kW	201,6	190,8	186,3	179,1	171,5	163,9	247,3	233,0	226,9	217,7	208,2	198,2
	Pa	kW	42,0	46,2	48,1	51,0	54,3	57,7	53,5	59,4	62,0	66,1	70,8	75,6
	qw	m ³ /h	34,74	32,89	32,10	30,87	29,56	28,25	42,62	40,15	39,11	37,52	35,87	34,16
	dpw	kPa	67,7	61,4	58,8	54,8	50,6	46,7	87,2	78,3	74,7	69,3	63,9	58,5

Twout	070							087						
	Outdoor air temperature							Outdoor air temperature						
	25	30	32	35	40	43	25	30	32	35	40	43		
6°C	Pf	kW	268,4	252,9	246,5	236,4	226,1	215,6	331,6	312,3	304,1	291,3	277,8	263,8
	Pa	kW	60,3	67,2	70,2	75,0	80,4	86,0	81,3	89,7	93,3	99,1	105,6	112,3
	qw	m ³ /h	46,02	43,38	42,27	40,55	38,77	36,98	56,87	53,56	52,14	49,95	47,64	45,24
	dpw	kPa	71,3	64,1	61,2	56,8	52,4	48,1	72,1	64,8	61,7	57,1	52,5	47,8
7°C	Pf	kW	275,7	259,8	253,1	242,8	232,2	221,4	340,7	320,7	312,2	299,1	285,2	270,7
	Pa	kW	60,8	67,7	70,7	75,5	81,0	86,6	81,8	90,3	93,9	99,8	106,3	113,1
	qw	m ³ /h	47,30	44,58	43,43	41,66	39,84	37,98	58,45	55,03	53,57	51,31	48,94	46,45
	dpw	kPa	74,9	67,3	64,3	59,6	55,0	50,5	75,8	68,0	64,8	59,9	55,1	50,1
8°C	Pf	kW	283,2	266,8	259,9	249,3	238,4	227,2	349,8	329,3	320,5	307,0	292,8	277,7
	Pa	kW	61,2	68,2	71,2	76,1	81,6	87,2	82,3	90,9	94,6	100,4	107,1	113,8
	qw	m ³ /h	48,61	45,80	44,62	42,80	40,92	39,00	60,06	56,53	55,02	52,70	50,26	47,68
	dpw	kPa	78,7	70,7	67,5	62,6	57,7	52,9	79,6	71,4	68,0	62,9	57,8	52,5
9°C	Pf	kW	290,8	273,9	266,8	255,9	244,7	233,1	359,2	338,0	328,9	315,0	300,4	284,9
	Pa	kW	61,7	68,7	71,7	76,6	82,1	87,8	82,9	91,5	95,2	101,1	107,8	114,6
	qw	m ³ /h	49,95	47,05	45,83	43,96	42,03	40,04	61,70	58,06	56,50	54,12	51,60	48,93
	dpw	kPa	82,6	74,2	70,8	65,7	60,6	55,5	83,5	74,9	71,3	66,0	60,6	55,0
10°C	Pf	kW	298,5	281,1	273,8	262,7	251,1	239,1	368,7	346,8	337,5	323,2	308,1	292,1
	Pa	kW	62,1	69,2	72,2	77,2	82,7	88,5	83,4	92,1	95,8	101,8	108,5	115,4
	qw	m ³ /h	51,36	48,37	47,11	45,19	43,20	41,15	63,44	59,68	58,07	55,62	53,01	50,26
	dpw	kPa	86,9	78,0	74,4	69,0	63,7	58,3	87,8	78,7	74,9	69,3	63,6	57,8
11°C	Pf	kW	306,4	288,5	280,9	269,5	257,6	245,3	378,4	355,8	346,2	331,6	315,9	299,5
	Pa	kW	62,6	69,7	72,8	77,7	83,3	89,1	84,0	92,7	96,5	102,5	109,2	116,2
	qw	m ³ /h	52,80	49,72	48,42	46,45	44,40	42,27	65,22	61,33	59,66	57,15	54,45	51,62
	dpw	kPa	91,3	82,0	78,2	72,5	66,9	61,2	92,3	82,6	78,6	72,8	66,7	60,6

Twout = Leaving water temperature (°C) ; Pf = Cooling capacity (kW) ; Pa = Compressors power input (kW) ; qw = Water flow (m³/h) ; dpw = Pressure drop (kPa).
 Water flow and pressure drop on heat exchanger calculated with ΔT= 5 °C.

Technical data

COOLING CAPACITY PERFORMANCE

CMAA LN

Twout	097							102						
	Outdoor air temperature							Outdoor air temperature						
	25	30	32	35	40	43	25	30	32	35	40	43		
6°C	Pf	kW	365,2	344,7	336,1	322,4	308,1	293,8	390,1	367,5	357,9	343,0	327,5	311,8
	Pa	kW	85,1	93,8	97,6	103,5	110,3	117,2	89,0	98,1	102,0	108,2	115,2	122,5
	qw	m³/h	62,62	59,12	57,63	55,29	52,84	50,38	66,90	63,02	61,38	58,82	56,16	53,46
	d pw	kPa	82,2	74,1	70,8	65,7	60,5	55,6	75,6	67,9	64,8	60,0	55,2	50,5
7°C	Pf	kW	375,1	354,0	345,0	331,0	316,3	301,4	400,6	377,3	367,4	352,0	336,1	319,8
	Pa	kW	85,7	94,5	98,3	104,3	111,1	118,0	89,7	98,8	102,8	109,0	116,1	123,4
	qw	m³/h	64,36	60,74	59,20	56,79	54,27	51,72	68,73	64,73	63,03	60,40	57,66	54,87
	d pw	kPa	86,4	77,8	74,3	68,9	63,5	58,3	79,4	71,3	67,9	62,9	57,9	52,9
8°C	Pf	kW	385,2	363,5	354,2	339,7	324,6	309,2	411,3	387,2	376,9	361,2	344,8	327,9
	Pa	kW	86,3	95,1	99,0	105,0	111,9	118,9	90,3	99,6	103,5	109,9	117,0	124,3
	qw	m³/h	66,13	62,40	60,81	58,32	55,72	53,09	70,61	66,47	64,71	62,01	59,19	56,30
	d pw	kPa	90,7	81,7	78,0	72,3	66,6	61,1	83,3	74,8	71,2	66,0	60,7	55,4
9°C	Pf	kW	395,5	373,1	363,5	348,6	333,0	317,2	422,1	397,3	386,7	370,5	353,6	336,2
	Pa	kW	86,9	95,8	99,7	105,8	112,7	119,7	91,0	100,3	104,3	110,7	117,9	125,3
	qw	m³/h	67,94	64,08	62,44	59,88	57,21	54,48	72,51	68,24	66,43	63,64	60,75	57,75
	d pw	kPa	95,2	85,7	81,8	75,8	69,9	64,0	87,4	78,4	74,7	69,1	63,6	58,0
10°C	Pf	kW	406,0	382,8	372,9	357,6	341,6	325,2	433,2	407,5	396,6	380,0	362,7	344,6
	Pa	kW	87,5	96,5	100,4	106,5	113,5	120,6	91,7	101,1	105,1	111,5	118,8	126,2
	qw	m³/h	69,85	65,87	64,17	61,53	58,78	55,96	74,53	70,12	68,24	65,38	62,40	59,30
	d pw	kPa	100,1	90,0	85,9	79,7	73,4	67,1	91,9	82,3	78,4	72,6	66,7	60,9
11°C	Pf	kW	416,6	392,7	382,6	366,8	350,4	333,5	444,4	417,9	406,7	389,7	371,9	353,2
	Pa	kW	88,2	97,2	101,1	107,3	114,3	121,5	92,4	101,8	105,9	112,4	119,7	127,2
	qw	m³/h	71,81	67,69	65,93	63,22	60,39	57,47	76,59	72,03	70,10	67,15	64,09	60,87
	d pw	kPa	105,2	94,6	90,2	83,6	77,0	70,4	96,5	86,4	82,3	76,2	70,0	63,8

Twout	120							130						
	Outdoor air temperature							Outdoor air temperature						
	25	30	32	35	40	43	25	30	32	35	40	43		
6°C	Pf	kW	454,6	428,2	417,1	400,1	382,7	364,8	497,6	467,7	455,0	435,7	415,6	380,6
	Pa	kW	106,9	117,3	121,9	129,6	138,5	148,0	110,2	121,6	126,5	134,3	143,2	158,7
	qw	m³/h	77,96	73,43	71,53	68,62	65,62	62,55	85,33	80,19	78,03	74,71	71,27	65,27
	d pw	kPa	73,4	65,9	62,9	58,3	53,8	49,4	93,5	82,6	78,2	71,7	65,2	54,7
7°C	Pf	kW	466,5	439,3	427,9	410,4	392,4	374,0	511,1	480,2	467,2	447,3	426,7	390,5
	Pa	kW	107,7	118,2	122,9	130,7	139,7	149,2	111,0	122,5	127,4	135,3	144,3	159,9
	qw	m³/h	80,05	75,37	73,41	70,42	67,34	64,16	87,70	82,39	80,16	76,75	73,21	67,01
	d pw	kPa	77,0	69,1	65,9	61,1	56,4	51,7	98,8	87,2	82,5	75,6	68,8	57,7
8°C	Pf	kW	478,7	450,5	438,8	420,9	402,4	383,3	524,9	493,0	479,5	459,1	437,9	400,6
	Pa	kW	108,5	119,1	123,9	131,8	140,9	150,5	111,9	123,4	128,4	136,4	145,4	161,1
	qw	m³/h	82,18	77,35	75,33	72,26	69,09	65,80	90,11	84,63	82,32	78,82	75,18	68,78
	d pw	kPa	80,7	72,4	69,0	64,0	59,0	54,1	104,3	92,0	87,0	79,8	72,6	60,7
9°C	Pf	kW	491,0	462,0	449,9	431,5	412,6	392,8	538,9	506,0	492,1	471,2	449,3	411,1
	Pa	kW	109,4	120,1	124,9	132,9	142,1	151,8	112,7	124,4	129,4	137,4	146,5	162,3
	qw	m³/h	84,35	79,37	77,28	74,13	70,87	67,47	92,57	86,91	84,53	80,94	77,18	70,62
	d pw	kPa	84,6	75,8	72,2	67,0	61,8	56,6	110,0	97,0	91,8	84,1	76,5	64,0
10°C	Pf	kW	503,6	473,7	461,2	442,4	422,8	402,4	553,1	519,2	504,9	483,4	460,8	421,7
	Pa	kW	110,2	121,1	126,0	134,0	143,3	153,2	113,6	125,3	130,4	138,5	147,6	163,5
	qw	m³/h	86,65	81,51	79,36	76,12	72,76	69,24	95,17	89,33	86,87	83,18	79,29	72,56
	d pw	kPa	88,8	79,5	75,8	70,3	64,8	59,3	116,3	102,5	96,9	88,9	80,7	67,6
11°C	Pf	kW	516,4	485,6	472,7	453,4	433,2	412,3	567,6	532,6	518,2	495,9	472,5	432,5
	Pa	kW	111,1	122,1	127,0	135,1	144,6	154,5	114,5	126,3	131,4	139,5	148,7	164,8
	qw	m³/h	89,00	83,69	81,47	78,15	74,67	71,05	97,83	91,79	89,30	85,46	81,44	74,55
	d pw	kPa	93,2	83,4	79,4	73,7	67,9	62,1	122,9	108,2	102,4	93,8	85,2	71,4

Twout = Leaving water temperature (°C) ; Pf = Cooling capacity (kW); Pa = Compressors power input (kW); qw = Water flow (m³/h); d pw = Pressure drop (kPa).
 Water flow and pressure drop on heat exchanger calculated with $\Delta T = 5^\circ\text{C}$.

Technical data

COOLING CAPACITY PERFORMANCE

CMAA LN

Twout	140							
	Outdoor air temperature							
			25	30	32	35	40	43
6°C	Pf	kW	526,7	493,8	479,9	458,9	436,6	397,7
	Pa	kW	117,1	129,1	134,4	142,7	152,1	168,7
	qw	m ³ /h	90,33	84,69	82,29	78,69	74,87	68,20
	dpw	kPa	89,5	78,7	74,3	68,0	61,5	51,0
7°C	Pf	kW	541,1	507,1	492,7	471,1	448,0	408,2
	Pa	kW	118,0	130,1	135,4	143,8	153,2	170,0
	qw	m ³ /h	92,84	87,00	84,53	80,83	76,87	70,03
	dpw	kPa	94,6	83,1	78,4	71,7	64,9	53,8
8°C	Pf	kW	555,6	520,5	505,8	483,5	459,7	418,8
	Pa	kW	118,9	131,1	136,4	144,8	154,4	171,2
	qw	m ³ /h	95,39	89,36	86,83	83,01	78,91	71,90
	dpw	kPa	99,9	87,6	82,7	75,6	68,3	56,7
9°C	Pf	kW	570,4	534,2	519,0	496,1	471,5	429,7
	Pa	kW	119,8	132,1	137,4	145,9	155,6	172,5
	qw	m ³ /h	97,99	91,77	89,16	85,23	80,99	73,81
	dpw	kPa	105,4	92,4	87,2	79,7	72,0	59,8
10°C	Pf	kW	585,5	548,1	532,6	509,0	483,5	440,8
	Pa	kW	120,7	133,1	138,5	147,0	156,7	173,8
	qw	m ³ /h	100,74	94,31	91,64	87,58	83,20	75,85
	dpw	kPa	111,4	97,6	92,2	84,2	76,0	63,1
11°C	Pf	kW	600,9	562,3	546,3	522,1	495,8	452,2
	Pa	kW	121,6	134,1	139,5	148,2	157,9	175,1
	qw	m ³ /h	103,56	96,91	94,16	89,99	85,44	77,93
	dpw	kPa	117,7	103,1	97,3	88,9	80,1	66,7

Twout = Leaving water temperature (°C) ; Pf = Cooling capacity (kW); Pa = Compressors power input (kW); qw = Water flow (m³/h); dpw = Pressure drop (kPa).
Water flow and pressure drop on heat exchanger calculated with ΔT= 5 °C.

Technical data

HEATING CAPACITY PERFORMANCE

CMAA LN

Ta /R.U.			012						015					
			Tw out						Tw out					
			30	35	40	45	50	55	30	35	40	45	50	55
-5°C / 90 %	Pt	kW	40,6	40,0	39,4	38,9	38,5	38,2	48,9	48,1	47,3	46,6	46,0	45,5
	Pat	kW	10,8	11,9	13,2	14,6	16,3	18,2	12,4	13,7	15,1	16,8	18,6	20,7
	qw	m ³ /h	7,04	6,94	6,85	6,77	6,84	6,69	8,47	8,34	8,22	8,11	8,18	7,95
	dpw	kPa	41,5	40,3	39,3	38,4	39,2	37,4	32,8	31,8	30,9	30,1	30,5	28,9
0°C / 90%	Pt	kW	46,7	45,8	44,9	44,0	43,3	42,6	56,3	55,1	54,0	52,9	51,9	50,9
	Pat	kW	11,0	12,1	13,3	14,7	16,4	18,2	12,6	13,8	15,3	16,9	18,7	20,8
	qw	m ³ /h	8,08	7,94	7,80	7,66	7,69	7,45	9,74	9,56	9,39	9,21	9,22	8,91
	dpw	kPa	54,7	52,8	50,9	49,2	49,5	46,5	43,4	41,8	40,2	38,7	38,9	36,2
7°C / 90%	Pt	kW	56,3	54,9	53,5	52,1	50,9	49,6	67,9	66,3	64,6	62,8	61,2	59,6
	Pat	kW	11,2	12,3	13,5	14,9	16,5	18,3	12,8	14,1	15,5	17,1	18,9	21,0
	qw	m ³ /h	9,75	9,53	9,31	9,08	9,04	8,68	11,76	11,50	11,22	10,95	10,88	10,42
	dpw	kPa	79,6	76,1	72,6	69,1	68,5	63,1	63,2	60,4	57,6	54,7	54,1	49,6
10°C / 90%	Pt	kW	61,0	59,4	57,8	56,1	54,6	53,1	73,6	71,7	69,7	67,7	65,8	63,9
	Pat	kW	11,3	12,4	13,6	15,0	16,6	18,4	12,9	14,2	15,6	17,2	19,0	21,1
	qw	m ³ /h	10,56	10,31	10,04	9,78	9,71	9,29	12,74	12,44	12,12	11,79	11,69	11,17
	dpw	kPa	93,3	89,0	84,5	80,1	78,9	72,2	74,2	70,7	67,1	63,5	62,5	57,0
15°C / 90%	Pt	kW	69,4	67,5	65,5	63,4	61,4	59,5	83,9	81,5	79,1	76,5	74,1	71,6
	Pat	kW	11,4	12,5	13,7	15,1	16,7	18,5	13,0	14,3	15,7	17,3	19,1	21,2
	qw	m ³ /h	12,02	11,71	11,38	11,04	10,92	10,39	14,52	14,14	13,75	13,33	13,17	12,52
	dpw	kPa	121,1	114,9	108,5	102,1	99,8	90,5	96,3	91,4	86,3	81,2	79,3	71,6

Ta /R.U.			018						023					
			Tw out						Tw out					
			30	35	40	45	50	55	30	35	40	45	50	55
-5°C / 90 %	Pt	kW	57,5	56,5	55,7	54,9	54,4	53,8	73,6	72,5	71,4	70,3	69,4	68,6
	Pat	kW	15,1	16,7	18,5	20,5	22,8	25,4	18,4	20,4	22,7	25,3	28,3	31,8
	qw	m ³ /h	9,95	9,81	9,68	9,57	9,66	9,41	12,74	12,57	12,41	12,24	12,34	12,00
	dpw	kPa	39,7	38,6	37,6	36,7	37,4	35,6	43,3	42,2	41,1	40,0	40,6	38,4
0°C / 90%	Pt	kW	66,1	64,8	63,5	62,3	61,2	60,2	84,2	82,6	80,9	79,3	77,8	76,3
	Pat	kW	15,3	16,9	18,7	20,7	22,9	25,5	18,4	20,4	22,7	25,3	28,3	31,7
	qw	m ³ /h	11,44	11,24	11,04	10,85	10,88	10,52	14,57	14,33	14,07	13,81	13,82	13,33
	dpw	kPa	52,5	50,7	48,9	47,2	47,5	44,4	56,7	54,8	52,9	50,9	51,0	47,5
7°C / 90%	Pt	kW	79,8	77,8	75,9	73,9	72,1	70,3	101,0	98,7	96,2	93,6	91,1	88,5
	Pat	kW	15,6	17,2	18,9	20,9	23,2	25,7	18,6	20,5	22,8	25,3	28,2	31,5
	qw	m ³ /h	13,81	13,51	13,20	12,88	12,82	12,29	17,49	17,12	16,72	16,30	16,19	15,48
	dpw	kPa	76,5	73,2	69,8	66,5	65,9	60,6	81,7	78,3	74,7	70,9	69,9	64,0
10°C / 90%	Pt	kW	86,4	84,2	81,9	79,6	77,5	75,2	109,3	106,6	103,7	100,6	97,7	94,6
	Pat	kW	15,7	17,3	19,0	21,0	23,2	25,8	18,7	20,6	22,8	25,3	28,2	31,5
	qw	m ³ /h	14,96	14,61	14,25	13,87	13,77	13,16	18,92	18,49	18,02	17,52	17,35	16,54
	dpw	kPa	89,8	85,7	81,4	77,2	76,0	69,4	95,5	91,3	86,7	82,0	80,4	73,0
15°C / 90%	Pt	kW	98,5	95,8	92,9	90,0	87,2	84,3	124,2	120,9	117,2	113,4	109,6	105,7
	Pat	kW	15,9	17,5	19,2	21,2	23,4	25,9	18,9	20,8	22,9	25,4	28,2	31,4
	qw	m ³ /h	17,06	16,62	16,16	15,67	15,49	14,74	21,51	20,97	20,38	19,75	19,48	18,48
	dpw	kPa	116,7	110,8	104,7	98,5	96,3	87,1	123,5	117,4	110,9	104,1	101,3	91,1

Ta /R.U. = Outdoor air temperature (°C)/Relative humidity (%) Twout = Outlet water temperature (°C); Pt = Heating capacity (kW); Pa = Compressors power input (kW); qw = Water flow (m³/h); dpw = Pressure drop (kPa). Water flow and pressure drop on heat exchanger calculated with ΔT= 5 °C.

Technical data

HEATING CAPACITY PERFORMANCE

CMAA LN

Ta /R.U.			030						033					
			Tw out						Tw out					
			30	35	40	45	50	55	30	35	40	45	50	55
-5°C / 90 %	Pt	kW	93,3	91,9	90,7	89,6	88,8	88,1	110,7	109,0	107,5	106,0	104,9	103,7
	Pat	kW	25,6	28,4	31,5	35,1	39,1	43,6	28,2	31,5	35,1	39,1	43,7	48,7
	qw	m ³ /h	16,16	15,95	15,77	15,61	15,78	15,41	19,16	18,91	18,68	18,47	18,64	18,14
	dpw	kPa	38,6	37,7	36,8	36,0	36,9	35,1	35,9	35,0	34,1	33,3	34,0	32,1
0°C / 90%	Pt	kW	106,9	105,0	103,0	101,2	99,7	98,2	126,7	124,3	122,0	119,8	117,9	115,8
	Pat	kW	25,7	28,5	31,6	35,2	39,2	43,7	28,1	31,4	35,0	39,1	43,7	48,8
	qw	m ³ /h	18,51	18,21	17,92	17,63	17,71	17,17	21,93	21,57	21,21	20,87	20,94	20,24
	dpw	kPa	50,7	49,1	47,5	46,0	46,4	43,6	47,0	45,4	44,0	42,6	42,9	40,0
7°C / 90%	Pt	kW	128,6	125,6	122,7	119,7	117,0	114,2	152,1	148,6	145,1	141,6	138,3	134,9
	Pat	kW	25,9	28,7	31,8	35,3	39,3	43,8	28,1	31,3	34,9	39,0	43,6	48,8
	qw	m ³ /h	22,26	21,80	21,33	20,85	20,79	19,97	26,33	25,78	25,23	24,66	24,58	23,58
	dpw	kPa	73,4	70,3	67,3	64,3	63,9	59,0	67,8	65,0	62,2	59,4	59,0	54,3
10°C / 90%	Pt	kW	139,2	135,8	132,3	128,7	125,5	122,1	164,6	160,5	156,4	152,2	148,3	144,2
	Pat	kW	26,0	28,7	31,8	35,3	39,3	43,8	28,2	31,3	34,9	38,9	43,5	48,7
	qw	m ³ /h	24,10	23,55	22,99	22,42	22,29	21,35	28,49	27,85	27,19	26,52	26,36	25,21
	dpw	kPa	85,9	82,1	78,2	74,4	73,5	67,5	79,3	75,8	72,3	68,7	67,9	62,1
15°C / 90%	Pt	kW	158,4	154,1	149,7	145,2	140,9	136,5	187,3	182,2	177,0	171,6	166,6	161,2
	Pat	kW	26,1	28,9	31,9	35,4	39,4	43,9	28,3	31,3	34,8	38,8	43,4	48,5
	qw	m ³ /h	27,43	26,74	26,02	25,29	25,04	23,87	32,43	31,61	30,77	29,90	29,60	28,19
	dpw	kPa	111,4	105,8	100,2	94,6	92,8	84,3	102,7	97,6	92,5	87,3	85,6	77,7

Ta /R.U.			037						044					
			Tw out						Tw out					
			30	35	40	45	50	55	30	35	40	45	50	55
-5°C / 90 %	Pt	kW	123,6	121,7	120,0	118,3	116,8	115,3	144,9	142,6	140,2	137,8	135,5	133,2
	Pat	kW	32,7	36,2	40,1	44,5	49,4	54,9	37,3	41,0	45,2	49,9	55,2	61,1
	qw	m ³ /h	21,39	21,12	20,86	20,60	20,76	20,16	25,08	24,73	24,38	24,01	24,08	23,29
	dpw	kPa	41,0	40,0	39,0	38,0	38,6	36,4	31,7	30,9	30,0	29,1	29,3	27,4
0°C / 90%	Pt	kW	141,2	138,7	136,1	133,5	131,1	128,6	165,6	162,6	159,4	156,0	152,6	149,1
	Pat	kW	32,7	36,2	40,1	44,5	49,5	55,0	37,3	41,1	45,3	50,0	55,3	61,2
	qw	m ³ /h	24,45	24,06	23,67	23,26	23,30	22,48	28,67	28,21	27,71	27,17	27,11	26,07
	dpw	kPa	53,6	51,9	50,2	48,5	48,7	45,3	41,5	40,2	38,8	37,3	37,1	34,3
7°C / 90%	Pt	kW	169,3	165,6	161,7	157,7	153,8	149,7	198,5	194,3	189,7	184,7	179,6	174,3
	Pat	kW	32,7	36,2	40,1	44,5	49,5	55,0	37,4	41,1	45,3	50,0	55,3	61,2
	qw	m ³ /h	29,32	28,74	28,12	27,47	27,33	26,17	34,37	33,71	32,98	32,18	31,92	30,48
	dpw	kPa	77,0	74,0	70,9	67,6	67,0	61,4	59,6	57,3	54,9	52,3	51,4	46,9
10°C / 90%	Pt	kW	183,1	178,8	174,3	169,5	164,9	160,0	214,6	209,7	204,5	198,8	192,9	186,7
	Pat	kW	32,7	36,2	40,1	44,5	49,4	55,0	37,4	41,1	45,3	50,0	55,3	61,2
	qw	m ³ /h	31,70	31,02	30,30	29,53	29,31	27,98	37,15	36,39	35,55	34,63	34,27	32,65
	dpw	kPa	90,1	86,3	82,3	78,2	77,0	70,2	69,6	66,8	63,8	60,5	59,3	53,8
15°C / 90%	Pt	kW	208,1	202,7	197,0	191,0	185,2	178,9	243,6	237,7	231,3	224,2	216,9	209,3
	Pat	kW	32,7	36,2	40,0	44,4	49,3	54,9	37,3	41,1	45,2	49,9	55,2	61,1
	qw	m ³ /h	36,03	35,17	34,25	33,27	32,90	31,28	42,18	41,25	40,21	39,06	38,54	36,59
	dpw	kPa	116,3	110,9	105,2	99,3	97,0	87,7	89,8	85,9	81,6	77,0	75,0	67,6

Ta /R.U. = Outdoor air temperature (°C)/Relative humidity (%) Twout = Outlet water temperature (°C); Pt = Heating capacity (kW); Pa = Compressors power input (kW); qw = Water flow (m³/h); dpw = Pressure drop (kPa). Water flow and pressure drop on heat exchanger calculated with ΔT= 5 °C.

Technical data

HEATING CAPACITY PERFORMANCE

CMM LN

Ta /R.U.			047						057					
			Tw out						Tw out					
			30	35	40	45	50	55	30	35	40	45	50	55
-5°C / 90 %	Pt	kW	155,9	153,5	151,0	148,5	146,2	144,0	185,3	182,3	179,6	177,4	175,7	174,2
	Pat	kW	40,2	44,3	48,9	54,0	59,8	66,3	49,5	55,1	61,4	68,4	76,3	85,2
	qw	m ³ /h	27,00	26,63	26,26	25,87	25,98	25,18	32,08	31,62	31,23	30,90	31,22	30,46
	dpw	kPa	34,7	33,8	32,8	31,9	32,1	30,2	42,5	41,2	40,2	39,4	40,2	38,3
0°C / 90%	Pt	kW	178,3	175,0	171,5	167,9	164,3	160,8	212,0	208,0	204,2	200,6	197,5	194,5
	Pat	kW	40,3	44,4	49,0	54,1	59,8	66,3	49,4	54,9	61,1	68,1	76,0	84,9
	qw	m ³ /h	30,87	30,36	29,82	29,24	29,20	28,11	36,71	36,09	35,50	34,95	35,10	34,00
	dpw	kPa	45,4	43,9	42,4	40,7	40,6	37,6	55,6	53,7	52,0	50,4	50,8	47,7
7°C / 90%	Pt	kW	213,8	209,1	204,1	198,7	193,2	187,6	255,0	249,2	243,5	237,7	232,3	226,8
	Pat	kW	40,5	44,6	49,1	54,2	59,9	66,4	49,2	54,7	60,8	67,7	75,5	84,3
	qw	m ³ /h	37,01	36,28	35,48	34,60	34,33	32,80	44,15	43,24	42,33	41,41	41,28	39,66
	dpw	kPa	65,2	62,7	59,9	57,0	56,1	51,2	80,4	77,1	73,9	70,7	70,3	64,9
10°C / 90%	Pt	kW	231,1	225,8	220,0	213,7	207,3	200,8	276,1	269,4	262,7	255,9	249,4	242,8
	Pat	kW	40,5	44,6	49,2	54,3	60,0	66,4	49,2	54,6	60,7	67,5	75,3	84,1
	qw	m ³ /h	40,01	39,17	38,24	37,23	36,84	35,11	47,80	46,75	45,68	44,58	44,32	42,44
	dpw	kPa	76,2	73,1	69,6	66,0	64,6	58,7	94,3	90,2	86,1	82,0	81,0	74,3
15°C / 90%	Pt	kW	262,4	255,9	248,8	241,0	233,1	224,9	314,6	306,3	297,8	289,1	280,6	271,9
	Pat	kW	40,6	44,7	49,3	54,4	60,1	66,5	49,3	54,6	60,6	67,4	75,1	83,8
	qw	m ³ /h	45,44	44,40	43,26	41,99	41,42	39,32	54,47	53,15	51,78	50,36	49,87	47,54
	dpw	kPa	98,3	93,9	89,1	83,9	81,7	73,6	122,4	116,5	110,6	104,6	102,6	93,2

Ta /R.U.			070						087					
			Tw out						Tw out					
			30	35	40	45	50	55	30	35	40	45	50	55
-5°C / 90 %	Pt	kW	219,5	216,1	213,0	210,2	207,9	205,7	272,7	268,7	264,9	261,0	257,6	254,2
	Pat	kW	56,4	62,9	70,2	78,3	87,3	97,4	71,5	78,7	86,7	95,7	105,8	117,2
	qw	m ³ /h	38,00	37,49	37,04	36,62	36,94	35,96	47,21	46,63	46,05	45,47	45,76	44,44
	dpw	kPa	40,8	39,7	38,7	37,9	38,5	36,5	42,3	41,2	40,2	39,2	39,7	37,5
0°C / 90%	Pt	kW	251,3	246,6	242,2	237,8	233,9	230,0	311,7	306,4	301,0	295,2	289,6	283,9
	Pat	kW	56,3	62,8	70,1	78,2	87,4	97,6	71,7	78,9	86,9	96,0	106,1	117,5
	qw	m ³ /h	43,52	42,79	42,11	41,43	41,56	40,22	53,97	53,17	52,33	51,43	51,47	49,65
	dpw	kPa	53,5	51,7	50,1	48,5	48,8	45,7	55,3	53,6	51,9	50,2	50,3	46,8
7°C / 90%	Pt	kW	302,2	295,4	288,5	281,6	275,1	268,6	373,9	366,4	358,3	349,5	340,7	331,4
	Pat	kW	56,3	62,7	69,9	78,0	87,2	97,5	71,8	79,0	87,0	96,1	106,3	117,7
	qw	m ³ /h	52,33	51,24	50,16	49,06	48,89	46,96	64,74	63,57	62,29	60,88	60,53	57,95
	dpw	kPa	77,3	74,1	71,0	67,9	67,5	62,2	79,5	76,7	73,6	70,3	69,5	63,7
10°C / 90%	Pt	kW	327,2	319,2	311,2	303,1	295,3	287,4	404,3	395,7	386,3	376,0	365,7	354,7
	Pat	kW	56,4	62,7	69,8	77,9	87,0	97,3	71,8	79,0	87,0	96,1	106,3	117,7
	qw	m ³ /h	56,65	55,39	54,11	52,80	52,47	50,25	70,01	68,65	67,16	65,51	64,97	62,02
	dpw	kPa	90,6	86,6	82,6	78,7	77,7	71,3	93,0	89,4	85,6	81,4	80,1	73,0
15°C / 90%	Pt	kW	372,7	362,7	352,5	342,1	332,0	321,8	459,6	448,8	437,1	424,3	411,1	397,2
	Pat	kW	56,7	62,8	69,8	77,7	86,7	97,0	71,8	78,9	87,0	96,0	106,2	117,6
	qw	m ³ /h	64,52	62,92	61,29	59,59	59,00	56,26	79,57	77,87	75,99	73,90	73,05	69,45
	dpw	kPa	117,5	111,8	106,0	100,2	98,2	89,4	120,1	115,0	109,6	103,6	101,2	91,5

Ta /R.U. = Outdoor air temperature (°C)/Relative humidity (%) Twout = Outlet water temperature (°C); Pt = Heating capacity (kW); Pa = Compressors power input (kW); qw = Water flow (m³/h); dpw = Pressure drop (kPa). Water flow and pressure drop on heat exchanger calculated with ΔT= 5 °C.

Technical data

HEATING CAPACITY PERFORMANCE

CMAA LN

Ta /R.U.	097 Tw out						102 Tw out							
	30	35	40	45	50	55	30	35	40	45	50	55		
-5°C / 90 %	Pt	kW	302,8	298,4	293,8	289,4	285,5	281,8	321,3	316,8	312,4	308,1	304,6	301,7
	Pat	kW	77,9	85,8	94,6	104,6	115,9	128,6	82,8	91,3	100,7	111,5	123,7	137,6
	qw	m ³ /h	52,43	51,77	51,09	50,41	50,73	49,28	55,63	54,97	54,31	53,67	54,12	52,75
	dpw	kPa	48,2	46,9	45,7	44,5	45,1	42,5	44,6	43,5	42,5	41,5	42,2	40,1
0°C / 90%	Pt	kW	346,1	339,9	333,5	326,7	320,4	314,0	367,3	361,0	354,4	347,6	341,3	335,4
	Pat	kW	78,1	86,0	94,8	104,7	116,0	128,7	83,1	91,5	100,9	111,5	123,6	137,3
	qw	m ³ /h	59,92	58,98	57,97	56,91	56,93	54,89	63,59	62,63	61,61	60,54	60,65	58,65
	dpw	kPa	62,9	60,9	58,9	56,7	56,8	52,8	58,2	56,5	54,6	52,8	52,9	49,5
7°C / 90%	Pt	kW	414,9	406,1	396,5	386,2	376,1	365,6	440,7	431,5	421,5	410,8	400,4	390,0
	Pat	kW	78,4	86,3	95,1	105,0	116,2	128,7	83,5	92,1	101,4	111,9	123,8	137,3
	qw	m ³ /h	71,84	70,46	68,93	67,27	66,83	63,92	76,31	74,86	73,28	71,56	71,14	68,19
	dpw	kPa	90,4	87,0	83,2	79,3	78,2	71,6	83,8	80,7	77,3	73,7	72,9	66,9
10°C / 90%	Pt	kW	448,6	438,4	427,3	415,3	403,4	391,0	476,7	466,0	454,3	441,8	429,5	417,0
	Pat	kW	78,5	86,4	95,3	105,1	116,2	128,8	83,7	92,3	101,7	112,2	124,0	137,4
	qw	m ³ /h	77,67	76,07	74,29	72,35	71,69	68,36	82,53	80,85	78,99	76,97	76,31	72,91
	dpw	kPa	105,7	101,4	96,7	91,7	90,0	81,9	98,1	94,1	89,8	85,3	83,8	76,5
15°C / 90%	Pt	kW	509,6	497,0	483,2	468,3	453,3	437,5	541,9	528,6	514,0	498,3	482,5	466,4
	Pat	kW	78,6	86,6	95,4	105,3	116,4	128,9	84,0	92,7	102,1	112,6	124,4	137,7
	qw	m ³ /h	88,23	86,24	84,01	81,57	80,54	76,49	93,82	91,71	89,37	86,81	85,74	81,55
	dpw	kPa	136,4	130,3	123,6	116,6	113,6	102,5	126,7	121,1	115,0	108,5	105,8	95,7

Ta /R.U.	120 Tw out						130 Tw out							
	30	35	40	45	50	55	30	35	40	45	50	55		
-5°C / 90 %	Pt	kW	376,2	369,3	363,4	358,2	354,4	351,7	420,2	414,0	407,6	401,5	396,5	391,8
	Pat	kW	94,1	102,4	112,3	124,0	137,9	154,0	97,6	107,8	119,1	131,8	146,2	162,4
	qw	m ³ /h	65,14	64,08	63,18	62,41	62,98	61,49	72,75	71,82	70,87	69,94	70,46	68,50
	dpw	kPa	44,0	42,5	41,4	40,4	41,1	39,2	68,3	66,6	64,8	63,1	64,1	60,5
0°C / 90%	Pt	kW	429,2	419,9	411,4	403,5	396,8	391,1	480,3	471,4	462,1	452,7	444,3	435,8
	Pat	kW	94,7	102,9	112,8	124,4	138,2	154,4	98,0	108,1	119,4	132,1	146,4	162,5
	qw	m ³ /h	74,31	72,86	71,53	70,29	70,52	68,39	83,15	81,79	80,34	78,86	78,95	76,20
	dpw	kPa	57,2	55,0	53,0	51,2	51,5	48,5	89,2	86,3	83,3	80,3	80,4	74,9
7°C / 90%	Pt	kW	514,0	500,8	488,2	475,9	464,7	454,4	575,9	562,8	548,9	534,4	520,8	506,6
	Pat	kW	95,7	103,8	113,5	125,1	138,9	155,1	98,7	108,8	120,0	132,6	146,8	162,8
	qw	m ³ /h	88,99	86,90	84,88	82,90	82,58	79,46	99,70	97,65	95,43	93,09	92,54	88,58
	dpw	kPa	82,1	78,2	74,6	71,2	70,7	65,4	128,3	123,1	117,5	111,8	110,5	101,2
10°C / 90%	Pt	kW	555,5	540,5	525,8	511,4	498,1	485,6	622,6	607,5	591,3	574,4	558,3	541,5
	Pat	kW	96,2	104,3	113,9	125,5	139,3	155,5	99,0	109,1	120,4	132,9	147,0	163,0
	qw	m ³ /h	96,18	93,78	91,42	89,09	88,51	84,91	107,79	105,40	102,81	100,06	99,21	94,68
	dpw	kPa	95,9	91,1	86,6	82,2	81,2	74,7	149,9	143,4	136,4	129,2	127,0	115,7
15°C / 90%	Pt	kW	631,1	612,6	594,3	576,1	559,0	542,6	707,2	688,5	668,4	647,2	626,8	605,3
	Pat	kW	97,2	105,1	114,7	126,3	140,0	156,2	99,6	109,8	120,9	133,5	147,5	163,4
	qw	m ³ /h	109,26	106,29	103,33	100,36	99,33	94,88	122,44	119,46	116,20	112,74	111,37	105,83
	dpw	kPa	123,7	117,0	110,6	104,4	102,2	93,3	193,5	184,2	174,3	164,0	160,1	144,5

Ta /R.U. = Outdoor air temperature (°C)/Relative humidity (%) Twout = Outlet water temperature (°C); Pt = Heating capacity (kW); Pa = Compressors power input (kW); qw = Water flow (m³/h); dpw = Pressure drop (kPa). Water flow and pressure drop on heat exchanger calculated with ΔT= 5 °C.

HEATING CAPACITY PERFORMANCE
CMAA LN

Ta /R.U.			140					
			Tw out					
			30	35	40	45	50	55
-5°C / 90 %	Pt	kW	440,8	434,6	428,5	422,8	418,5	414,7
	Pat	kW	105,7	116,6	128,8	142,6	158,3	176,3
	qw	m ³ /h	76,31	75,41	74,51	73,65	74,36	72,51
	dpw	kPa	64,3	62,8	61,3	59,9	61,1	58,1
0°C / 90%	Pt	kW	503,4	494,6	485,4	476,1	468,0	459,9
	Pat	kW	106,1	116,9	129,0	142,6	158,1	175,8
	qw	m ³ /h	87,15	85,82	84,39	82,94	83,16	80,41
	dpw	kPa	83,9	81,4	78,7	76,0	76,4	71,4
7°C / 90%	Pt	kW	603,4	590,5	576,4	561,6	547,7	533,1
	Pat	kW	106,7	117,5	129,5	143,0	158,3	175,7
	qw	m ³ /h	104,48	102,45	100,21	97,83	97,32	93,22
	dpw	kPa	120,6	115,9	110,9	105,7	104,6	96,0
10°C / 90%	Pt	kW	652,4	637,4	621,0	603,6	587,0	569,4
	Pat	kW	107,0	117,9	129,9	143,3	158,5	175,8
	qw	m ³ /h	112,95	110,59	107,96	105,15	104,30	99,57
	dpw	kPa	140,9	135,1	128,8	122,1	120,2	109,5
15°C / 90%	Pt	kW	741,2	722,6	702,0	680,1	658,7	636,0
	Pat	kW	107,4	118,4	130,4	143,8	159,0	176,1
	qw	m ³ /h	128,33	125,37	122,05	118,47	117,05	111,21
	dpw	kPa	181,9	173,6	164,6	155,0	151,3	136,6

Ta /R.U. = Outdoor air temperature (°C)/Relative humidity (%) Twout = Outlet water temperature (°C); Pt = Heating capacity (kW); Pa = Compressors power input (kW); qw = Water flow (m³/h); dpw = Pressure drop (kPa). Water flow and pressure drop on heat exchanger calculated with ΔT= 5 °C.

Technical data

PERFORMANCE IN HEAT RECOVERY MODE

CMAA LN

Twout	012							015						
	Heat recovery water out							Heat recovery water out						
	30	35	40	45	50	55	30	35	40	45	50	55		
6 °C	Pf	kW	51,4	48,8	46,1	43,2	40,3	37,2	63,5	60,4	57,1	53,5	50,0	46,1
	Pa	kW	10,3	11,4	12,5	13,8	15,2	16,9	11,8	13,0	14,3	15,8	17,4	19,3
	qw	m ³ /h	8,82	8,38	7,91	7,42	6,92	6,38	10,89	10,35	9,78	9,18	8,57	7,91
	dpw	kPa	79,9	72,9	65,8	58,6	51,6	44,6	64,6	59,0	53,3	47,5	41,9	36,3
	Pr	kW	61,8	60,2	58,6	57,0	55,6	54,1	75,3	73,4	71,4	69,3	67,4	65,4
	qwr	m ³ /h	10,62	10,36	10,08	9,81	9,56	9,30	12,95	12,62	12,27	11,92	11,60	11,26
	dpwr	kPa	94,5	89,9	85,2	80,6	76,5	72,5	76,6	72,7	68,8	64,9	61,4	57,9
7 °C	Pf	kW	53,0	50,4	47,6	44,6	41,6	38,4	65,5	62,3	58,8	55,2	51,6	47,6
	Pa	kW	10,4	11,4	12,5	13,8	15,2	16,9	11,8	13,0	14,3	15,8	17,5	19,3
	qw	m ³ /h	9,10	8,65	8,17	7,66	7,14	6,59	11,23	10,68	10,10	9,48	8,85	8,17
	dpw	kPa	84,6	77,2	69,6	62,0	54,7	47,3	68,3	62,4	56,4	50,3	44,4	38,5
	Pr	kW	63,4	61,8	60,1	58,4	56,9	55,3	77,3	75,3	73,2	71,0	69,0	66,9
	qwr	m ³ /h	10,90	10,63	10,34	10,05	9,78	9,51	13,30	12,95	12,59	12,22	11,87	11,51
	dpwr	kPa	99,6	94,6	89,6	84,6	80,2	75,8	80,8	76,6	72,4	68,2	64,4	60,6
8 °C	Pf	kW	54,7	52,0	49,1	46,0	43,0	39,6	67,5	64,2	60,7	57,0	53,2	49,1
	Pa	kW	10,4	11,4	12,6	13,8	15,3	16,9	11,9	13,0	14,3	15,8	17,5	19,4
	qw	m ³ /h	9,39	8,92	8,43	7,90	7,37	6,80	11,59	11,02	10,42	9,78	9,13	8,43
	dpw	kPa	89,5	81,7	73,7	65,7	58,0	50,1	72,2	66,0	59,6	53,2	47,0	40,7
	Pr	kW	65,1	63,4	61,6	59,9	58,2	56,6	79,3	77,2	75,0	72,8	70,7	68,5
	qwr	m ³ /h	11,19	10,90	10,60	10,30	10,01	9,73	13,65	13,28	12,90	12,52	12,16	11,78
	dpwr	kPa	104,9	99,6	94,2	88,8	84,0	79,3	85,1	80,6	76,1	71,6	67,5	63,4
9 °C	Pf	kW	56,4	53,6	50,6	47,5	44,3	40,9	69,6	66,2	62,6	58,7	54,8	50,7
	Pa	kW	10,4	11,4	12,6	13,8	15,3	16,9	11,9	13,1	14,4	15,8	17,5	19,4
	qw	m ³ /h	9,69	9,21	8,70	8,16	7,61	7,02	11,95	11,37	10,75	10,09	9,42	8,70
	dpw	kPa	94,7	86,4	78,0	69,5	61,4	53,1	76,3	69,7	63,0	56,3	49,8	43,1
	Pr	kW	66,8	65,0	63,2	61,3	59,6	57,8	81,4	79,2	76,9	74,6	72,4	70,0
	qwr	m ³ /h	11,49	11,19	10,87	10,55	10,25	9,95	14,01	13,63	13,23	12,83	12,45	12,05
	dpwr	kPa	110,5	104,8	99,0	93,2	88,0	82,9	89,6	84,8	80,0	75,2	70,8	66,3
10 °C	Pf	kW	58,1	55,3	52,2	49,0	45,7	42,2	71,7	68,2	64,5	60,5	56,6	52,3
	Pa	kW	10,4	11,5	12,6	13,9	15,3	17,0	11,9	13,1	14,4	15,9	17,5	19,4
	qw	m ³ /h	10,00	9,51	8,98	8,43	7,87	7,26	12,33	11,73	11,09	10,42	9,73	8,99
	dpw	kPa	100,3	91,6	82,7	73,7	65,1	56,4	80,8	73,8	66,8	59,6	52,7	45,7
	Pr	kW	68,5	66,7	64,8	62,8	61,0	59,2	83,6	81,3	78,9	76,4	74,1	71,7
	qwr	m ³ /h	11,79	11,47	11,15	10,81	10,50	10,18	14,37	13,98	13,57	13,14	12,74	12,33
	dpwr	kPa	116,4	110,3	104,1	97,9	92,3	86,7	94,4	89,3	84,1	78,9	74,2	69,4
11 °C	Pf	kW	59,9	56,9	53,8	50,5	47,1	43,5	73,8	70,3	66,4	62,4	58,3	53,9
	Pa	kW	10,4	11,5	12,6	13,9	15,3	17,0	11,9	13,1	14,4	15,9	17,6	19,4
	qw	m ³ /h	10,32	9,81	9,27	8,70	8,12	7,50	12,73	12,11	11,45	10,75	10,05	9,29
	dpw	kPa	106,2	97,0	87,6	78,1	69,0	59,8	85,5	78,1	70,7	63,1	55,9	48,5
	Pr	kW	70,3	68,4	66,4	64,4	62,5	60,5	85,8	83,4	80,9	78,3	75,9	73,3
	qwr	m ³ /h	12,10	11,77	11,43	11,07	10,74	10,41	14,75	14,34	13,91	13,47	13,05	12,61
	dpwr	kPa	122,6	116,0	109,4	102,7	96,7	90,7	99,4	93,9	88,4	82,8	77,8	72,6

Twout = Outlet water temperature (°C); Pf = Cooling capacity (kW); Pr = Recovery mode heating capacity (kW); Pa = Compressors heating capacity (kW); qw = Water flow (m³/h); dpw = Pressure drop (kPa); qwr = Recovery heat exchanger water flow (m³/h); dpwr = Recovery heat exchanger pressure drop (kPa). Water flow and pressure drop on heat exchanger calculated with $\Delta T = 5$ °C.

Technical data

PERFORMANCE IN HEAT RECOVERY MODE

CMAA LN

Twout	018							023						
	Heat recovery water out							Heat recovery water out						
	30	35	40	45	50	55	30	35	40	45	50	55		
6°C	Pf	kW	73,4	69,7	65,7	61,5	57,2	52,6	92,1	88,0	83,3	78,3	73,1	67,4
	Pa	kW	14,9	16,3	18,0	19,9	22,0	24,4	16,1	17,8	19,7	21,9	24,4	27,3
	qw	m³/h	12,58	11,95	11,27	10,55	9,82	9,02	15,80	15,08	14,29	13,43	12,54	11,56
	dpw	kPa	76,9	70,0	63,0	56,0	49,2	42,2	82,2	75,6	68,7	61,4	54,2	46,9
	Pr	kW	88,2	86,0	83,7	81,4	79,2	77,0	108,2	105,7	103,0	100,2	97,5	94,7
	qwr	m³/h	15,18	14,80	14,40	14,00	13,63	13,24	18,62	18,19	17,72	17,24	16,77	16,29
	dpwr	kPa	92,4	87,8	83,2	78,6	74,5	70,3	92,5	88,3	83,9	79,3	75,1	70,8
7°C	Pf	kW	75,7	71,9	67,8	63,5	59,1	54,3	94,9	90,6	85,9	80,7	75,4	69,5
	Pa	kW	14,9	16,4	18,0	19,9	22,0	24,4	16,1	17,8	19,7	21,9	24,4	27,3
	qw	m³/h	12,99	12,33	11,64	10,90	10,14	9,32	16,29	15,55	14,74	13,85	12,93	11,93
	dpw	kPa	81,4	74,2	66,8	59,3	52,1	44,8	86,9	79,9	72,6	64,9	57,3	49,6
	Pr	kW	90,6	88,3	85,9	83,4	81,1	78,7	111,1	108,5	105,6	102,6	99,8	96,8
	qwr	m³/h	15,58	15,18	14,77	14,34	13,95	13,54	19,10	18,65	18,17	17,65	17,16	16,64
	dpwr	kPa	97,4	92,5	87,5	82,5	78,1	73,6	97,4	92,9	88,1	83,2	78,6	73,9
8°C	Pf	kW	78,1	74,2	70,0	65,5	61,0	56,1	97,8	93,4	88,5	83,2	77,7	71,7
	Pa	kW	14,9	16,4	18,1	19,9	22,0	24,4	16,2	17,8	19,7	21,9	24,4	27,2
	qw	m³/h	13,40	12,73	12,01	11,25	10,47	9,63	16,79	16,03	15,20	14,28	13,34	12,30
	dpw	kPa	86,1	78,5	70,7	62,8	55,2	47,5	91,8	84,4	76,7	68,6	60,6	52,4
	Pr	kW	93,0	90,6	88,0	85,5	83,0	80,5	114,0	111,2	108,2	105,1	102,1	98,9
	qwr	m³/h	15,99	15,58	15,14	14,70	14,28	13,85	19,60	19,13	18,62	18,08	17,56	17,01
	dpwr	kPa	102,6	97,3	92,0	86,7	81,8	77,0	102,6	97,7	92,5	87,2	82,3	77,3
9°C	Pf	kW	80,5	76,5	72,2	67,6	63,0	57,9	100,7	96,2	91,2	85,7	80,1	73,9
	Pa	kW	15,0	16,4	18,1	20,0	22,1	24,4	16,2	17,9	19,7	21,9	24,4	27,2
	qw	m³/h	13,83	13,14	12,40	11,61	10,81	9,95	17,30	16,53	15,66	14,72	13,75	12,69
	dpw	kPa	91,1	83,1	74,8	66,5	58,5	50,4	96,9	89,2	81,0	72,4	64,1	55,4
	Pr	kW	95,5	92,9	90,3	87,6	85,0	82,4	116,9	114,1	110,9	107,6	104,5	101,1
	qwr	m³/h	16,42	15,98	15,53	15,06	14,62	14,17	20,11	19,62	19,08	18,51	17,97	17,39
	dpwr	kPa	108,1	102,4	96,7	91,0	85,8	80,5	108,0	102,7	97,2	91,5	86,2	80,7
10°C	Pf	kW	83,0	78,8	74,4	69,7	65,0	59,8	103,7	99,1	93,9	88,3	82,5	76,1
	Pa	kW	15,0	16,5	18,1	20,0	22,1	24,5	16,2	17,9	19,8	21,9	24,4	27,2
	qw	m³/h	14,28	13,57	12,81	12,00	11,18	10,29	17,85	17,05	16,16	15,19	14,19	13,10
	dpw	kPa	96,5	88,0	79,3	70,6	62,1	53,5	102,4	94,3	85,7	76,7	67,8	58,7
	Pr	kW	98,0	95,3	92,6	89,7	87,0	84,3	120,0	117,0	113,7	110,2	106,9	103,4
	qwr	m³/h	16,85	16,39	15,92	15,43	14,97	14,49	20,64	20,12	19,56	18,96	18,38	17,78
	dpwr	kPa	113,9	107,8	101,7	95,5	89,9	84,2	113,7	108,0	102,1	96,0	90,2	84,4
11°C	Pf	kW	85,5	81,3	76,7	71,9	67,0	61,7	106,8	102,0	96,7	91,0	85,0	78,5
	Pa	kW	15,0	16,5	18,2	20,0	22,1	24,5	16,3	17,9	19,8	21,9	24,4	27,2
	qw	m³/h	14,74	14,01	13,22	12,39	11,55	10,64	18,41	17,59	16,67	15,68	14,65	13,52
	dpw	kPa	102,2	93,2	84,1	74,8	65,9	56,8	108,3	99,7	90,6	81,1	71,8	62,1
	Pr	kW	100,5	97,8	94,9	91,9	89,1	86,2	123,1	119,9	116,5	112,9	109,4	105,7
	qwr	m³/h	17,29	16,82	16,32	15,81	15,33	14,82	21,17	20,63	20,04	19,42	18,81	18,17
	dpwr	kPa	119,9	113,4	106,9	100,3	94,3	88,2	119,6	113,6	107,2	100,6	94,5	88,2

Twout = Outlet water temperature (°C); Pf = Cooling capacity (kW); Pr = Recovery mode heating capacity (kW); Pa = Compressors heating capacity (kW); qw = Water flow (m³/h); dpw = Pressure drop (kPa); qwr = Recovery heat exchanger water flow (m³/h); dpwr = Recovery heat exchanger pressure drop (kPa). Water flow and pressure drop on heat exchanger calculated with $\Delta T = 5^\circ\text{C}$.

Technical data

PERFORMANCE IN HEAT RECOVERY MODE

CMAA LN

Twout	030							033						
	Heat recovery water out							Heat recovery water out						
	30	35	40	45	50	55	30	35	40	45	50	55		
6 °C	Pf	kW	121,8	115,9	109,5	102,8	96,0	88,5	135,6	128,9	121,8	114,2	106,4	97,8
	Pa	kW	23,4	25,9	28,7	31,9	35,5	39,5	25,2	28,0	31,2	34,8	38,9	43,5
	qw	m ³ /h	20,89	19,87	18,79	17,63	16,46	15,18	23,25	22,11	20,88	19,58	18,24	16,78
	dpw	kPa	78,1	71,4	64,5	57,6	50,9	44,0	64,1	58,5	52,8	47,0	41,4	35,6
	Pr	kW	145,3	141,8	138,3	134,7	131,4	128,1	160,8	156,9	153,0	149,0	145,3	141,4
	qwr	m ³ /h	24,99	24,39	23,78	23,17	22,61	22,03	27,65	26,99	26,31	25,63	24,99	24,32
	dpwr	kPa	92,4	88,0	83,7	79,4	75,6	71,8	74,7	71,2	67,6	64,2	61,0	57,8
7 °C	Pf	kW	125,6	119,5	113,0	106,1	99,0	91,4	139,8	132,9	125,6	117,8	109,8	101,0
	Pa	kW	23,4	25,9	28,7	31,9	35,5	39,6	25,2	28,0	31,2	34,8	38,9	43,5
	qw	m ³ /h	21,56	20,51	19,39	18,20	16,99	15,68	23,99	22,81	21,55	20,21	18,84	17,33
	dpw	kPa	82,7	75,5	68,3	61,0	53,9	46,6	67,8	61,9	55,9	49,8	43,9	37,8
	Pr	kW	149,1	145,5	141,7	138,0	134,5	130,9	165,0	160,9	156,8	152,6	148,7	144,5
	qwr	m ³ /h	25,64	25,02	24,38	23,73	23,14	22,52	28,38	27,68	26,97	26,25	25,58	24,86
	dpwr	kPa	97,3	92,6	88,0	83,4	79,2	75,0	78,7	74,9	71,1	67,3	63,9	60,4
8 °C	Pf	kW	129,5	123,2	116,5	109,4	102,2	94,3	144,1	137,0	129,5	121,5	113,3	104,3
	Pa	kW	23,5	26,0	28,8	31,9	35,5	39,6	25,2	28,0	31,2	34,8	38,9	43,5
	qw	m ³ /h	22,24	21,16	20,01	18,79	17,54	16,19	24,74	23,53	22,24	20,86	19,45	17,90
	dpw	kPa	87,4	79,9	72,3	64,5	57,0	49,4	71,7	65,5	59,1	52,7	46,5	40,0
	Pr	kW	153,0	149,2	145,3	141,3	137,7	133,9	169,3	165,0	160,7	156,3	152,2	147,8
	qwr	m ³ /h	26,32	25,66	24,99	24,31	23,68	23,02	29,12	28,39	27,64	26,88	26,17	25,42
	dpwr	kPa	102,5	97,5	92,4	87,5	83,0	78,4	82,9	78,7	74,6	70,6	66,9	63,1
9 °C	Pf	kW	133,5	127,0	120,2	112,9	105,4	97,3	148,5	141,2	133,5	125,3	116,9	107,6
	Pa	kW	23,5	26,0	28,8	31,9	35,5	39,6	25,2	28,0	31,2	34,8	38,8	43,5
	qw	m ³ /h	22,94	21,82	20,64	19,39	18,11	16,72	25,51	24,26	22,94	21,52	20,07	18,49
	dpw	kPa	92,4	84,5	76,4	68,3	60,4	52,3	75,7	69,2	62,5	55,8	49,2	42,4
	Pr	kW	157,0	153,0	148,9	144,8	140,9	136,9	173,7	169,2	164,7	160,1	155,7	151,1
	qwr	m ³ /h	27,01	26,32	25,62	24,90	24,24	23,54	29,88	29,11	28,33	27,53	26,78	25,99
	dpwr	kPa	107,9	102,5	97,1	91,8	86,9	82,0	87,2	82,8	78,4	74,1	70,1	66,0
10 °C	Pf	kW	137,6	130,9	123,9	116,4	108,7	100,4	153,0	145,6	137,6	129,2	120,5	111,1
	Pa	kW	23,5	26,0	28,8	31,9	35,5	39,6	25,2	28,0	31,2	34,7	38,8	43,4
	qw	m ³ /h	23,68	22,53	21,31	20,02	18,70	17,27	26,32	25,04	23,68	22,23	20,74	19,11
	dpw	kPa	97,9	89,5	81,0	72,4	64,0	55,5	80,1	73,3	66,2	59,1	52,2	45,0
	Pr	kW	161,1	157,0	152,7	148,3	144,2	139,9	178,2	173,6	168,8	163,9	159,3	154,5
	qwr	m ³ /h	27,72	27,00	26,26	25,51	24,80	24,07	30,66	29,85	29,03	28,20	27,41	26,57
	dpwr	kPa	113,7	107,9	102,0	96,3	91,0	85,7	91,8	87,1	82,4	77,7	73,4	69,0
11 °C	Pf	kW	141,8	134,9	127,7	119,9	112,1	103,5	157,6	150,0	141,8	133,2	124,3	114,6
	Pa	kW	23,6	26,0	28,8	32,0	35,5	39,6	25,3	28,0	31,2	34,7	38,8	43,4
	qw	m ³ /h	24,43	23,26	22,00	20,67	19,32	17,85	27,16	25,85	24,44	22,95	21,42	19,74
	dpw	kPa	103,6	94,8	85,8	76,6	67,8	58,8	84,8	77,5	70,1	62,6	55,3	47,8
	Pr	kW	165,3	161,0	156,5	151,9	147,6	143,1	182,9	178,0	173,0	167,9	163,1	158,0
	qwr	m ³ /h	28,44	27,69	26,91	26,13	25,39	24,61	31,45	30,61	29,75	28,88	28,05	27,17
	dpwr	kPa	119,7	113,4	107,2	101,0	95,4	89,7	96,7	91,6	86,5	81,5	76,9	72,1

Twout = Outlet water temperature (°C); Pf = Cooling capacity (kW); Pr = Recovery mode heating capacity (kW); Pa = Compressors heating capacity (kW); qw = Water flow (m³/h); dpw = Pressure drop (kPa); qwr = Recovery heat exchanger water flow (m³/h); dpwr = Recovery heat exchanger pressure drop (kPa). Water flow and pressure drop on heat exchanger calculated with ΔT= 5 °C.

PERFORMANCE IN HEAT RECOVERY MODE
CMAA LN

Twout	037							044						
	Heat recovery water out							Heat recovery water out						
	30	35	40	45	50	55	30	35	40	45	50	55		
6°C	Pf	kW	151,3	143,9	135,9	127,3	118,3	108,3	176,0	167,9	158,9	149,1	138,8	127,3
	Pa	kW	30,2	33,4	37,0	41,1	45,7	50,8	32,4	35,6	39,3	43,4	48,0	53,2
	qw	m³/h	25,94	24,68	23,31	21,83	20,28	18,57	30,18	28,79	27,26	25,57	23,80	21,83
	dpw	kPa	74,1	67,7	61,1	54,3	47,6	40,6	55,0	50,5	45,8	40,8	35,9	30,7
	Pr	kW	181,5	177,4	173,0	168,4	164,0	159,1	208,4	203,5	198,2	192,5	186,8	180,5
	qwr	m³/h	31,22	30,51	29,75	28,96	28,20	27,37	35,84	35,01	34,10	33,11	32,13	31,05
	dpwr	kPa	87,4	83,4	79,4	75,2	71,3	67,2	64,8	61,9	58,7	55,3	52,1	48,7
	7°C	Pf	kW	156,0	148,5	140,2	131,3	122,1	111,9	181,3	173,0	163,8	153,7	143,2
Pa		kW	30,2	33,4	37,0	41,1	45,7	50,8	32,4	35,6	39,3	43,4	48,0	53,2
qw		m³/h	26,77	25,47	24,06	22,54	20,95	19,19	31,11	29,69	28,11	26,38	24,56	22,54
dpw		kPa	78,4	71,7	64,7	57,5	50,4	43,1	58,1	53,4	48,4	43,2	38,0	32,5
Pr		kW	186,2	181,9	177,3	172,4	167,8	162,7	213,7	208,7	203,1	197,1	191,2	184,6
qwr		m³/h	32,03	31,29	30,49	29,66	28,86	27,98	36,76	35,89	34,94	33,91	32,88	31,75
dpwr		kPa	92,0	87,7	83,4	78,9	74,6	70,2	68,2	65,0	61,6	58,0	54,6	50,9
8°C		Pf	kW	160,8	153,1	144,7	135,5	126,0	115,5	186,8	178,3	168,9	158,5	147,6
	Pa	kW	30,3	33,4	37,0	41,1	45,7	50,8	32,4	35,6	39,3	43,4	48,0	53,2
	qw	m³/h	27,61	26,28	24,83	23,27	21,64	19,83	32,07	30,61	28,99	27,21	25,35	23,28
	dpw	kPa	82,9	75,8	68,5	60,9	53,4	45,7	61,3	56,4	51,2	45,6	40,2	34,5
	Pr	kW	191,1	186,5	181,7	176,6	171,7	166,3	219,2	213,9	208,1	201,9	195,6	188,8
	qwr	m³/h	32,86	32,08	31,25	30,38	29,53	28,61	37,70	36,79	35,80	34,72	33,65	32,47
	dpwr	kPa	96,8	92,3	87,5	82,7	78,2	73,4	71,7	68,3	64,7	60,8	57,1	53,2
	9°C	Pf	kW	165,7	157,8	149,2	139,8	130,0	119,3	192,4	183,7	174,0	163,3	152,2
Pa		kW	30,3	33,4	37,0	41,1	45,6	50,8	32,4	35,6	39,3	43,4	48,0	53,2
qw		m³/h	28,47	27,11	25,62	24,01	22,34	20,49	33,04	31,55	29,89	28,06	26,15	24,02
dpw		kPa	87,6	80,2	72,4	64,5	56,6	48,5	64,8	59,6	54,0	48,2	42,5	36,5
Pr		kW	196,0	191,2	186,2	180,9	175,7	170,1	224,7	219,3	213,3	206,7	200,2	193,0
qwr		m³/h	33,71	32,89	32,02	31,11	30,22	29,25	38,66	37,72	36,68	35,56	34,44	33,20
dpwr		kPa	101,9	97,0	91,9	86,7	81,9	76,7	75,4	71,8	67,9	63,8	59,8	55,6
10°C		Pf	kW	170,8	162,7	153,8	144,2	134,2	123,1	198,1	189,1	179,2	168,3	156,9
	Pa	kW	30,3	33,4	37,0	41,1	45,6	50,8	32,4	35,6	39,3	43,4	48,0	53,2
	qw	m³/h	29,39	27,99	26,46	24,80	23,09	21,19	34,08	32,54	30,84	28,96	27,00	24,82
	dpw	kPa	92,7	84,9	76,8	68,3	60,0	51,5	68,5	63,0	57,2	51,1	45,0	38,7
	Pr	kW	201,1	196,1	190,8	185,2	179,8	173,9	230,4	224,8	218,5	211,7	204,9	197,4
	qwr	m³/h	34,58	33,73	32,82	31,86	30,93	29,91	39,64	38,66	37,58	36,41	35,24	33,96
	dpwr	kPa	107,2	102,0	96,5	91,0	85,7	80,2	79,3	75,4	71,3	66,9	62,7	58,2
	11°C	Pf	kW	176,0	167,6	158,5	148,6	138,4	127,1	203,9	194,8	184,6	173,4	161,7
Pa		kW	30,3	33,4	37,0	41,0	45,6	50,8	32,4	35,6	39,3	43,4	48,0	53,2
qw		m³/h	30,32	28,89	27,32	25,62	23,85	21,90	35,14	33,57	31,81	29,89	27,87	25,64
dpw		kPa	98,1	89,9	81,3	72,4	63,7	54,6	72,3	66,6	60,5	54,0	47,7	41,0
Pr		kW	206,2	201,0	195,5	189,7	184,0	177,8	236,3	230,4	223,8	216,8	209,7	201,9
qwr		m³/h	35,47	34,58	33,63	32,63	31,65	30,59	40,64	39,62	38,50	37,28	36,07	34,73
dpwr		kPa	112,8	107,2	101,4	95,4	89,8	83,9	83,3	79,2	74,8	70,1	65,6	60,9

Twout = Outlet water temperature (°C); Pf = Cooling capacity (kW); Pr = Recovery mode heating capacity (kW); Pa = Compressors heating capacity (kW); qw = Water flow (m³/h); dpw = Pressure drop (kPa); qwr = Recovery heat exchanger water flow (m³/h); dpwr = Recovery heat exchanger pressure drop (kPa). Water flow and pressure drop on heat exchanger calculated with ΔT= 5 °C.

Technical data

PERFORMANCE IN HEAT RECOVERY MODE

CMAA LN

Twout	047							057						
	Heat recovery water out							Heat recovery water out						
		30	35	40	45	50	55	30	35	40	45	50	55	
6 °C	Pf	kW	190,4	181,4	171,6	160,8	149,5	137,2	232,4	220,7	208,2	194,9	181,2	166,1
	Pa	kW	35,7	39,3	43,3	47,8	52,8	58,6	45,1	50,0	55,5	61,8	69,0	77,0
	qw	m ³ /h	32,65	31,12	29,42	27,57	25,64	23,52	39,85	37,84	35,70	33,42	31,07	28,49
	dpw	kPa	60,6	55,6	50,2	44,7	39,2	33,6	77,3	70,4	63,4	56,3	49,4	42,2
	Pr	kW	226,1	220,7	214,8	208,5	202,4	195,7	277,5	270,7	263,8	256,7	250,2	243,2
	qwr	m ³ /h	38,89	37,96	36,95	35,87	34,81	33,66	47,73	46,55	45,37	44,16	43,03	41,82
	dpwr	kPa	72,0	68,6	65,0	61,3	57,7	54,0	94,0	89,4	84,9	80,4	76,4	72,2
7 °C	Pf	kW	196,2	187,0	176,8	165,8	154,2	141,5	239,7	227,7	214,9	201,2	187,1	171,7
	Pa	kW	35,7	39,3	43,3	47,8	52,9	58,6	45,1	50,0	55,5	61,8	68,9	77,0
	qw	m ³ /h	33,66	32,08	30,34	28,44	26,46	24,28	41,13	39,06	36,87	34,52	32,11	29,46
	dpw	kPa	64,0	58,7	53,1	47,3	41,5	35,6	81,8	74,5	67,1	59,7	52,4	44,8
	Pr	kW	231,9	226,3	220,1	213,5	207,1	200,1	284,8	277,6	270,4	263,0	256,1	248,6
	qwr	m ³ /h	39,88	38,92	37,86	36,73	35,62	34,42	48,98	47,75	46,51	45,24	44,04	42,77
	dpwr	kPa	75,7	72,1	68,3	64,2	60,4	56,4	99,0	94,1	89,2	84,4	80,0	75,4
8 °C	Pf	kW	202,1	192,7	182,2	170,9	159,0	146,0	247,1	234,8	221,7	207,7	193,2	177,4
	Pa	kW	35,7	39,3	43,3	47,8	52,9	58,6	45,1	50,0	55,5	61,8	68,9	76,9
	qw	m ³ /h	34,70	33,08	31,29	29,33	27,30	25,07	42,43	40,31	38,06	35,65	33,17	30,45
	dpw	kPa	67,6	62,0	56,1	50,0	43,9	37,7	86,5	78,9	71,1	63,2	55,5	47,6
	Pr	kW	237,8	232,0	225,6	218,7	211,9	204,6	292,2	284,8	277,2	269,4	262,1	254,3
	qwr	m ³ /h	40,90	39,90	38,80	37,61	36,45	35,19	50,26	48,98	47,68	46,34	45,08	43,73
	dpwr	kPa	79,7	75,8	71,7	67,4	63,3	59,0	104,2	99,0	93,8	88,6	83,8	78,9
9 °C	Pf	kW	208,2	198,5	187,8	176,1	164,0	150,6	254,8	242,1	228,7	214,3	199,4	183,2
	Pa	kW	35,7	39,3	43,3	47,8	52,9	58,6	45,1	50,0	55,5	61,7	68,8	76,8
	qw	m ³ /h	35,76	34,09	32,26	30,25	28,16	25,87	43,77	41,59	39,28	36,80	34,26	31,46
	dpw	kPa	71,4	65,5	59,3	52,8	46,4	39,9	91,4	83,4	75,3	66,9	58,8	50,5
	Pr	kW	243,9	237,8	231,1	223,9	216,8	209,2	299,9	292,1	284,1	276,0	268,3	260,0
	qwr	m ³ /h	41,94	40,90	39,75	38,52	37,30	35,98	51,58	50,24	48,87	47,47	46,14	44,72
	dpwr	kPa	83,8	79,7	75,2	70,6	66,2	61,6	109,7	104,1	98,5	93,0	87,8	82,5
10 °C	Pf	kW	214,4	204,4	193,4	181,4	169,0	155,3	262,6	249,6	235,8	221,0	205,8	189,1
	Pa	kW	35,7	39,3	43,4	47,8	52,9	58,6	45,1	50,0	55,5	61,7	68,8	76,8
	qw	m ³ /h	36,88	35,17	33,28	31,22	29,08	26,72	45,18	42,95	40,57	38,03	35,41	32,54
	dpw	kPa	75,5	69,3	62,7	55,9	49,2	42,2	96,8	88,4	79,8	71,0	62,5	53,6
	Pr	kW	250,1	243,7	236,8	229,3	221,9	213,9	307,7	299,6	291,3	282,7	274,6	265,9
	qwr	m ³ /h	43,01	41,92	40,73	39,44	38,17	36,79	52,93	51,53	50,10	48,63	47,23	45,74
	dpwr	kPa	88,1	83,7	79,0	74,1	69,4	64,5	115,5	109,5	103,5	97,5	92,0	86,3
11 °C	Pf	kW	220,7	210,5	199,2	186,9	174,2	160,1	270,6	257,3	243,1	227,9	212,3	195,2
	Pa	kW	35,7	39,3	43,4	47,9	52,9	58,6	45,1	50,0	55,5	61,7	68,7	76,7
	qw	m ³ /h	38,03	36,28	34,33	32,22	30,02	27,60	46,63	44,34	41,90	39,28	36,60	33,65
	dpw	kPa	79,8	73,2	66,3	59,1	52,1	44,8	102,5	93,6	84,5	75,3	66,3	57,0
	Pr	kW	256,4	249,8	242,6	234,8	227,1	218,7	315,7	307,3	298,6	289,6	281,1	272,0
	qwr	m ³ /h	44,10	42,97	41,72	40,38	39,06	37,62	54,30	52,85	51,35	49,81	48,35	46,78
	dpwr	kPa	92,6	87,9	82,9	77,7	72,6	67,4	121,6	115,2	108,8	102,4	96,4	90,3

Twout = Outlet water temperature (°C); Pf = Cooling capacity (kW); Pr = Recovery mode heating capacity (kW); Pa = Compressors heating capacity (kW); qw = Water flow (m³/h); dpw = Pressure drop (kPa); qwr = Recovery heat exchanger water flow (m³/h); dpwr = Recovery heat exchanger pressure drop (kPa). Water flow and pressure drop on heat exchanger calculated with $\Delta T = 5$ °C.

Technical data

PERFORMANCE IN HEAT RECOVERY MODE

CMAA LN

Twout	070							087						
	Heat recovery water out							Heat recovery water out						
	30	35	40	45	50	55	30	35	40	45	50	55		
6°C	Pf	kW	287,4	273,1	258,0	241,9	225,3	207,2	354,4	337,5	318,7	298,1	276,4	252,3
	Pa	kW	52,5	58,3	65,0	72,5	81,1	90,7	71,7	78,9	87,0	96,1	106,4	117,8
	qw	m³/h	49,28	46,84	44,24	41,48	38,64	35,53	60,78	57,87	54,65	51,12	47,40	43,26
	dpw	kPa	80,7	73,6	66,4	59,2	52,1	44,8	81,3	74,4	67,2	59,5	52,0	44,1
	Pr	kW	339,8	331,5	323,0	314,4	306,4	297,9	426,1	416,4	405,7	394,2	382,8	370,1
	qwr	m³/h	58,45	57,01	55,56	54,08	52,70	51,24	73,29	71,62	69,78	67,80	65,83	63,66
	dpwr	kPa	96,4	91,8	87,1	82,6	78,4	74,1	101,9	97,3	92,4	87,2	82,2	76,9
	7°C	Pf	kW	296,2	281,6	266,1	249,5	232,5	213,9	365,4	348,0	328,7	307,6	285,4
Pa		kW	52,5	58,3	65,0	72,5	81,0	90,7	71,7	78,9	87,0	96,1	106,3	117,8
qw		m³/h	50,82	48,32	45,65	42,81	39,90	36,71	62,69	59,71	56,41	52,77	48,96	44,72
dpw		kPa	85,3	77,9	70,3	62,6	55,2	47,5	86,0	78,8	71,1	63,1	55,1	46,8
Pr		kW	348,7	340,0	331,1	322,0	313,6	304,6	437,0	426,9	415,7	403,7	391,7	378,5
qwr		m³/h	59,98	58,47	56,94	55,39	53,93	52,39	75,17	73,43	71,51	69,43	67,37	65,10
dpwr		kPa	101,5	96,5	91,5	86,6	82,1	77,5	107,2	102,3	97,0	91,5	86,1	80,4
8°C		Pf	kW	305,3	290,3	274,3	257,3	239,9	220,8	376,5	358,8	339,0	317,3	294,5
	Pa	kW	52,5	58,3	65,0	72,5	81,0	90,6	71,7	78,9	87,0	96,1	106,3	117,8
	qw	m³/h	52,41	49,84	47,10	44,18	41,19	37,91	64,65	61,59	58,20	54,48	50,56	46,22
	dpw	kPa	90,1	82,3	74,4	66,3	58,4	50,3	90,9	83,3	75,2	66,8	58,4	49,7
	Pr	kW	357,8	348,6	339,3	329,8	320,9	311,4	448,2	437,6	426,0	413,4	400,8	387,0
	qwr	m³/h	61,54	59,97	58,36	56,73	55,19	53,56	77,10	75,28	73,27	71,10	68,94	66,56
	dpwr	kPa	106,9	101,5	96,1	90,8	86,0	81,0	112,8	107,5	101,9	95,9	90,2	84,1
	9°C	Pf	kW	314,5	299,2	282,8	265,3	247,4	227,9	388,0	369,8	349,5	327,3	303,9
Pa		kW	52,6	58,4	64,9	72,4	80,9	90,5	71,7	78,9	87,0	96,1	106,3	117,8
qw		m³/h	54,03	51,39	48,58	45,58	42,51	39,14	66,65	63,52	60,04	56,22	52,21	47,75
dpw		kPa	95,2	87,0	78,6	70,1	61,8	53,3	96,0	88,0	79,5	70,7	61,8	52,7
Pr		kW	367,1	357,5	347,7	337,8	328,4	318,4	459,7	448,6	436,5	423,3	410,2	395,7
qwr		m³/h	63,15	61,50	59,81	58,10	56,48	54,77	79,06	77,17	75,08	72,81	70,55	68,07
dpwr		kPa	112,6	106,8	101,0	95,3	90,0	84,7	118,6	113,0	106,9	100,6	94,4	87,9
10°C		Pf	kW	324,0	308,2	291,4	273,5	255,2	235,1	399,7	381,0	360,3	337,5	313,5
	Pa	kW	52,7	58,4	64,9	72,4	80,9	90,5	71,7	78,9	86,9	96,0	106,3	117,7
	qw	m³/h	55,75	53,04	50,15	47,06	43,90	40,45	68,77	65,56	61,99	58,06	53,95	49,37
	dpw	kPa	100,7	92,1	83,2	74,3	65,5	56,5	101,6	93,2	84,2	74,9	65,6	55,9
	Pr	kW	376,7	366,6	356,4	345,9	336,0	325,6	471,4	459,9	447,2	433,5	419,8	404,7
	qwr	m³/h	64,79	63,06	61,30	59,50	57,80	56,00	81,08	79,10	76,92	74,56	72,20	69,61
	dpwr	kPa	118,5	112,3	106,1	99,9	94,3	88,5	124,7	118,7	112,3	105,5	98,9	91,9
	11°C	Pf	kW	333,7	317,5	300,3	281,9	263,1	242,5	411,7	392,5	371,3	347,9	323,4
Pa		kW	52,7	58,4	64,9	72,4	80,8	90,4	71,7	78,9	86,9	96,0	106,2	117,7
qw		m³/h	57,51	54,73	51,75	48,58	45,34	41,80	70,95	67,65	63,99	59,96	55,73	51,04
dpw		kPa	106,5	97,4	88,1	78,6	69,4	60,0	107,4	98,6	89,2	79,3	69,6	59,4
Pr		kW	386,4	376,0	365,2	354,3	343,9	332,9	483,3	471,4	458,2	443,9	429,6	413,9
qwr		m³/h	66,47	64,67	62,82	60,93	59,15	57,26	83,13	81,08	78,81	76,35	73,89	71,19
dpwr		kPa	124,7	118,0	111,4	104,8	98,8	92,6	131,1	124,7	117,8	110,6	103,6	96,1

Twout = Outlet water temperature (°C); Pf = Cooling capacity (kW); Pr = Recovery mode heating capacity (kW); Pa = Compressors heating capacity (kW); qw = Water flow (m³/h); dpw = Pressure drop (kPa); qwr = Recovery heat exchanger water flow (m³/h); dpwr = Recovery heat exchanger pressure drop (kPa). Water flow and pressure drop on heat exchanger calculated with $\Delta T = 5^\circ\text{C}$.

Technical data

PERFORMANCE IN HEAT RECOVERY MODE

CMAA LN

Twout	097							102						
	Heat recovery water out							Heat recovery water out						
		30	35	40	45	50	55	30	35	40	45	50	55	
6 °C	Pf	kW	390,7	372,3	351,9	329,7	306,6	281,2	416,6	396,7	374,8	351,1	326,5	299,7
	Pa	kW	75,0	82,6	91,0	100,5	111,1	123,1	78,4	86,4	95,2	105,0	116,1	128,7
	qw	m ³ /h	67,00	63,83	60,35	56,54	52,58	48,22	71,44	68,02	64,27	60,20	55,99	51,40
	dpw	kPa	92,8	85,1	76,9	68,4	60,0	51,4	85,1	77,9	70,4	62,5	54,9	47,1
	Pr	kW	465,7	454,8	442,9	430,2	417,7	404,3	495,0	483,1	470,0	456,1	442,6	428,4
	qwr	m ³ /h	80,10	78,23	76,18	73,99	71,85	69,54	85,14	83,09	80,84	78,45	76,13	73,69
	dpwr	kPa	112,4	107,2	101,7	95,9	90,4	84,7	104,4	99,4	94,1	88,6	83,4	78,2
7 °C	Pf	kW	402,6	383,7	362,8	340,0	316,3	290,2	429,2	408,8	386,3	361,9	336,7	309,2
	Pa	kW	75,0	82,6	91,0	100,5	111,1	123,2	78,5	86,5	95,3	105,1	116,2	128,7
	qw	m ³ /h	69,09	65,84	62,25	58,34	54,27	49,79	73,65	70,14	66,28	62,10	57,78	53,06
	dpw	kPa	98,1	90,0	81,3	72,4	63,5	54,4	89,9	82,3	74,4	66,1	58,1	49,8
	Pr	kW	477,6	466,3	453,9	440,5	427,4	413,3	507,7	495,2	481,6	467,0	452,9	438,0
	qwr	m ³ /h	82,15	80,20	78,06	75,77	73,52	71,10	87,32	85,18	82,83	80,33	77,90	75,33
	dpwr	kPa	118,2	112,7	106,7	100,6	94,7	88,5	109,8	104,5	98,8	92,9	87,4	81,7
8 °C	Pf	kW	414,9	395,4	374,0	350,6	326,2	299,4	442,2	421,2	398,1	373,0	347,2	318,9
	Pa	kW	75,0	82,6	91,1	100,5	111,2	123,2	78,5	86,5	95,4	105,2	116,2	128,8
	qw	m ³ /h	71,22	67,88	64,20	60,18	56,00	51,40	75,91	72,30	68,34	64,04	59,60	54,76
	dpw	kPa	103,6	95,1	86,0	76,5	67,2	57,6	95,0	87,0	78,6	69,9	61,4	52,7
	Pr	kW	489,9	478,1	465,0	451,1	437,4	422,6	520,7	507,7	493,4	478,2	463,4	447,7
	qwr	m ³ /h	84,26	82,22	79,99	77,59	75,23	72,69	89,56	87,33	84,87	82,25	79,71	77,01
	dpwr	kPa	124,4	118,4	112,1	105,4	99,1	92,5	115,5	109,8	103,7	97,4	91,5	85,4
9 °C	Pf	kW	427,3	407,4	385,4	361,4	336,4	308,9	455,4	433,8	410,1	384,4	357,9	328,9
	Pa	kW	75,1	82,7	91,1	100,6	111,2	123,2	78,6	86,6	95,4	105,3	116,3	128,8
	qw	m ³ /h	73,41	69,98	66,20	62,07	57,78	53,06	78,23	74,52	70,45	66,04	61,48	56,50
	dpw	kPa	109,4	100,4	90,9	80,9	71,1	61,0	100,2	91,8	83,0	73,9	65,0	55,8
	Pr	kW	502,4	490,1	476,5	461,9	447,6	432,1	534,0	520,5	505,6	489,7	474,2	457,7
	qwr	m ³ /h	86,41	84,29	81,96	79,45	76,98	74,32	91,84	89,52	86,96	84,23	81,56	78,73
	dpwr	kPa	130,8	124,5	117,7	110,6	103,8	96,7	121,4	115,4	108,9	102,1	95,8	89,2
10 °C	Pf	kW	440,1	419,7	397,1	372,4	346,8	318,6	469,0	446,8	422,5	396,1	368,8	339,1
	Pa	kW	75,1	82,7	91,1	100,6	111,2	123,2	78,6	86,7	95,5	105,3	116,4	128,9
	qw	m ³ /h	75,73	72,21	68,32	64,08	59,67	54,82	80,69	76,88	72,69	68,15	63,46	58,35
	dpw	kPa	115,7	106,2	96,2	85,7	75,4	64,7	106,0	97,1	87,8	78,2	68,8	59,1
	Pr	kW	515,2	502,4	488,2	473,0	458,0	441,8	547,6	533,5	518,0	501,4	485,2	468,0
	qwr	m ³ /h	88,61	86,41	83,97	81,36	78,78	75,99	94,18	91,76	89,09	86,24	83,46	80,50
	dpwr	kPa	137,5	130,8	123,5	115,9	108,7	101,2	127,7	121,2	114,3	107,1	100,3	93,3
11 °C	Pf	kW	453,2	432,2	409,0	383,7	357,4	328,5	482,8	460,1	435,1	408,0	380,1	349,6
	Pa	kW	75,1	82,7	91,2	100,6	111,2	123,2	78,7	86,8	95,6	105,4	116,5	129,0
	qw	m ³ /h	78,11	74,49	70,49	66,13	61,60	56,62	83,21	79,29	74,99	70,32	65,50	60,25
	dpw	kPa	122,4	112,4	101,7	90,7	79,8	68,6	112,0	102,7	92,9	82,7	72,8	62,6
	Pr	kW	528,3	514,9	500,2	484,3	468,7	451,8	561,5	546,8	530,7	513,4	496,5	478,5
	qwr	m ³ /h	90,87	88,57	86,03	83,31	80,61	77,70	96,57	94,05	91,28	88,31	85,40	82,31
	dpwr	kPa	144,6	137,4	129,6	121,6	113,8	105,8	134,3	127,3	119,9	112,3	105,0	97,5

Twout = Outlet water temperature (°C); Pf = Cooling capacity (kW); Pr = Recovery mode heating capacity (kW); Pa = Compressors heating capacity (kW); qw = Water flow (m³/h); dpw = Pressure drop (kPa); qwr = Recovery heat exchanger water flow (m³/h); dpwr = Recovery heat exchanger pressure drop (kPa). Water flow and pressure drop on heat exchanger calculated with ΔT= 5 °C.

Technical data

PERFORMANCE IN HEAT RECOVERY MODE

CMAA LN

Twout	120							130						
	Heat recovery water out							Heat recovery water out						
	30	35	40	45	50	55	30	35	40	45	50	55		
6°C	Pf	kW	487,6	463,0	436,8	409,1	380,7	349,9	574,8	548,6	520,1	489,4	458,1	424,3
	Pa	kW	95,7	104,0	113,8	125,7	139,7	156,2	100,3	110,6	122,0	134,7	149,0	165,2
	qw	m³/h	83,61	79,39	74,91	70,15	65,28	59,99	98,57	94,07	89,18	83,93	78,56	72,75
	dpw	kPa	83,2	75,8	68,3	60,7	53,3	45,8	124,8	113,6	102,1	90,5	79,3	68,0
	Pr	kW	583,3	566,9	550,7	534,7	520,4	506,0	626,0	608,0	590,3	573,0	557,6	542,2
	qwr	m³/h	100,33	97,51	94,72	91,97	89,51	87,04	116,89	114,36	111,62	108,72	107,89	103,07
	dpwr	kPa	104,3	98,5	93,0	87,6	83,0	78,5	114,9	109,6	103,9	98,2	93,0	87,6
	7°C	Pf	kW	502,3	477,0	450,1	421,6	392,5	360,9	592,1	565,2	535,8	504,3	472,1
Pa		kW	95,9	104,1	114,0	125,8	139,8	156,3	100,4	110,7	122,1	134,8	149,1	165,3
qw		m³/h	86,18	81,84	77,24	72,34	67,34	61,92	101,60	96,97	91,94	86,53	81,01	75,03
dpw		kPa	87,9	80,1	72,2	64,1	56,4	48,5	132,6	120,8	108,5	96,2	84,3	72,3
Pr		kW	598,2	581,1	564,1	547,4	532,3	517,2	641,6	622,9	604,4	586,4	570,2	554,1
qwr		m³/h	102,89	99,95	97,03	94,15	91,56	88,95	119,91	117,26	114,38	111,33	110,39	105,35
dpwr		kPa	109,7	103,5	97,5	91,9	86,9	82,0	121,0	115,2	109,1	103,0	97,3	91,6
8°C		Pf	kW	517,3	491,3	463,8	434,4	404,6	372,1	609,9	582,1	552,0	519,5	486,4
	Pa	kW	96,1	104,3	114,1	125,9	140,0	156,5	100,5	110,8	122,2	134,9	149,2	165,4
	qw	m³/h	88,81	84,35	79,62	74,58	69,46	63,89	104,71	99,94	94,76	89,19	83,51	77,36
	dpw	kPa	92,8	84,6	76,2	67,8	59,6	51,3	140,8	128,3	115,3	102,2	89,6	76,9
	Pr	kW	613,4	595,6	577,9	560,4	544,5	528,6	657,7	638,2	619,0	600,1	583,2	566,3
	qwr	m³/h	105,51	102,45	99,40	96,39	93,66	90,92	123,00	120,23	117,21	114,00	112,95	107,70
	dpwr	kPa	115,3	108,8	102,4	96,3	90,9	85,6	127,3	121,1	114,6	108,0	101,9	95,7
	9°C	Pf	kW	532,7	506,0	477,7	447,6	416,9	383,7	628,1	599,5	568,5	535,1	501,1
Pa		kW	96,3	104,5	114,3	126,1	140,1	156,6	100,7	110,9	122,3	135,0	149,3	165,4
qw		m³/h	91,50	86,93	82,06	76,89	71,62	65,91	107,89	102,98	97,65	91,92	86,08	79,75
dpw		kPa	97,9	89,3	80,5	71,6	63,0	54,2	149,5	136,2	122,5	108,5	95,2	81,7
Pr		kW	629,0	610,5	592,0	573,7	557,1	540,3	674,1	653,9	633,8	614,2	596,4	578,7
qwr		m³/h	108,19	105,00	101,82	98,68	95,82	92,93	126,17	123,26	120,10	116,74	115,57	110,10
dpwr		kPa	121,3	114,2	107,4	100,9	95,1	89,5	133,9	127,3	120,3	113,2	106,7	100,0
10°C		Pf	kW	548,4	521,0	491,9	461,0	429,6	395,5	646,6	617,3	585,4	551,1	516,1
	Pa	kW	96,5	104,6	114,5	126,3	140,3	156,8	100,8	111,0	122,4	135,1	149,4	165,5
	qw	m³/h	94,36	89,65	84,64	79,33	73,92	68,06	111,26	106,21	100,72	94,82	88,80	82,29
	dpw	kPa	103,5	94,4	85,1	75,7	66,7	57,5	159,0	144,9	130,3	115,5	101,3	87,0
	Pr	kW	644,9	625,7	606,4	587,3	569,9	552,3	690,8	669,9	649,0	628,6	610,0	591,5
	qwr	m³/h	110,93	107,62	104,30	101,02	98,02	95,00	129,41	126,37	123,06	119,54	118,26	112,56
	dpwr	kPa	127,5	120,0	112,7	105,7	99,6	93,5	140,9	133,8	126,3	118,7	111,7	104,5
	11°C	Pf	kW	564,5	536,4	506,5	474,8	442,6	407,7	665,6	635,5	602,7	567,4	531,5
Pa		kW	96,7	104,8	114,7	126,4	140,5	157,0	100,9	111,2	122,5	135,2	149,5	165,6
qw		m³/h	97,29	92,45	87,30	81,83	76,28	70,26	114,72	109,52	103,87	97,79	91,60	84,90
dpw		kPa	109,3	99,7	90,0	80,1	70,6	60,9	169,0	154,0	138,5	122,8	107,8	92,6
Pr		kW	661,2	641,2	621,2	601,3	583,0	564,6	708,0	686,3	664,6	643,3	623,9	604,6
qwr		m³/h	113,73	110,29	106,84	103,42	100,28	97,11	132,72	129,54	126,08	122,40	121,01	115,09
dpwr		kPa	134,0	126,0	118,3	110,8	104,2	97,7	148,2	140,6	132,6	124,5	116,9	109,3

Twout = Outlet water temperature (°C); Pf = Cooling capacity (kW); Pr = Recovery mode heating capacity (kW); Pa = Compressors heating capacity (kW); qw = Water flow (m³/h); dpw = Pressure drop (kPa); qwr = Recovery heat exchanger water flow (m³/h); dpwr = Recovery heat exchanger pressure drop (kPa). Water flow and pressure drop on heat exchanger calculated with $\Delta T = 5$ °C.

Technical data

PERFORMANCE IN HEAT RECOVERY MODE

CMAA LN

Twout	140						
	Heat recovery water out						
		30	35	40	45	50	55
6 °C	Pf kW	604,2	576,7	546,5	513,8	480,1	443,4
	Pa kW	108,2	119,2	131,4	145,0	160,4	177,8
	qw m ³ /h	103,60	98,89	93,71	88,11	82,34	76,04
	dpw kPa	117,8	107,3	96,4	85,2	74,4	63,5
	Pr kW	659,6	640,5	621,7	603,6	587,7	571,9
	qwr m ³ /h	123,34	120,74	117,86	114,76	113,81	108,62
	dpwr kPa	114,9	109,6	104,0	98,2	92,9	87,3
7 °C	Pf kW	622,5	594,2	563,1	529,5	494,9	457,1
	Pa kW	108,3	119,4	131,5	145,1	160,4	177,9
	qw m ³ /h	106,80	101,95	96,62	90,85	84,91	78,43
	dpw kPa	125,2	114,1	102,5	90,6	79,1	67,5
	Pr kW	675,8	656,0	636,5	617,6	600,9	584,3
	qwr m ³ /h	126,52	123,80	120,77	117,51	116,44	111,02
	dpwr kPa	120,9	115,2	109,2	103,0	97,2	91,2
8 °C	Pf kW	641,2	612,1	580,2	545,6	509,9	471,1
	Pa kW	108,4	119,5	131,6	145,2	160,5	177,9
	qw m ³ /h	110,08	105,09	99,60	93,66	87,55	80,88
	dpw kPa	133,0	121,2	108,9	96,3	84,1	71,8
	Pr kW	692,4	671,8	651,6	631,9	614,4	597,1
	qwr m ³ /h	129,78	126,93	123,75	120,33	119,14	113,48
	dpwr kPa	127,2	121,1	114,7	108,0	101,7	95,3
9 °C	Pf kW	660,3	630,4	597,6	562,0	525,4	485,4
	Pa kW	108,5	119,6	131,7	145,3	160,6	178,0
	qw m ³ /h	113,43	108,30	102,66	96,55	90,25	83,39
	dpw kPa	141,2	128,7	115,7	102,3	89,4	76,3
	Pr kW	709,4	688,0	667,0	646,5	628,2	610,1
	qwr m ³ /h	133,11	130,13	126,81	123,22	121,90	116,00
	dpwr kPa	133,8	127,3	120,4	113,2	106,5	99,6
10 °C	Pf kW	679,9	649,2	615,5	578,9	541,2	500,2
	Pa kW	108,6	119,7	131,8	145,4	160,7	178,1
	qw m ³ /h	116,99	111,71	105,90	99,60	93,12	86,06
	dpw kPa	150,2	136,9	123,1	108,9	95,2	81,3
	Pr kW	726,8	704,6	682,8	661,4	642,4	623,4
	qwr m ³ /h	136,52	133,40	129,93	126,17	124,73	118,59
	dpwr kPa	140,7	133,8	126,4	118,7	111,5	104,1
11 °C	Pf kW	700,0	668,4	633,7	596,1	557,4	515,3
	Pa kW	108,6	119,8	132,0	145,5	160,8	178,1
	qw m ³ /h	120,64	115,20	109,22	102,74	96,07	88,80
	dpw kPa	159,7	145,6	130,9	115,8	101,3	86,5
	Pr kW	744,6	721,6	698,9	676,8	656,9	637,1
	qwr m ³ /h	140,00	136,75	133,13	129,20	127,63	121,24
	dpwr kPa	148,0	140,6	132,7	124,5	116,8	108,8

Twout = Outlet water temperature (°C); **Pf** = Cooling capacity (kW); **Pr** = Recovery mode heating capacity (kW); **Pa** = Compressors heating capacity (kW); **qw** = Water flow (m³/h); **dpw** = Pressure drop (kPa); **qwr** = Recovery heat exchanger water flow (m³/h); **dpwr** = Recovery heat exchanger pressure drop (kPa). Water flow and pressure drop on heat exchanger calculated with $\Delta T=5$ °C.

Technical data

COOLING CAPACITY PERFORMANCE

CMAA SL

Twout	012							015						
	Outdoor air temperature							Outdoor air temperature						
	25	30	32	35	40	45	25	30	32	35	40	45		
6°C	Pf	kW	48,7	46,0	44,8	43,1	40,8	38,7	60,1	56,8	55,5	53,4	50,6	48,0
	Pa	kW	11,4	12,6	13,0	13,8	14,9	16,0	13,0	14,4	14,9	15,8	17,1	18,3
	qw	m³/h	8,35	7,88	7,69	7,39	7,00	6,65	10,30	9,74	9,51	9,15	8,68	8,26
	dpw	kPa	72,5	65,4	62,5	58,2	52,8	48,0	58,4	52,8	50,6	47,2	43,0	39,1
7°C	Pf	kW	50,1	47,3	46,1	44,3	42,0	39,7	61,7	58,4	57,0	54,8	52,0	49,3
	Pa	kW	11,5	12,7	13,2	13,9	15,0	16,1	13,2	14,5	15,1	16,0	17,2	18,5
	qw	m³/h	8,59	8,11	7,91	7,60	7,20	6,83	10,59	10,02	9,78	9,40	8,92	8,48
	dpw	kPa	76,3	68,8	65,7	61,1	55,5	50,3	61,4	55,6	53,2	49,6	45,1	41,0
8°C	Pf	kW	51,5	48,6	47,4	45,5	43,1	40,8	63,4	60,0	58,5	56,3	53,4	50,6
	Pa	kW	11,6	12,8	13,3	14,1	15,1	16,3	13,3	14,6	15,2	16,1	17,3	18,6
	qw	m³/h	8,83	8,34	8,13	7,81	7,40	7,02	10,89	10,30	10,05	9,66	9,17	8,71
	dpw	kPa	80,2	72,3	69,1	64,2	58,3	52,8	64,6	58,4	55,9	52,1	47,4	43,0
9°C	Pf	kW	52,9	49,9	48,6	46,7	44,3	41,9	65,2	61,6	60,1	57,8	54,8	52,0
	Pa	kW	11,7	12,9	13,4	14,2	15,3	16,4	13,4	14,7	15,3	16,2	17,5	18,8
	qw	m³/h	9,08	8,57	8,36	8,02	7,61	7,21	11,19	10,58	10,32	9,93	9,42	8,94
	dpw	kPa	84,3	76,0	72,6	67,5	61,3	55,4	67,8	61,3	58,7	54,7	49,7	45,1
10°C	Pf	kW	54,3	51,2	50,0	48,0	45,5	43,0	66,9	63,2	61,7	59,3	56,3	53,4
	Pa	kW	11,8	13,0	13,5	14,3	15,4	16,5	13,5	14,9	15,4	16,4	17,6	18,9
	qw	m³/h	9,35	8,82	8,60	8,25	7,82	7,40	11,51	10,88	10,62	10,21	9,69	9,18
	dpw	kPa	88,8	79,9	76,4	71,0	64,5	58,1	71,4	64,5	61,7	57,5	52,3	47,2
11°C	Pf	kW	55,8	52,6	51,3	49,2	46,7	44,2	68,7	64,9	63,3	60,9	57,8	54,8
	Pa	kW	11,9	13,1	13,6	14,4	15,5	16,7	13,6	15,0	15,6	16,5	17,8	19,1
	qw	m³/h	9,62	9,07	8,84	8,49	8,04	7,60	11,84	11,19	10,91	10,49	9,96	9,42
	dpw	kPa	93,5	84,1	80,3	74,6	67,8	60,8	75,1	67,8	64,8	60,4	54,9	49,5

Twout	018							023						
	Outdoor air temperature							Outdoor air temperature						
	25	30	32	35	40	45	25	30	32	35	40	45		
6°C	Pf	kW	69,5	65,5	63,9	61,3	58,1	55,0	87,0	82,7	80,9	78,0	74,2	70,4
	Pa	kW	16,4	18,1	18,8	19,9	21,5	23,1	18,0	19,8	20,7	22,0	23,8	25,7
	qw	m³/h	11,92	11,24	10,96	10,52	9,96	9,45	14,92	14,19	13,87	13,38	12,73	12,11
	dpw	kPa	69,7	62,7	59,9	55,7	50,5	45,8	74,2	67,8	65,1	61,0	55,7	50,7
7°C	Pf	kW	71,4	67,4	65,7	63,0	59,7	56,5	89,4	85,0	83,1	80,2	76,2	72,3
	Pa	kW	16,6	18,2	19,0	20,1	21,7	23,3	18,1	20,0	20,8	22,1	24,0	25,9
	qw	m³/h	12,26	11,56	11,27	10,81	10,24	9,71	15,34	14,59	14,26	13,75	13,08	12,43
	dpw	kPa	73,3	66,0	63,0	58,5	53,1	48,0	78,0	71,2	68,4	64,1	58,5	53,2
8°C	Pf	kW	73,4	69,2	67,5	64,7	61,3	58,0	91,9	87,3	85,4	82,3	78,3	74,2
	Pa	kW	16,7	18,4	19,1	20,3	21,9	23,5	18,3	20,2	21,0	22,3	24,1	26,1
	qw	m³/h	12,61	11,88	11,58	11,11	10,53	9,97	15,77	15,00	14,66	14,13	13,43	12,76
	dpw	kPa	77,1	69,3	66,2	61,5	55,7	50,3	82,0	74,9	71,9	67,3	61,4	55,8
9°C	Pf	kW	75,4	71,1	69,3	66,5	63,0	59,5	94,4	89,7	87,7	84,5	80,3	76,2
	Pa	kW	16,8	18,5	19,3	20,4	22,0	23,7	18,4	20,3	21,1	22,5	24,3	26,3
	qw	m³/h	12,96	12,21	11,90	11,42	10,82	10,23	16,22	15,41	15,06	14,52	13,80	13,10
	dpw	kPa	81,1	72,8	69,5	64,5	58,5	52,8	86,2	78,6	75,5	70,6	64,4	58,5
10°C	Pf	kW	77,5	73,0	71,1	68,2	64,6	61,0	97,0	92,1	90,0	86,8	82,4	78,2
	Pa	kW	17,0	18,7	19,4	20,6	22,2	23,9	18,6	20,5	21,3	22,7	24,5	26,4
	qw	m³/h	13,33	12,56	12,24	11,74	11,12	10,50	16,68	15,85	15,49	14,93	14,18	13,44
	dpw	kPa	85,3	76,7	73,1	67,9	61,6	55,2	90,7	82,7	79,4	74,3	67,7	61,2
11°C	Pf	kW	79,6	75,0	73,0	70,1	66,3	62,6	99,6	94,6	92,4	89,0	84,6	80,2
	Pa	kW	17,1	18,9	19,6	20,8	22,4	24,1	18,7	20,6	21,5	22,8	24,7	26,6
	qw	m³/h	13,72	12,92	12,59	12,07	11,43	10,77	17,16	16,30	15,93	15,34	14,58	13,79
	dpw	kPa	89,8	80,6	76,9	71,4	64,7	57,8	95,4	87,0	83,5	78,0	71,1	64,1

Twout = Leaving water temperature (°C) ; Pf = Cooling capacity (kW); Pa = Compressors power input (kW); qw = Water flow (m³/h); dpw = Pressure drop (kPa).
Water flow and pressure drop on heat exchanger calculated with ΔT= 5 °C.

Technical data

COOLING CAPACITY PERFORMANCE

CMAA SL

Twout	030							033						
	Outdoor air temperature							Outdoor air temperature						
	25	30	32	35	40	45	25	30	32	35	40	45		
6°C	Pf	kW	115,7	109,3	106,6	102,5	97,2	92,0	127,9	121,1	118,3	113,9	108,1	102,6
	Pa	kW	26,1	28,8	30,1	32,0	34,7	37,4	28,2	31,3	32,7	34,9	38,0	41,1
	qw	m ³ /h	19,84	18,75	18,29	17,58	16,66	15,82	21,94	20,77	20,28	19,53	18,54	17,64
	dpw	kPa	71,2	64,3	61,5	57,2	52,0	47,2	57,7	52,3	50,1	46,8	42,6	38,8
7°C	Pf	kW	119,0	112,4	109,6	105,3	99,8	94,5	131,5	124,5	121,5	117,0	111,1	105,3
	Pa	kW	26,3	29,1	30,3	32,2	34,9	37,7	28,4	31,6	33,0	35,2	38,3	41,4
	qw	m ³ /h	20,41	19,28	18,81	18,07	17,13	16,26	22,56	21,35	20,85	20,07	19,06	18,12
	dpw	kPa	74,9	67,6	64,6	60,2	54,7	49,5	60,7	55,0	52,7	49,2	44,8	40,7
8°C	Pf	kW	122,3	115,5	112,6	108,2	102,6	97,1	135,1	127,8	124,8	120,1	114,1	108,2
	Pa	kW	26,5	29,3	30,5	32,5	35,2	38,0	28,6	31,8	33,2	35,4	38,5	41,7
	qw	m ³ /h	20,99	19,82	19,33	18,57	17,61	16,70	23,19	21,95	21,43	20,62	19,58	18,60
	dpw	kPa	78,8	71,1	67,9	63,2	57,4	52,0	63,8	57,8	55,3	51,7	47,0	42,7
9°C	Pf	kW	125,6	118,6	115,7	111,1	105,3	99,7	138,7	131,3	128,2	123,3	117,1	111,0
	Pa	kW	26,7	29,5	30,8	32,7	35,5	38,3	28,8	32,0	33,4	35,7	38,8	42,0
	qw	m ³ /h	21,58	20,37	19,87	19,09	18,09	17,15	23,83	22,55	22,02	21,19	20,12	19,10
	dpw	kPa	82,8	74,7	71,4	66,4	60,3	54,5	67,0	60,7	58,1	54,2	49,4	44,8
10°C	Pf	kW	129,0	121,8	118,8	114,1	108,1	102,4	142,5	134,8	131,6	126,6	120,2	114,0
	Pa	kW	26,9	29,8	31,0	33,0	35,7	38,6	29,0	32,3	33,7	36,0	39,1	42,3
	qw	m ³ /h	22,20	20,96	20,44	19,63	18,61	17,61	24,51	23,20	22,64	21,78	20,68	19,60
	dpw	kPa	87,2	78,6	75,1	69,8	63,4	57,2	70,5	63,8	61,1	57,0	51,9	46,9
11°C	Pf	kW	132,5	125,1	121,9	117,1	111,0	105,1	146,3	138,4	135,1	129,9	123,4	116,9
	Pa	kW	27,1	30,0	31,2	33,2	36,0	38,9	29,3	32,5	33,9	36,2	39,4	42,6
	qw	m ³ /h	22,84	21,55	21,02	20,18	19,13	18,07	25,21	23,85	23,28	22,39	21,26	20,11
	dpw	kPa	91,7	82,6	79,0	73,4	66,7	59,9	74,1	67,1	64,2	59,9	54,6	49,1

Twout	037							044						
	Outdoor air temperature							Outdoor air temperature						
	25	30	32	35	40	45	25	30	32	35	40	45		
6°C	Pf	kW	143,2	135,5	132,1	127,0	120,3	113,7	165,4	157,5	154,1	148,7	141,6	134,4
	Pa	kW	33,6	37,2	38,8	41,3	44,7	48,2	35,9	39,5	41,1	43,6	46,9	50,5
	qw	m ³ /h	24,56	23,23	22,66	21,77	20,62	19,55	28,36	27,00	26,42	25,50	24,28	23,12
	dpw	kPa	67,1	60,7	58,1	54,0	49,0	44,4	49,2	45,0	43,3	40,6	37,2	33,9
7°C	Pf	kW	147,2	139,2	135,8	130,4	123,5	116,8	169,9	161,7	158,2	152,7	145,3	138,0
	Pa	kW	33,8	37,5	39,0	41,5	45,0	48,5	36,1	39,8	41,3	43,8	47,3	50,8
	qw	m ³ /h	25,26	23,88	23,30	22,38	21,20	20,08	29,15	27,75	27,15	26,20	24,94	23,74
	dpw	kPa	70,6	63,8	61,0	56,8	51,5	46,5	51,7	47,3	45,5	42,6	39,0	35,6
8°C	Pf	kW	151,3	143,0	139,5	133,9	126,9	119,9	174,5	166,1	162,4	156,7	149,2	141,6
	Pa	kW	34,1	37,7	39,3	41,8	45,3	48,9	36,4	40,0	41,6	44,1	47,6	51,1
	qw	m ³ /h	25,97	24,55	23,94	23,00	21,78	20,63	29,95	28,51	27,89	26,91	25,61	24,36
	dpw	kPa	74,2	67,1	64,1	59,6	54,1	48,8	54,3	49,6	47,7	44,7	40,9	37,3
9°C	Pf	kW	155,4	146,9	143,2	137,5	130,3	123,1	179,2	170,5	166,8	160,9	153,0	145,3
	Pa	kW	34,3	38,0	39,6	42,1	45,6	49,2	36,6	40,3	41,9	44,4	47,9	51,5
	qw	m ³ /h	26,70	25,23	24,60	23,62	22,38	21,18	30,78	29,29	28,65	27,63	26,29	25,00
	dpw	kPa	78,0	70,4	67,3	62,6	56,8	51,2	57,0	52,1	50,1	46,9	42,9	39,0
10°C	Pf	kW	159,6	150,8	147,0	141,2	133,7	126,3	183,9	175,0	171,1	165,1	157,0	149,1
	Pa	kW	34,5	38,2	39,8	42,4	45,9	49,6	36,8	40,5	42,2	44,7	48,2	51,8
	qw	m ³ /h	27,47	25,95	25,30	24,29	23,01	21,73	31,65	30,11	29,45	28,40	27,02	25,64
	dpw	kPa	82,1	74,1	70,8	65,8	59,7	53,6	59,9	54,8	52,6	49,3	45,1	40,8
11°C	Pf	kW	163,9	154,8	150,9	144,9	137,2	129,6	188,8	179,6	175,6	169,3	161,1	152,9
	Pa	kW	34,8	38,5	40,1	42,7	46,2	49,9	37,1	40,8	42,4	45,0	48,5	52,2
	qw	m ³ /h	28,25	26,68	26,01	24,97	23,65	22,29	32,54	30,95	30,26	29,18	27,76	26,30
	dpw	kPa	86,4	77,9	74,4	69,2	62,7	56,1	63,0	57,5	55,3	51,8	47,3	42,7

Twout = Leaving water temperature (°C) ; Pf = Cooling capacity (kW) ; Pa = Compressors power input (kW) ; qw = Water flow (m³/h) ; dpw = Pressure drop (kPa).
Water flow and pressure drop on heat exchanger calculated with ΔT = 5 °C.

Technical data

COOLING CAPACITY PERFORMANCE

CMAA SL

Twout	047							057						
	Outdoor air temperature							Outdoor air temperature						
	25	30	32	35	40	45	25	30	32	35	40	45		
6°C	Pf	kW	179,1	170,2	166,4	160,4	152,5	144,6	219,5	207,4	202,3	194,4	184,3	174,4
	Pa	kW	39,5	43,5	45,2	47,9	51,7	55,5	50,2	55,8	58,2	62,1	67,4	72,9
	qw	m³/h	30,72	29,19	28,53	27,51	26,15	24,88	37,64	35,56	34,69	33,34	31,60	30,00
	dpw	kPa	54,3	49,5	47,5	44,5	40,6	37,0	69,7	62,9	60,2	56,0	50,9	46,2
7°C	Pf	kW	184,0	174,8	170,9	164,7	156,5	148,4	225,6	213,1	207,9	199,7	189,3	179,2
	Pa	kW	39,8	43,8	45,5	48,3	52,0	55,9	50,6	56,2	58,6	62,5	67,8	73,4
	qw	m³/h	31,57	29,99	29,32	28,25	26,85	25,53	38,71	36,56	35,66	34,27	32,49	30,82
	dpw	kPa	57,0	52,0	49,9	46,7	42,6	38,8	73,3	66,2	63,3	58,9	53,5	48,4
8°C	Pf	kW	188,9	179,5	175,4	169,0	160,6	152,3	231,8	218,9	213,5	205,1	194,5	184,0
	Pa	kW	40,0	44,1	45,9	48,6	52,4	56,3	50,9	56,6	59,0	62,9	68,3	73,9
	qw	m³/h	32,44	30,81	30,11	29,01	27,57	26,20	39,80	37,59	36,66	35,22	33,39	31,66
	dpw	kPa	59,9	54,6	52,4	49,0	44,7	40,6	77,1	69,5	66,5	61,8	56,2	50,8
9°C	Pf	kW	194,0	184,2	180,0	173,4	164,7	156,3	238,2	224,9	219,3	210,6	199,7	188,9
	Pa	kW	40,3	44,4	46,2	49,0	52,8	56,7	51,3	57,0	59,4	63,4	68,8	74,4
	qw	m³/h	33,33	31,64	30,92	29,79	28,30	26,88	40,91	38,63	37,67	36,19	34,30	32,50
	dpw	kPa	62,9	57,3	54,9	51,4	46,8	42,5	81,0	73,0	69,8	64,9	59,0	53,3
10°C	Pf	kW	199,2	189,0	184,7	177,9	169,0	160,3	244,6	230,9	225,2	216,3	205,0	193,9
	Pa	kW	40,6	44,7	46,5	49,3	53,2	57,1	51,7	57,4	59,8	63,8	69,2	74,9
	qw	m³/h	34,27	32,53	31,78	30,61	29,08	27,56	42,09	39,73	38,75	37,21	35,28	33,35
	dpw	kPa	66,1	60,2	57,7	53,9	49,2	44,5	85,2	76,8	73,4	68,3	62,0	55,8
11°C	Pf	kW	204,4	194,0	189,5	182,5	173,3	164,3	251,2	237,1	231,2	222,0	210,4	198,9
	Pa	kW	40,9	45,0	46,8	49,7	53,5	57,5	52,1	57,8	60,3	64,2	69,7	75,4
	qw	m³/h	35,23	33,43	32,66	31,45	29,87	28,26	43,29	40,86	39,84	38,26	36,27	34,21
	dpw	kPa	69,5	63,2	60,6	56,6	51,6	46,5	89,6	80,8	77,2	71,8	65,2	58,4

Twout	070							087						
	Outdoor air temperature							Outdoor air temperature						
	25	30	32	35	40	45	25	30	32	35	40	45		
6°C	Pf	kW	272,5	257,4	251,0	241,2	228,6	216,3	336,8	317,9	309,9	297,2	281,1	264,8
	Pa	kW	58,6	65,3	68,2	72,8	79,2	85,8	79,2	87,3	90,8	96,4	104,1	112,0
	qw	m³/h	46,73	44,13	43,05	41,36	39,20	37,20	57,75	54,52	53,14	50,96	48,20	45,55
	dpw	kPa	73,3	66,1	63,2	58,8	53,4	48,4	74,2	66,9	63,8	59,2	53,6	48,2
7°C	Pf	kW	280,0	264,4	257,8	247,7	234,7	222,1	345,9	326,5	318,2	305,2	288,5	271,7
	Pa	kW	59,1	65,7	68,7	73,3	79,7	86,4	79,7	87,9	91,4	97,1	104,8	112,8
	qw	m³/h	48,04	45,36	44,24	42,49	40,28	38,21	59,35	56,02	54,60	52,36	49,51	46,73
	dpw	kPa	77,0	69,5	66,4	61,8	56,1	50,8	77,9	70,2	67,0	62,2	56,2	50,4
8°C	Pf	kW	287,6	271,5	264,7	254,3	241,0	228,0	355,3	335,2	326,7	313,3	296,2	278,7
	Pa	kW	59,5	66,2	69,2	73,9	80,3	87,0	80,2	88,5	92,1	97,8	105,5	113,5
	qw	m³/h	49,37	46,61	45,45	43,65	41,37	39,22	60,99	57,55	56,08	53,78	50,85	47,94
	dpw	kPa	80,9	73,0	69,7	64,8	58,9	53,3	81,8	73,7	70,3	65,2	59,0	52,8
9°C	Pf	kW	295,3	278,7	271,8	261,0	247,4	233,9	364,8	344,1	335,3	321,5	303,9	285,8
	Pa	kW	60,0	66,7	69,7	74,4	80,9	87,6	80,8	89,1	92,7	98,4	106,2	114,3
	qw	m³/h	50,73	47,88	46,68	44,83	42,49	40,24	62,67	59,11	57,59	55,23	52,21	49,16
	dpw	kPa	85,0	76,6	73,2	68,0	61,8	55,8	85,9	77,3	73,8	68,4	61,8	55,2
10°C	Pf	kW	303,2	286,1	278,9	267,8	253,9	240,0	374,5	353,2	344,0	329,9	311,8	293,0
	Pa	kW	60,4	67,2	70,2	74,9	81,4	88,2	81,3	89,7	93,3	99,1	107,0	115,1
	qw	m³/h	52,17	49,23	47,99	46,08	43,68	41,27	64,44	60,77	59,19	56,76	53,65	50,40
	dpw	kPa	89,4	80,5	76,9	71,5	64,9	58,4	90,3	81,3	77,5	71,9	65,0	57,8
11°C	Pf	kW	311,2	293,6	286,2	274,8	260,5	246,1	384,4	362,4	352,9	338,4	319,8	300,4
	Pa	kW	60,9	67,7	70,7	75,5	82,0	88,8	81,8	90,2	93,9	99,7	107,7	115,9
	qw	m³/h	53,63	50,60	49,33	47,36	44,89	42,32	66,24	62,45	60,83	58,32	55,12	51,67
	dpw	kPa	93,9	84,6	80,8	75,1	68,2	61,0	94,9	85,4	81,4	75,5	68,2	60,4

Twout = Leaving water temperature (°C) ; Pf = Cooling capacity (kW); Pa = Compressors power input (kW); qw = Water flow (m³/h); dpw = Pressure drop (kPa).
Water flow and pressure drop on heat exchanger calculated with ΔT= 5 °C.

Technical data

COOLING CAPACITY PERFORMANCE

CMAA SL

Twout	097							102						
	Outdoor air temperature							Outdoor air temperature						
	25	30	32	35	40	45	25	30	32	35	40	45		
6 °C	Pf	kW	370,5	350,7	342,2	328,8	311,5	294,6	396,1	374,0	364,7	350,0	331,2	312,9
	Pa	kW	82,9	91,4	95,0	100,8	108,7	116,9	86,7	95,5	99,3	105,4	113,6	122,2
	qw	m ³ /h	63,53	60,13	58,67	56,39	53,42	50,66	67,93	64,14	62,53	60,01	56,80	53,81
	dpw	kPa	84,4	76,4	73,1	68,1	61,8	55,9	77,7	70,1	67,0	62,2	56,3	50,9
7 °C	Pf	kW	380,6	360,1	351,3	337,6	319,8	302,3	406,8	384,0	374,3	359,1	339,9	321,0
	Pa	kW	83,5	92,0	95,7	101,5	109,5	117,7	87,4	96,3	100,1	106,2	114,5	123,1
	qw	m ³ /h	65,31	61,79	60,28	57,92	54,87	52,00	69,80	65,88	64,22	61,62	58,32	55,20
	dpw	kPa	88,7	80,3	76,8	71,4	64,8	58,6	81,6	73,6	70,3	65,2	59,1	53,3
8 °C	Pf	kW	390,9	369,7	360,7	346,5	328,2	310,3	417,7	394,1	384,1	368,5	348,7	329,1
	Pa	kW	84,1	92,7	96,4	102,3	110,3	118,6	88,0	97,0	100,9	107,0	115,3	124,0
	qw	m ³ /h	67,11	63,48	61,92	59,49	56,35	53,36	71,71	67,66	65,94	63,26	59,86	56,61
	dpw	kPa	93,1	84,2	80,6	74,9	68,0	61,4	85,7	77,2	73,7	68,4	61,9	55,7
9 °C	Pf	kW	401,4	379,5	370,2	355,5	336,8	318,3	428,7	404,4	394,1	378,0	357,7	337,4
	Pa	kW	84,7	93,3	97,1	103,0	111,1	119,4	88,7	97,7	101,6	107,8	116,2	125,0
	qw	m ³ /h	68,96	65,20	63,59	61,07	57,85	54,75	73,65	69,47	67,70	64,93	61,44	58,03
	dpw	kPa	97,8	88,4	84,5	78,6	71,3	64,3	89,9	80,9	77,3	71,7	64,9	58,3
10 °C	Pf	kW	412,1	389,5	379,9	364,7	345,5	326,5	440,0	414,9	404,2	387,7	366,8	345,8
	Pa	kW	85,3	94,0	97,8	103,7	111,9	120,3	89,4	98,5	102,4	108,6	117,1	125,9
	qw	m ³ /h	70,91	67,02	65,36	62,76	59,44	56,15	75,70	71,39	69,55	66,70	63,11	59,47
	dpw	kPa	102,8	92,9	88,8	82,5	74,9	67,2	94,5	85,0	81,1	75,2	68,1	60,9
11 °C	Pf	kW	423,0	399,6	389,7	374,1	354,3	334,6	451,4	425,6	414,6	397,6	376,1	354,3
	Pa	kW	85,9	94,7	98,5	104,5	112,7	121,2	90,0	99,2	103,2	109,4	118,0	126,9
	qw	m ³ /h	72,90	68,88	67,16	64,48	61,07	57,56	77,80	73,34	71,45	68,52	64,82	60,94
	dpw	kPa	108,1	97,6	93,3	86,6	78,6	70,3	99,3	89,2	85,1	79,0	71,5	63,6

Twout	120							130						
	Outdoor air temperature							Outdoor air temperature						
	25	30	32	35	40	45	25	30	32	35	40	45		
6 °C	Pf	kW	461,8	435,7	424,9	408,0	386,8	366,1	505,6	476,3	463,9	444,6	420,4	395,8
	Pa	kW	104,5	114,3	118,8	126,1	136,5	147,5	107,3	118,4	123,2	130,8	141,1	152,1
	qw	m ³ /h	79,19	74,72	72,86	69,96	66,34	62,96	86,70	81,67	79,55	76,25	72,09	67,88
	dpw	kPa	75,5	68,0	65,0	60,4	54,9	49,8	96,5	85,7	81,3	74,7	66,7	59,2
7 °C	Pf	kW	473,9	447,1	435,8	418,5	396,7	375,2	519,4	489,1	476,3	456,5	431,6	406,2
	Pa	kW	105,2	115,2	119,7	127,1	137,6	148,8	108,2	119,3	124,1	131,8	142,2	153,2
	qw	m ³ /h	81,32	76,71	74,78	71,80	68,07	64,54	89,11	83,92	81,72	78,32	74,05	69,69
	dpw	kPa	79,2	71,3	68,1	63,3	57,5	52,0	102,0	90,4	85,8	78,8	70,4	62,4
8 °C	Pf	kW	486,3	458,6	447,0	429,1	406,8	384,5	533,4	502,1	488,9	468,6	443,0	416,7
	Pa	kW	106,0	116,1	120,7	128,2	138,8	150,1	109,0	120,2	125,1	132,8	143,3	154,4
	qw	m ³ /h	83,48	78,73	76,74	73,67	69,84	66,14	91,57	86,21	83,94	80,44	76,05	71,54
	dpw	kPa	83,0	74,7	71,3	66,3	60,2	54,4	107,7	95,4	90,5	83,1	74,3	65,7
9 °C	Pf	kW	498,9	470,3	458,4	440,0	417,1	394,0	547,7	515,4	501,8	480,9	454,6	427,4
	Pa	kW	106,8	117,0	121,7	129,2	140,0	151,4	109,8	121,1	126,0	133,8	144,4	155,5
	qw	m ³ /h	85,69	80,79	78,74	75,59	71,65	67,77	94,08	88,54	86,20	82,60	78,09	73,42
	dpw	kPa	87,0	78,3	74,7	69,4	63,0	56,8	113,7	100,7	95,4	87,6	78,3	69,2
10 °C	Pf	kW	511,7	482,2	469,9	451,1	427,6	403,6	562,2	528,9	514,9	493,4	466,4	438,3
	Pa	kW	107,7	118,0	122,7	130,3	141,2	152,7	110,7	122,1	127,0	134,8	145,5	156,7
	qw	m ³ /h	88,04	82,98	80,86	77,62	73,57	69,42	96,73	91,00	88,59	84,89	80,25	75,42
	dpw	kPa	91,3	82,1	78,4	72,8	66,1	59,3	120,2	106,4	100,8	92,6	82,7	73,0
11 °C	Pf	kW	524,7	494,4	481,7	462,4	438,2	413,4	577,0	542,6	528,2	506,1	478,3	449,4
	Pa	kW	108,5	118,9	123,7	131,4	142,4	154,1	111,6	123,0	128,0	135,8	146,6	157,9
	qw	m ³ /h	90,43	85,20	83,02	79,69	75,52	71,10	99,44	93,52	91,03	87,23	82,43	77,45
	dpw	kPa	95,9	86,1	82,2	76,3	69,3	61,9	127,0	112,3	106,4	97,7	87,3	77,0

Twout = Leaving water temperature (°C) ; Pf = Cooling capacity (kW) ; Pa = Compressors power input (kW) ; qw = Water flow (m³/h) ; dpw = Pressure drop (kPa).
Water flow and pressure drop on heat exchanger calculated with ΔT= 5 °C.

COOLING CAPACITY PERFORMANCE
CMAA SL

Twout	140							
	Outdoor air temperature							
			25	30	32	35	40	45
6°C	Pf	kW	535,5	503,3	489,7	468,7	442,1	414,3
	Pa	kW	114,1	125,8	130,8	138,9	149,9	161,6
	qw	m³/h	91,83	86,31	83,97	80,37	75,81	71,05
	dpw	kPa	92,5	81,8	77,4	70,9	63,1	55,4
7°C	Pf	kW	550,1	516,8	502,7	481,1	453,7	425,1
	Pa	kW	115,0	126,7	131,8	139,9	151,0	162,8
	qw	m³/h	94,38	88,68	86,26	82,56	77,85	72,93
	dpw	kPa	97,8	86,3	81,7	74,8	66,5	58,4
8°C	Pf	kW	564,9	530,6	516,0	493,9	465,5	436,0
	Pa	kW	115,9	127,7	132,8	141,0	152,2	164,0
	qw	m³/h	96,98	91,09	88,59	84,79	79,92	74,85
	dpw	kPa	103,2	91,1	86,1	78,9	70,1	61,5
9°C	Pf	kW	580,0	544,6	529,6	506,8	477,5	447,1
	Pa	kW	116,7	128,7	133,8	142,1	153,3	165,3
	qw	m³/h	99,64	93,55	90,97	87,06	82,03	76,80
	dpw	kPa	109,0	96,0	90,8	83,2	73,8	64,7
10°C	Pf	kW	595,4	558,9	543,4	520,0	489,7	458,4
	Pa	kW	117,6	129,6	134,9	143,1	154,5	166,5
	qw	m³/h	102,45	96,16	93,49	89,47	84,26	78,88
	dpw	kPa	115,2	101,5	95,9	87,9	77,9	68,3
11°C	Pf	kW	611,1	573,3	557,4	533,4	502,1	470,1
	Pa	kW	118,5	130,6	135,9	144,2	155,7	167,8
	qw	m³/h	105,32	98,81	96,07	91,93	86,54	81,02
	dpw	kPa	121,7	107,2	101,3	92,7	82,2	72,0

Twout = Leaving water temperature (°C) ; Pf = Cooling capacity (kW); Pa = Compressors power input (kW); qw = Water flow (m³/h); dpw = Pressure drop (kPa).
Water flow and pressure drop on heat exchanger calculated with ΔT= 5 °C.

Technical data

HEATING CAPACITY PERFORMANCE

CMAA SL

Ta /R.U.			012						015					
			Tw out						Tw out					
			30	35	40	45	50	55	30	35	40	45	50	55
-5°C / 90 %	Pt	kW	40,9	40,2	39,6	39,1	38,7	38,4	49,2	48,4	47,6	46,8	46,3	45,7
	Pat	kW	10,8	11,9	13,2	14,6	16,3	18,2	12,4	13,7	15,1	16,8	18,6	20,7
	qw	m³/h	7,08	6,98	6,89	6,81	6,88	6,72	8,53	8,40	8,27	8,16	8,22	7,99
	dpw	kPa	41,8	40,6	39,6	38,6	39,4	37,6	33,1	32,1	31,1	30,3	30,7	29,1
0°C / 90%	Pt	kW	47,0	46,0	45,1	44,2	43,5	42,8	56,6	55,5	54,3	53,2	52,2	51,2
	Pat	kW	11,0	12,1	13,3	14,7	16,4	18,2	12,6	13,9	15,3	16,9	18,8	20,8
	qw	m³/h	8,13	7,99	7,84	7,70	7,73	7,49	9,81	9,62	9,44	9,26	9,27	8,95
	dpw	kPa	55,2	53,2	51,3	49,5	49,8	46,8	43,7	42,1	40,5	39,0	39,1	36,4
7°C / 90%	Pt	kW	56,6	55,3	53,8	52,4	51,2	49,9	68,3	66,7	64,9	63,2	61,6	59,9
	Pat	kW	11,2	12,3	13,5	14,9	16,5	18,3	12,8	14,1	15,5	17,1	18,9	21,0
	qw	m³/h	9,81	9,59	9,36	9,13	9,09	8,73	11,83	11,57	11,29	11,01	10,94	10,48
	dpw	kPa	80,2	76,6	73,1	69,6	68,9	63,5	63,7	60,8	58,0	55,1	54,5	49,9
10°C / 90%	Pt	kW	61,3	59,7	58,1	56,4	54,9	53,4	74,1	72,1	70,1	68,1	66,2	64,2
	Pat	kW	11,3	12,4	13,6	15,0	16,6	18,4	12,9	14,2	15,6	17,2	19,0	21,1
	qw	m³/h	10,62	10,37	10,10	9,83	9,76	9,34	12,82	12,51	12,19	11,86	11,76	11,23
	dpw	kPa	94,0	89,6	85,1	80,6	79,4	72,7	74,8	71,2	67,6	64,0	62,9	57,3
15°C / 90%	Pt	kW	69,8	67,9	65,8	63,7	61,8	59,8	84,4	82,0	79,5	77,0	74,5	72,0
	Pat	kW	11,4	12,5	13,7	15,1	16,7	18,5	13,0	14,3	15,7	17,3	19,1	21,2
	qw	m³/h	12,09	11,78	11,45	11,10	10,97	10,45	14,61	14,23	13,83	13,41	13,24	12,59
	dpw	kPa	121,9	115,7	109,2	102,8	100,4	91,0	97,1	92,1	86,9	81,7	79,8	72,1

Ta /R.U.			018						023					
			Tw out						Tw out					
			30	35	40	45	50	55	30	35	40	45	50	55
-5°C / 90 %	Pt	kW	57,8	56,9	56,0	55,2	54,6	54,1	74,0	72,9	71,8	70,7	69,8	68,9
	Pat	kW	15,1	16,7	18,5	20,5	22,8	25,4	18,4	20,4	22,7	25,3	28,3	31,8
	qw	m³/h	10,01	9,87	9,74	9,62	9,71	9,46	12,82	12,65	12,48	12,31	12,40	12,06
	dpw	kPa	40,0	38,9	37,9	36,9	37,6	35,7	43,7	42,5	41,4	40,3	40,8	38,6
0°C / 90%	Pt	kW	66,5	65,2	63,9	62,6	61,5	60,5	84,7	83,1	81,4	79,7	78,2	76,6
	Pat	kW	15,4	16,9	18,7	20,7	22,9	25,5	18,4	20,4	22,7	25,3	28,3	31,7
	qw	m³/h	11,51	11,31	11,10	10,91	10,94	10,58	14,66	14,42	14,15	13,88	13,89	13,40
	dpw	kPa	52,9	51,1	49,2	47,5	47,8	44,7	57,1	55,2	53,2	51,2	51,3	47,7
7°C / 90%	Pt	kW	80,3	78,3	76,3	74,3	72,5	70,6	101,6	99,3	96,7	94,1	91,6	89,0
	Pat	kW	15,6	17,2	18,9	20,9	23,2	25,7	18,6	20,5	22,8	25,3	28,2	31,5
	qw	m³/h	13,89	13,59	13,27	12,95	12,89	12,35	17,59	17,22	16,82	16,39	16,27	15,56
	dpw	kPa	77,1	73,7	70,3	67,0	66,3	60,9	82,3	78,8	75,2	71,4	70,4	64,3
10°C / 90%	Pt	kW	87,0	84,7	82,4	80,1	77,9	75,6	109,9	107,2	104,2	101,1	98,2	95,1
	Pat	kW	15,7	17,3	19,0	21,0	23,3	25,8	18,7	20,6	22,8	25,3	28,2	31,5
	qw	m³/h	15,06	14,70	14,33	13,95	13,84	13,22	19,03	18,60	18,12	17,62	17,44	16,62
	dpw	kPa	90,5	86,3	82,0	77,7	76,5	69,8	96,2	91,9	87,3	82,5	80,9	73,4
15°C / 90%	Pt	kW	99,1	96,3	93,5	90,5	87,7	84,7	125,0	121,6	117,9	114,0	110,2	106,2
	Pat	kW	15,9	17,5	19,2	21,2	23,4	25,9	18,9	20,8	22,9	25,4	28,2	31,4
	qw	m³/h	17,16	16,72	16,25	15,76	15,58	14,82	21,64	21,09	20,50	19,86	19,58	18,57
	dpw	kPa	117,6	111,6	105,4	99,2	96,9	87,6	124,4	118,3	111,7	104,8	101,9	91,7

Ta /R.U. = Outdoor air temperature (°C)/Relative humidity (%) Twout = Outlet water temperature (°C); Pt = Heating capacity (kW); Pa = Compressors power input (kW); qw = Water flow (m³/h); dpw = Pressure drop (kPa). Water flow and pressure drop on heat exchanger calculated with $\Delta T = 5^\circ\text{C}$.

Technical data

HEATING CAPACITY PERFORMANCE

CMAA SL

Ta /R.U.			030						033					
			Tw out						Tw out					
			30	35	40	45	50	55	30	35	40	45	50	55
-5°C / 90 %	Pt	kW	93,9	92,5	91,2	90,1	89,3	88,5	111,4	109,7	108,1	106,6	105,5	104,2
	Pat	kW	25,6	28,4	31,5	35,1	39,1	43,6	28,2	31,4	35,1	39,1	43,7	48,7
	qw	m ³ /h	16,26	16,05	15,86	15,69	15,86	15,48	19,28	19,03	18,79	18,57	18,74	18,23
	dpw	kPa	38,9	37,9	37,1	36,3	37,1	35,3	36,2	35,2	34,4	33,6	34,2	32,3
0°C / 90%	Pt	kW	107,6	105,6	103,6	101,8	100,2	98,7	127,4	125,0	122,7	120,5	118,5	116,4
	Pat	kW	25,7	28,5	31,7	35,2	39,2	43,7	28,1	31,4	35,0	39,1	43,7	48,8
	qw	m ³ /h	18,63	18,32	18,02	17,73	17,81	17,25	22,06	21,69	21,34	20,98	21,05	20,35
	dpw	kPa	51,1	49,4	47,8	46,3	46,7	43,9	47,4	45,8	44,3	42,8	43,1	40,3
7°C / 90%	Pt	kW	129,4	126,4	123,4	120,4	117,6	114,8	153,0	149,5	145,9	142,4	139,1	135,5
	Pat	kW	25,9	28,7	31,8	35,3	39,3	43,8	28,1	31,3	34,9	39,0	43,6	48,8
	qw	m ³ /h	22,40	21,93	21,45	20,97	20,90	20,08	26,49	25,94	25,37	24,80	24,71	23,70
	dpw	kPa	73,9	70,8	67,8	64,8	64,3	59,4	68,3	65,4	62,6	59,8	59,4	54,6
10°C / 90%	Pt	kW	140,0	136,6	133,0	129,4	126,1	122,7	165,6	161,5	157,3	153,1	149,1	144,9
	Pat	kW	26,0	28,7	31,8	35,4	39,3	43,9	28,2	31,3	34,9	38,9	43,5	48,7
	qw	m ³ /h	24,24	23,69	23,13	22,55	22,41	21,46	28,67	28,01	27,35	26,66	26,50	25,34
	dpw	kPa	86,6	82,7	78,8	74,9	74,0	67,9	79,9	76,4	72,8	69,2	68,3	62,5
15°C / 90%	Pt	kW	159,4	155,0	150,5	146,0	141,7	137,2	188,4	183,2	178,0	172,6	167,5	162,1
	Pat	kW	26,1	28,9	31,9	35,4	39,4	43,9	28,3	31,4	34,8	38,8	43,4	48,5
	qw	m ³ /h	27,59	26,90	26,17	25,43	25,17	23,99	32,62	31,79	30,94	30,06	29,76	28,34
	dpw	kPa	112,2	106,6	100,9	95,3	93,3	84,8	103,5	98,3	93,1	87,9	86,2	78,1

Ta /R.U.			037						044					
			Tw out						Tw out					
			30	35	40	45	50	55	30	35	40	45	50	55
-5°C / 90 %	Pt	kW	124,3	122,5	120,7	118,9	117,4	115,9	145,7	143,4	141,0	138,6	136,2	133,9
	Pat	kW	32,7	36,2	40,1	44,5	49,4	54,9	37,3	41,0	45,2	49,9	55,2	61,1
	qw	m ³ /h	21,52	21,25	20,98	20,72	20,87	20,26	25,23	24,88	24,52	24,14	24,21	23,41
	dpw	kPa	41,3	40,3	39,3	38,3	38,9	36,6	32,0	31,1	30,2	29,3	29,4	27,5
0°C / 90%	Pt	kW	142,1	139,5	136,9	134,3	131,8	129,2	166,6	163,5	160,3	156,9	153,4	149,8
	Pat	kW	32,7	36,2	40,1	44,5	49,5	55,0	37,3	41,1	45,3	50,0	55,3	61,2
	qw	m ³ /h	24,60	24,21	23,80	23,39	23,42	22,60	28,85	28,37	27,87	27,32	27,26	26,20
	dpw	kPa	54,0	52,3	50,6	48,8	49,0	45,6	41,8	40,5	39,0	37,5	37,3	34,5
7°C / 90%	Pt	kW	170,3	166,6	162,7	158,6	154,6	150,4	199,7	195,4	190,8	185,8	180,6	175,2
	Pat	kW	32,7	36,2	40,1	44,5	49,5	55,0	37,4	41,1	45,3	50,0	55,3	61,2
	qw	m ³ /h	29,49	28,91	28,28	27,62	27,48	26,30	34,57	33,90	33,17	32,36	32,09	30,64
	dpw	kPa	77,6	74,6	71,4	68,1	67,4	61,7	60,1	57,8	55,3	52,6	51,7	47,2
10°C / 90%	Pt	kW	184,2	179,8	175,3	170,5	165,8	160,8	215,8	211,0	205,7	199,9	193,9	187,7
	Pat	kW	32,7	36,2	40,1	44,5	49,4	55,0	37,4	41,1	45,3	50,0	55,3	61,2
	qw	m ³ /h	31,89	31,20	30,47	29,69	29,46	28,12	37,37	36,60	35,76	34,82	34,46	32,82
	dpw	kPa	90,7	86,9	82,9	78,7	77,5	70,6	70,2	67,3	64,2	60,9	59,7	54,1
15°C / 90%	Pt	kW	209,3	203,9	198,1	192,1	186,2	179,8	245,1	239,1	232,6	225,5	218,1	210,4
	Pat	kW	32,7	36,2	40,0	44,4	49,3	54,9	37,3	41,1	45,2	49,9	55,2	61,1
	qw	m ³ /h	36,24	35,38	34,45	33,46	33,08	31,44	42,43	41,49	40,44	39,28	38,75	36,78
	dpw	kPa	117,2	111,7	105,9	99,9	97,7	88,2	90,4	86,5	82,2	77,5	75,5	68,0

Ta /R.U. = Outdoor air temperature (°C)/Relative humidity (%) Twout = Outlet water temperature (°C); Pt = Heating capacity (kW); Pa = Compressors power input (kW); qw = Water flow (m³/h); dpw = Pressure drop (kPa). Water flow and pressure drop on heat exchanger calculated with ΔT= 5 °C.

Technical data

HEATING CAPACITY PERFORMANCE

CMAA SL

Ta /R.U.			047						057					
			Tw out						Tw out					
			30	35	40	45	50	55	30	35	40	45	50	55
-5°C / 90 %	Pt	kW	156,9	154,4	151,9	149,3	147,0	144,7	186,4	183,3	180,7	178,4	176,6	175,1
	Pat	kW	40,2	44,3	48,9	54,0	59,8	66,3	49,5	55,1	61,4	68,4	76,3	85,2
	qw	m³/h	27,16	26,79	26,41	26,01	26,11	25,31	32,28	31,81	31,41	31,07	31,39	30,61
	dpw	kPa	35,0	34,0	33,1	32,1	32,3	30,4	42,8	41,6	40,5	39,6	40,5	38,5
0°C / 90%	Pt	kW	179,4	176,0	172,5	168,8	165,2	161,6	213,3	209,2	205,4	201,7	198,6	195,5
	Pat	kW	40,4	44,4	49,0	54,1	59,8	66,3	49,4	54,9	61,1	68,1	75,9	84,8
	qw	m³/h	31,05	30,54	29,99	29,41	29,35	28,25	36,94	36,30	35,71	35,14	35,29	34,17
	dpw	kPa	45,7	44,2	42,7	41,0	40,8	37,8	56,0	54,1	52,4	50,7	51,1	48,0
7°C / 90%	Pt	kW	215,0	210,3	205,2	199,8	194,2	188,6	256,5	250,7	244,9	239,0	233,6	228,0
	Pat	kW	40,5	44,6	49,1	54,2	59,9	66,4	49,2	54,7	60,8	67,7	75,5	84,3
	qw	m³/h	37,23	36,49	35,68	34,80	34,51	32,97	44,42	43,50	42,57	41,64	41,51	39,86
	dpw	kPa	65,7	63,1	60,4	57,4	56,5	51,5	81,0	77,7	74,4	71,2	70,7	65,3
10°C / 90%	Pt	kW	232,4	227,1	221,2	214,9	208,5	201,9	277,8	271,0	264,2	257,3	250,8	244,0
	Pat	kW	40,5	44,6	49,2	54,3	60,0	66,4	49,2	54,6	60,7	67,5	75,3	84,1
	qw	m³/h	40,24	39,40	38,46	37,43	37,04	35,29	48,09	47,03	45,94	44,83	44,56	42,67
	dpw	kPa	76,8	73,6	70,1	66,4	65,0	59,1	95,0	90,8	86,7	82,5	81,5	74,8
15°C / 90%	Pt	kW	264,0	257,4	250,2	242,4	234,4	226,1	316,5	308,1	299,5	290,7	282,2	273,3
	Pat	kW	40,6	44,7	49,3	54,4	60,1	66,5	49,3	54,6	60,6	67,4	75,0	83,8
	qw	m³/h	45,70	44,66	43,50	42,22	41,65	39,53	54,80	53,46	52,08	50,64	50,14	47,79
	dpw	kPa	99,0	94,5	89,7	84,5	82,2	74,1	123,3	117,4	111,4	105,3	103,2	93,8

Ta /R.U.			070						087					
			Tw out						Tw out					
			30	35	40	45	50	55	30	35	40	45	50	55
-5°C / 90 %	Pt	kW	220,8	217,4	214,3	211,4	209,0	206,7	274,3	270,3	266,4	262,5	258,9	255,4
	Pat	kW	56,4	62,9	70,2	78,3	87,3	97,5	71,5	78,7	86,7	95,7	105,8	117,2
	qw	m³/h	38,23	37,71	37,25	36,82	37,13	36,15	47,50	46,90	46,32	45,72	46,01	44,66
	dpw	kPa	41,1	40,0	39,0	38,1	38,8	36,7	42,6	41,6	40,5	39,5	40,0	37,7
0°C / 90%	Pt	kW	252,9	248,1	243,6	239,2	235,2	231,2	313,6	308,2	302,7	296,9	291,2	285,4
	Pat	kW	56,3	62,8	70,1	78,2	87,4	97,6	71,7	78,9	86,9	96,0	106,1	117,5
	qw	m³/h	43,78	43,05	42,35	41,66	41,79	40,43	54,30	53,48	52,63	51,71	51,74	49,90
	dpw	kPa	53,9	52,1	50,4	48,8	49,1	45,9	55,7	54,0	52,3	50,5	50,6	47,0
7°C / 90%	Pt	kW	304,1	297,1	290,2	283,2	276,6	269,9	376,2	368,5	360,3	351,5	342,5	333,1
	Pat	kW	56,3	62,7	69,9	78,0	87,1	97,5	71,8	79,0	87,0	96,1	106,3	117,7
	qw	m³/h	52,65	51,55	50,45	49,34	49,15	47,20	65,13	63,94	62,65	61,22	60,86	58,25
	dpw	kPa	77,9	74,7	71,5	68,4	67,9	62,6	80,1	77,2	74,1	70,8	70,0	64,1
10°C / 90%	Pt	kW	329,2	321,1	313,0	304,8	296,9	288,9	406,7	398,0	388,5	378,1	367,6	356,6
	Pat	kW	56,4	62,7	69,8	77,9	87,0	97,3	71,8	79,0	87,0	96,1	106,3	117,7
	qw	m³/h	56,99	55,71	54,42	53,09	52,75	50,51	70,42	69,05	67,54	65,87	65,32	62,34
	dpw	kPa	91,3	87,2	83,2	79,2	78,2	71,7	93,7	90,1	86,2	82,0	80,6	73,4
15°C / 90%	Pt	kW	374,9	364,8	354,5	344,0	333,8	323,5	462,3	451,4	439,6	426,6	413,3	399,3
	Pat	kW	56,7	62,8	69,8	77,7	86,7	97,0	71,8	78,9	87,0	96,0	106,2	117,6
	qw	m³/h	64,91	63,29	61,64	59,93	59,32	56,56	80,03	78,32	76,42	74,31	73,44	69,82
	dpw	kPa	118,4	112,6	106,8	100,9	98,9	89,9	121,0	115,9	110,3	104,3	101,9	92,1

Ta /R.U. = Outdoor air temperature (°C)/Relative humidity (%) Twout = Outlet water temperature (°C); Pt = Heating capacity (kW); Pa = Compressors power input (kW); qw = Water flow (m³/h); dpw = Pressure drop (kPa). Water flow and pressure drop on heat exchanger calculated with ΔT= 5 °C.

Technical data

HEATING CAPACITY PERFORMANCE

CMAA SL

Ta /R.U.	097 Tw out							102 Tw out						
	30	35	40	45	50	55	30	35	40	45	50	55		
-5°C / 90 %	Pt	kW	304,7	300,1	295,5	290,9	287,0	283,2	323,3	318,7	314,2	309,8	306,1	303,1
	Pat	kW	77,9	85,8	94,6	104,6	115,9	128,6	82,8	91,3	100,7	111,5	123,6	137,6
	qw	m ³ /h	52,75	52,07	51,38	50,68	50,99	49,51	55,97	55,30	54,62	53,96	54,39	53,00
	dpw	kPa	48,5	47,3	46,0	44,8	45,3	42,8	44,9	43,8	42,8	41,7	42,4	40,3
0°C / 90%	Pt	kW	348,2	342,0	335,4	328,5	322,1	315,5	369,5	363,1	356,4	349,5	343,1	337,1
	Pat	kW	78,1	86,0	94,8	104,8	116,0	128,7	83,1	91,5	101,0	111,5	123,6	137,3
	qw	m ³ /h	60,28	59,33	58,31	57,22	57,23	55,17	63,97	63,00	61,96	60,88	60,96	58,94
	dpw	kPa	63,4	61,4	59,3	57,1	57,1	53,1	58,7	56,9	55,0	53,1	53,3	49,8
7°C / 90%	Pt	kW	417,4	408,5	398,8	388,3	378,1	367,4	443,4	434,0	423,9	413,1	402,5	392,0
	Pat	kW	78,4	86,3	95,1	105,0	116,2	128,7	83,6	92,1	101,5	111,9	123,8	137,3
	qw	m ³ /h	72,27	70,87	69,33	67,65	67,19	64,24	76,76	75,30	73,70	71,96	71,52	68,54
	dpw	kPa	91,1	87,6	83,8	79,8	78,7	72,0	84,5	81,3	77,8	74,2	73,3	67,3
10°C / 90%	Pt	kW	451,2	441,0	429,7	417,6	405,6	393,0	479,5	468,7	456,9	444,3	431,8	419,1
	Pat	kW	78,5	86,4	95,3	105,1	116,2	128,8	83,8	92,3	101,7	112,2	124,0	137,4
	qw	m ³ /h	78,13	76,51	74,71	72,75	72,07	68,72	83,02	81,32	79,44	77,40	76,72	73,28
	dpw	kPa	106,4	102,1	97,3	92,3	90,6	82,3	98,8	94,8	90,5	85,9	84,4	77,0
15°C / 90%	Pt	kW	512,6	499,9	486,0	470,9	455,7	439,7	545,1	531,6	517,0	501,1	485,1	468,8
	Pat	kW	78,6	86,6	95,4	105,3	116,4	128,9	84,1	92,7	102,2	112,6	124,4	137,7
	qw	m ³ /h	88,75	86,74	84,49	82,02	80,98	76,89	94,37	92,24	89,88	87,29	86,21	81,98
	dpw	kPa	137,3	131,2	124,5	117,3	114,3	103,1	127,6	122,0	115,8	109,2	106,5	96,3

Ta /R.U.	120 Tw out							130 Tw out						
	30	35	40	45	50	55	30	35	40	45	50	55		
-5°C / 90 %	Pt	kW	378,5	371,5	365,4	360,2	356,2	353,3	422,7	416,4	409,9	403,6	398,5	393,6
	Pat	kW	94,1	102,5	112,3	124,1	137,9	154,0	97,6	107,8	119,1	131,9	146,2	162,4
	qw	m ³ /h	65,53	64,45	63,53	62,74	63,29	61,78	73,19	72,24	71,27	70,31	70,81	68,82
	dpw	kPa	44,3	42,9	41,6	40,6	41,3	39,4	69,1	67,4	65,6	63,8	64,7	61,1
0°C / 90%	Pt	kW	431,8	422,4	413,8	405,7	398,9	393,1	483,2	474,2	464,8	455,2	446,6	437,9
	Pat	kW	94,7	103,0	112,8	124,5	138,2	154,4	98,0	108,2	119,4	132,1	146,4	162,5
	qw	m ³ /h	74,76	73,29	71,94	70,67	70,88	68,72	83,65	82,27	80,80	79,29	79,36	76,57
	dpw	kPa	57,7	55,4	53,4	51,5	51,8	48,7	90,3	87,3	84,3	81,1	81,3	75,7
7°C / 90%	Pt	kW	517,0	503,7	491,0	478,5	467,2	456,7	579,3	566,1	552,0	537,3	523,5	509,1
	Pat	kW	95,8	103,8	113,6	125,2	138,9	155,1	98,7	108,8	120,1	132,7	146,8	162,8
	qw	m ³ /h	89,52	87,40	85,36	83,35	83,02	79,86	100,30	98,22	95,97	93,60	93,03	89,02
	dpw	kPa	82,7	78,8	75,2	71,7	71,1	65,8	129,8	124,5	118,9	113,1	111,7	102,3
10°C / 90%	Pt	kW	558,8	543,6	528,8	514,2	500,8	488,1	626,2	611,0	594,7	577,6	561,3	544,2
	Pat	kW	96,3	104,3	114,0	125,6	139,3	155,5	99,1	109,2	120,4	132,9	147,1	163,0
	qw	m ³ /h	96,75	94,32	91,94	89,58	88,98	85,34	108,43	106,02	103,39	100,61	99,74	95,16
	dpw	kPa	96,6	91,8	87,2	82,8	81,7	75,1	151,7	145,0	138,0	130,6	128,4	116,9
15°C / 90%	Pt	kW	634,8	616,1	597,7	579,3	562,0	545,4	711,4	692,5	672,1	650,7	630,1	608,4
	Pat	kW	97,3	105,2	114,8	126,3	140,0	156,3	99,7	109,8	121,0	133,5	147,5	163,4
	qw	m ³ /h	109,90	106,90	103,91	100,91	99,86	95,37	123,16	120,15	116,86	113,36	111,97	106,38
	dpw	kPa	124,6	117,9	111,4	105,1	102,9	93,8	195,7	186,3	176,2	165,8	161,8	146,0

Ta /R.U. = Outdoor air temperature (°C)/Relative humidity (%) Twout = Outlet water temperature (°C); Pt = Heating capacity (kW); Pa = Compressors power input (kW); qw = Water flow (m³/h); dpw = Pressure drop (kPa). Water flow and pressure drop on heat exchanger calculated with ΔT= 5 °C.

Technical data

HEATING CAPACITY PERFORMANCE

CMAA SL

Ta /R.U.	140							
	Tw out							
		30	35	40	45	50	55	
-5°C / 90 %	Pt	kW	443,4	437,2	430,9	425,0	420,6	416,6
	Pat	kW	105,7	116,6	128,8	142,6	158,3	176,3
	qw	m ³ /h	76,77	75,85	74,93	74,04	74,73	72,84
	dpw	kPa	65,1	63,6	62,0	60,6	61,7	58,6
0°C / 90%	Pt	kW	506,4	497,5	488,2	478,7	470,4	462,1
	Pat	kW	106,1	116,9	129,0	142,6	158,1	175,8
	qw	m ³ /h	87,67	86,32	84,87	83,39	83,58	80,79
	dpw	kPa	84,9	82,3	79,6	76,8	77,2	72,1
7°C / 90%	Pt	kW	607,0	593,9	579,7	564,7	550,6	535,8
	Pat	kW	106,7	117,6	129,6	143,0	158,3	175,7
	qw	m ³ /h	105,10	103,05	100,78	98,37	97,83	93,68
	dpw	kPa	122,0	117,3	112,2	106,9	105,7	97,0
10°C / 90%	Pt	kW	656,3	641,1	624,5	606,9	590,1	572,3
	Pat	kW	107,0	117,9	129,9	143,3	158,5	175,8
	qw	m ³ /h	113,62	111,23	108,58	105,72	104,85	100,07
	dpw	kPa	142,6	136,7	130,2	123,5	121,4	110,6
15°C / 90%	Pt	kW	745,6	726,7	706,0	683,8	662,2	639,3
	Pat	kW	107,4	118,4	130,4	143,9	159,0	176,1
		m ³ /h	129,09	126,09	122,74	119,12	117,67	111,78
	dpw	kPa	184,1	175,6	166,4	156,8	153,0	138,0

Technical data

PERFORMANCE IN HEAT RECOVERY MODE

CMAA SL

Twout	012							015						
	Heat recovery water out							Heat recovery water out						
		30	35	40	45	50	55	30	35	40	45	50	55	
6°C	Pf	kW	51,4	48,8	46,1	43,2	40,3	37,2	63,5	60,4	57,1	53,5	50,0	46,1
	Pa	kW	10,3	11,4	12,5	13,8	15,2	16,9	11,8	13,0	14,3	15,8	17,4	19,3
	qw	m³/h	8,82	8,38	7,91	7,42	6,92	6,38	10,89	10,35	9,78	9,18	8,57	7,91
	dpw	kPa	79,9	72,9	65,8	58,6	51,6	44,6	64,6	59,0	53,3	47,5	41,9	36,3
	Pr	kW	61,8	60,2	58,6	57,0	55,6	54,1	75,3	73,4	71,4	69,3	67,4	65,4
	qwr	m³/h	10,62	10,36	10,08	9,81	9,56	9,30	12,95	12,62	12,27	11,92	11,60	11,26
	dpwr	kPa	94,1	89,5	84,8	80,2	76,2	72,1	76,3	72,4	68,5	64,6	61,1	57,6
7°C	Pf	kW	53,0	50,4	47,6	44,6	41,6	38,4	65,5	62,3	58,8	55,2	51,6	47,6
	Pa	kW	10,4	11,4	12,5	13,8	15,2	16,9	11,8	13,0	14,3	15,8	17,5	19,3
	qw	m³/h	9,10	8,65	8,17	7,66	7,14	6,59	11,23	10,68	10,10	9,48	8,85	8,17
	dpw	kPa	84,6	77,2	69,6	62,0	54,7	47,3	68,3	62,4	56,4	50,3	44,4	38,5
	Pr	kW	63,4	61,8	60,1	58,4	56,9	55,3	77,3	75,3	73,2	71,0	69,0	66,9
	qwr	m³/h	10,90	10,63	10,34	10,05	9,78	9,51	13,30	12,95	12,59	12,22	11,87	11,51
	dpwr	kPa	99,2	94,2	89,2	84,2	79,8	75,4	80,4	76,2	72,0	67,9	64,1	60,3
8°C	Pf	kW	54,7	52,0	49,1	46,0	43,0	39,6	67,5	64,2	60,7	57,0	53,2	49,1
	Pa	kW	10,4	11,4	12,6	13,8	15,3	16,9	11,9	13,0	14,3	15,8	17,5	19,4
	qw	m³/h	9,39	8,92	8,43	7,90	7,37	6,80	11,59	11,02	10,42	9,78	9,13	8,43
	dpw	kPa	89,5	81,7	73,7	65,7	58,0	50,1	72,2	66,0	59,6	53,2	47,0	40,7
	Pr	kW	65,1	63,4	61,6	59,9	58,2	56,6	79,3	77,2	75,0	72,8	70,7	68,5
	qwr	m³/h	11,19	10,90	10,60	10,30	10,01	9,73	13,65	13,28	12,90	12,52	12,16	11,78
	dpwr	kPa	104,5	99,1	93,7	88,4	83,6	78,9	84,7	80,2	75,7	71,3	67,2	63,1
9°C	Pf	kW	56,4	53,6	50,6	47,5	44,3	40,9	69,6	66,2	62,6	58,7	54,8	50,7
	Pa	kW	10,4	11,4	12,6	13,8	15,3	16,9	11,9	13,1	14,4	15,8	17,5	19,4
	qw	m³/h	9,69	9,21	8,70	8,16	7,61	7,02	11,95	11,37	10,75	10,09	9,42	8,70
	dpw	kPa	94,7	86,4	78,0	69,5	61,4	53,1	76,3	69,7	63,0	56,3	49,8	43,1
	Pr	kW	66,8	65,0	63,2	61,3	59,6	57,8	81,4	79,2	76,9	74,6	72,4	70,0
	qwr	m³/h	11,49	11,19	10,87	10,55	10,25	9,95	14,01	13,63	13,23	12,83	12,45	12,05
	dpwr	kPa	110,1	104,3	98,5	92,8	87,6	82,5	89,2	84,4	79,6	74,8	70,4	66,0
10°C	Pf	kW	58,1	55,3	52,2	49,0	45,7	42,2	71,7	68,2	64,5	60,5	56,6	52,3
	Pa	kW	10,4	11,5	12,6	13,9	15,3	17,0	11,9	13,1	14,4	15,9	17,5	19,4
	qw	m³/h	10,00	9,51	8,98	8,43	7,87	7,26	12,33	11,73	11,09	10,42	9,73	8,99
	dpw	kPa	100,3	91,6	82,7	73,7	65,1	56,4	80,8	73,8	66,8	59,6	52,7	45,7
	Pr	kW	68,5	66,7	64,8	62,8	61,0	59,2	83,6	81,3	78,9	76,4	74,1	71,7
	qwr	m³/h	11,79	11,47	11,15	10,81	10,50	10,18	14,37	13,98	13,57	13,14	12,74	12,33
	dpwr	kPa	115,9	109,8	103,6	97,4	91,9	86,3	94,0	88,9	83,7	78,6	73,8	69,1
11°C	Pf	kW	59,9	56,9	53,8	50,5	47,1	43,5	73,8	70,3	66,4	62,4	58,3	53,9
	Pa	kW	10,4	11,5	12,6	13,9	15,3	17,0	11,9	13,1	14,4	15,9	17,6	19,4
	qw	m³/h	10,32	9,81	9,27	8,70	8,12	7,50	12,73	12,11	11,45	10,75	10,05	9,29
	dpw	kPa	106,2	97,0	87,6	78,1	69,0	59,8	85,5	78,1	70,7	63,1	55,9	48,5
	Pr	kW	70,3	68,4	66,4	64,4	62,5	60,5	85,8	83,4	80,9	78,3	75,9	73,3
	qwr	m³/h	12,10	11,77	11,43	11,07	10,74	10,41	14,75	14,34	13,91	13,47	13,05	12,61
	dpwr	kPa	122,1	115,5	108,9	102,3	96,3	90,3	98,9	93,5	88,0	82,5	77,4	72,3

Twout = Outlet water temperature (°C); Pf = Cooling capacity (kW); Pr = Recovery mode heating capacity (kW); Pa = Compressors heating capacity (kW); qw = Water flow (m³/h); dpw = Pressure drop (kPa); qwr = Recovery heat exchanger water flow (m³/h); dpwr = Recovery heat exchanger pressure drop (kPa). Water flow and pressure drop on heat exchanger calculated with $\Delta T = 5^\circ\text{C}$.

Technical data

PERFORMANCE IN HEAT RECOVERY MODE

CMAA SL

Twout	018							023						
	Heat recovery water out							Heat recovery water out						
	30	35	40	45	50	55	30	35	40	45	50	55		
6 °C	Pf	kW	73,4	69,7	65,7	61,5	57,2	52,6	92,1	88,0	83,3	78,3	73,1	67,4
	Pa	kW	14,9	16,3	18,0	19,9	22,0	24,4	16,1	17,8	19,7	21,9	24,4	27,3
	qw	m ³ /h	12,58	11,95	11,27	10,55	9,82	9,02	15,80	15,08	14,29	13,43	12,54	11,56
	dpw	kPa	76,9	70,0	63,0	56,0	49,2	42,2	82,2	75,6	68,7	61,4	54,2	46,9
	Pr	kW	88,2	86,0	83,7	81,4	79,2	77,0	108,2	105,7	103,0	100,2	97,5	94,7
	qwr	m ³ /h	15,18	14,80	14,40	14,00	13,63	13,24	18,62	18,19	17,72	17,24	16,77	16,29
	dpwr	kPa	92,0	87,4	82,8	78,3	74,1	70,0	92,1	87,9	83,5	78,9	74,8	70,5
7 °C	Pf	kW	75,7	71,9	67,8	63,5	59,1	54,3	94,9	90,6	85,9	80,7	75,4	69,5
	Pa	kW	14,9	16,4	18,0	19,9	22,0	24,4	16,1	17,8	19,7	21,9	24,4	27,3
	qw	m ³ /h	12,99	12,33	11,64	10,90	10,14	9,32	16,29	15,55	14,74	13,85	12,93	11,93
	dpw	kPa	81,4	74,2	66,8	59,3	52,1	44,8	86,9	79,9	72,6	64,9	57,3	49,6
	Pr	kW	90,6	88,3	85,9	83,4	81,1	78,7	111,1	108,5	105,6	102,6	99,8	96,8
	qwr	m ³ /h	15,58	15,18	14,77	14,34	13,95	13,54	19,10	18,65	18,17	17,65	17,16	16,64
	dpwr	kPa	96,9	92,0	87,1	82,2	77,7	73,2	97,0	92,5	87,7	82,8	78,3	73,6
8 °C	Pf	kW	78,1	74,2	70,0	65,5	61,0	56,1	97,8	93,4	88,5	83,2	77,7	71,7
	Pa	kW	14,9	16,4	18,1	19,9	22,0	24,4	16,2	17,8	19,7	21,9	24,4	27,2
	qw	m ³ /h	13,40	12,73	12,01	11,25	10,47	9,63	16,79	16,03	15,20	14,28	13,34	12,30
	dpw	kPa	86,1	78,5	70,7	62,8	55,2	47,5	91,8	84,4	76,7	68,6	60,6	52,4
	Pr	kW	93,0	90,6	88,0	85,5	83,0	80,5	114,0	111,2	108,2	105,1	102,1	98,9
	qwr	m ³ /h	15,99	15,58	15,14	14,70	14,28	13,85	19,60	19,13	18,62	18,08	17,56	17,01
	dpwr	kPa	102,2	96,9	91,6	86,3	81,5	76,6	102,1	97,3	92,1	86,8	81,9	76,9
9 °C	Pf	kW	80,5	76,5	72,2	67,6	63,0	57,9	100,7	96,2	91,2	85,7	80,1	73,9
	Pa	kW	15,0	16,4	18,1	20,0	22,1	24,4	16,2	17,9	19,7	21,9	24,4	27,2
	qw	m ³ /h	13,83	13,14	12,40	11,61	10,81	9,95	17,30	16,53	15,66	14,72	13,75	12,69
	dpw	kPa	91,1	83,1	74,8	66,5	58,5	50,4	96,9	89,2	81,0	72,4	64,1	55,4
	Pr	kW	95,5	92,9	90,3	87,6	85,0	82,4	116,9	114,1	110,9	107,6	104,5	101,1
	qwr	m ³ /h	16,42	15,98	15,53	15,06	14,62	14,17	20,11	19,62	19,08	18,51	17,97	17,39
	dpwr	kPa	107,6	102,0	96,3	90,6	85,4	80,1	107,5	102,3	96,8	91,1	85,8	80,4
10 °C	Pf	kW	83,0	78,8	74,4	69,7	65,0	59,8	103,7	99,1	93,9	88,3	82,5	76,1
	Pa	kW	15,0	16,5	18,1	20,0	22,1	24,5	16,2	17,9	19,8	21,9	24,4	27,2
	qw	m ³ /h	14,28	13,57	12,81	12,00	11,18	10,29	17,85	17,05	16,16	15,19	14,19	13,10
	dpw	kPa	96,5	88,0	79,3	70,6	62,1	53,5	102,4	94,3	85,7	76,7	67,8	58,7
	Pr	kW	98,0	95,3	92,6	89,7	87,0	84,3	120,0	117,0	113,7	110,2	106,9	103,4
	qwr	m ³ /h	16,85	16,39	15,92	15,43	14,97	14,49	20,64	20,12	19,56	18,96	18,38	17,78
	dpwr	kPa	113,4	107,3	101,2	95,1	89,5	83,9	113,2	107,6	101,6	95,5	89,8	84,0
11 °C	Pf	kW	85,5	81,3	76,7	71,9	67,0	61,7	106,8	102,0	96,7	91,0	85,0	78,5
	Pa	kW	15,0	16,5	18,2	20,0	22,1	24,5	16,3	17,9	19,8	21,9	24,4	27,2
	qw	m ³ /h	14,74	14,01	13,22	12,39	11,55	10,64	18,41	17,59	16,67	15,68	14,65	13,52
	dpw	kPa	102,2	93,2	84,1	74,8	65,9	56,8	108,3	99,7	90,6	81,1	71,8	62,1
	Pr	kW	100,5	97,8	94,9	91,9	89,1	86,2	123,1	119,9	116,5	112,9	109,4	105,7
	qwr	m ³ /h	17,29	16,82	16,32	15,81	15,33	14,82	21,17	20,63	20,04	19,42	18,81	18,17
	dpwr	kPa	119,4	112,9	106,4	99,8	93,8	87,8	119,1	113,1	106,7	100,2	94,1	87,8

Twout = Outlet water temperature (°C); Pf = Cooling capacity (kW); Pr = Recovery mode heating capacity (kW); Pa = Compressors heating capacity (kW); qw = Water flow (m³/h); dpw = Pressure drop (kPa); qwr = Recovery heat exchanger water flow (m³/h); dpwr = Recovery heat exchanger pressure drop (kPa). Water flow and pressure drop on heat exchanger calculated with $\Delta T = 5$ °C.

PERFORMANCE IN HEAT RECOVERY MODE
CMAA SL

Twout	030							033						
	Heat recovery water out							Heat recovery water out						
	30	35	40	45	50	55	30	35	40	45	50	55		
6°C	Pf	kW	121,8	115,9	109,5	102,8	96,0	88,5	135,6	128,9	121,8	114,2	106,4	97,8
	Pa	kW	23,4	25,9	28,7	31,9	35,5	39,5	25,2	28,0	31,2	34,8	38,9	43,5
	qw	m³/h	20,89	19,87	18,79	17,63	16,46	15,18	23,25	22,11	20,88	19,58	18,24	16,78
	dpw	kPa	78,1	71,4	64,5	57,6	50,9	44,0	64,1	58,5	52,8	47,0	41,4	35,6
	Pr	kW	145,3	141,8	138,3	134,7	131,4	128,1	160,8	156,9	153,0	149,0	145,3	141,4
	qwr	m³/h	24,99	24,39	23,78	23,17	22,61	22,03	27,65	26,99	26,31	25,63	24,99	24,32
	dpwr	kPa	92,0	87,6	83,3	79,1	75,3	71,5	74,4	70,8	67,3	63,9	60,8	57,5
7°C	Pf	kW	125,6	119,5	113,0	106,1	99,0	91,4	139,8	132,9	125,6	117,8	109,8	101,0
	Pa	kW	23,4	25,9	28,7	31,9	35,5	39,6	25,2	28,0	31,2	34,8	38,9	43,5
	qw	m³/h	21,56	20,51	19,39	18,20	16,99	15,68	23,99	22,81	21,55	20,21	18,84	17,33
	dpw	kPa	82,7	75,5	68,3	61,0	53,9	46,6	67,8	61,9	55,9	49,8	43,9	37,8
	Pr	kW	149,1	145,5	141,7	138,0	134,5	130,9	165,0	160,9	156,8	152,6	148,7	144,5
	qwr	m³/h	25,64	25,02	24,38	23,73	23,14	22,52	28,38	27,68	26,97	26,25	25,58	24,86
	dpwr	kPa	96,9	92,2	87,6	83,0	78,9	74,7	78,3	74,5	70,7	67,0	63,6	60,1
8°C	Pf	kW	129,5	123,2	116,5	109,4	102,2	94,3	144,1	137,0	129,5	121,5	113,3	104,3
	Pa	kW	23,5	26,0	28,8	31,9	35,5	39,6	25,2	28,0	31,2	34,8	38,9	43,5
	qw	m³/h	22,24	21,16	20,01	18,79	17,54	16,19	24,74	23,53	22,24	20,86	19,45	17,90
	dpw	kPa	87,4	79,9	72,3	64,5	57,0	49,4	71,7	65,5	59,1	52,7	46,5	40,0
	Pr	kW	153,0	149,2	145,3	141,3	137,7	133,9	169,3	165,0	160,7	156,3	152,2	147,8
	qwr	m³/h	26,32	25,66	24,99	24,31	23,68	23,02	29,12	28,39	27,64	26,88	26,17	25,42
	dpwr	kPa	102,0	97,0	92,0	87,1	82,6	78,1	82,5	78,4	74,3	70,3	66,6	62,9
9°C	Pf	kW	133,5	127,0	120,2	112,9	105,4	97,3	148,5	141,2	133,5	125,3	116,9	107,6
	Pa	kW	23,5	26,0	28,8	31,9	35,5	39,6	25,2	28,0	31,2	34,8	38,8	43,5
	qw	m³/h	22,94	21,82	20,64	19,39	18,11	16,72	25,51	24,26	22,94	21,52	20,07	18,49
	dpw	kPa	92,4	84,5	76,4	68,3	60,4	52,3	75,7	69,2	62,5	55,8	49,2	42,4
	Pr	kW	157,0	153,0	148,9	144,8	140,9	136,9	173,7	169,2	164,7	160,1	155,7	151,1
	qwr	m³/h	27,01	26,32	25,62	24,90	24,24	23,54	29,88	29,11	28,33	27,53	26,78	25,99
	dpwr	kPa	107,5	102,1	96,7	91,4	86,5	81,6	86,9	82,4	78,1	73,7	69,8	65,7
10°C	Pf	kW	137,6	130,9	123,9	116,4	108,7	100,4	153,0	145,6	137,6	129,2	120,5	111,1
	Pa	kW	23,5	26,0	28,8	31,9	35,5	39,6	25,2	28,0	31,2	34,7	38,8	43,4
	qw	m³/h	23,68	22,53	21,31	20,02	18,70	17,27	26,32	25,04	23,68	22,23	20,74	19,11
	dpw	kPa	97,9	89,5	81,0	72,4	64,0	55,5	80,1	73,3	66,2	59,1	52,2	45,0
	Pr	kW	161,1	157,0	152,7	148,3	144,2	139,9	178,2	173,6	168,8	163,9	159,3	154,5
	qwr	m³/h	27,72	27,00	26,26	25,51	24,80	24,07	30,66	29,85	29,03	28,20	27,41	26,57
	dpwr	kPa	113,2	107,4	101,6	95,9	90,6	85,4	91,4	86,7	82,0	77,3	73,1	68,7
11°C	Pf	kW	141,8	134,9	127,7	119,9	112,1	103,5	157,6	150,0	141,8	133,2	124,3	114,6
	Pa	kW	23,6	26,0	28,8	32,0	35,5	39,6	25,3	28,0	31,2	34,7	38,8	43,4
	qw	m³/h	24,43	23,26	22,00	20,67	19,32	17,85	27,16	25,85	24,44	22,95	21,42	19,74
	dpw	kPa	103,6	94,8	85,8	76,6	67,8	58,8	84,8	77,5	70,1	62,6	55,3	47,8
	Pr	kW	165,3	161,0	156,5	151,9	147,6	143,1	182,9	178,0	173,0	167,9	163,1	158,0
	qwr	m³/h	28,44	27,69	26,91	26,13	25,39	24,61	31,45	30,61	29,75	28,88	28,05	27,17
	dpwr	kPa	119,1	112,9	106,7	100,6	94,9	89,3	96,2	91,2	86,1	81,1	76,5	71,8

Twout = Outlet water temperature (°C); Pf = Cooling capacity (kW); Pr = Recovery mode heating capacity (kW); Pa = Compressors heating capacity (kW); qw = Water flow (m³/h); dpw = Pressure drop (kPa); qwr = Recovery heat exchanger water flow (m³/h); dpwr = Recovery heat exchanger pressure drop (kPa). Water flow and pressure drop on heat exchanger calculated with ΔT= 5 °C.

Technical data

PERFORMANCE IN HEAT RECOVERY MODE

CMAA SL

Twout	037							044						
	Heat recovery water out							Heat recovery water out						
		30	35	40	45	50	55	30	35	40	45	50	55	
6 °C	Pf	kW	151,3	143,9	135,9	127,3	118,3	108,3	176,0	167,9	158,9	149,1	138,8	127,3
	Pa	kW	30,2	33,4	37,0	41,1	45,7	50,8	32,4	35,6	39,3	43,4	48,0	53,2
	qw	m ³ /h	25,94	24,68	23,31	21,83	20,28	18,57	30,18	28,79	27,26	25,57	23,80	21,83
	dpw	kPa	74,1	67,7	61,1	54,3	47,6	40,6	55,0	50,5	45,8	40,8	35,9	30,7
	Pr	kW	181,5	177,4	173,0	168,4	164,0	159,1	208,4	203,5	198,2	192,5	186,8	180,5
	qwr	m ³ /h	31,22	30,51	29,75	28,96	28,20	27,37	35,84	35,01	34,10	33,11	32,13	31,05
	dpwr	kPa	87,0	83,1	79,0	74,9	71,0	66,9	64,5	61,6	58,4	55,1	51,9	48,4
7 °C	Pf	kW	156,0	148,5	140,2	131,3	122,1	111,9	181,3	173,0	163,8	153,7	143,2	131,4
	Pa	kW	30,2	33,4	37,0	41,1	45,7	50,8	32,4	35,6	39,3	43,4	48,0	53,2
	qw	m ³ /h	26,77	25,47	24,06	22,54	20,95	19,19	31,11	29,69	28,11	26,38	24,56	22,54
	dpw	kPa	78,4	71,7	64,7	57,5	50,4	43,1	58,1	53,4	48,4	43,2	38,0	32,5
	Pr	kW	186,2	181,9	177,3	172,4	167,8	162,7	213,7	208,7	203,1	197,1	191,2	184,6
	qwr	m ³ /h	32,03	31,29	30,49	29,66	28,86	27,98	36,76	35,89	34,94	33,91	32,88	31,75
	dpwr	kPa	91,6	87,4	83,0	78,5	74,3	69,9	67,9	64,7	61,3	57,8	54,3	50,7
8 °C	Pf	kW	160,8	153,1	144,7	135,5	126,0	115,5	186,8	178,3	168,9	158,5	147,6	135,6
	Pa	kW	30,3	33,4	37,0	41,1	45,7	50,8	32,4	35,6	39,3	43,4	48,0	53,2
	qw	m ³ /h	27,61	26,28	24,83	23,27	21,64	19,83	32,07	30,61	28,99	27,21	25,35	23,28
	dpw	kPa	82,9	75,8	68,5	60,9	53,4	45,7	61,3	56,4	51,2	45,6	40,2	34,5
	Pr	kW	191,1	186,5	181,7	176,6	171,7	166,3	219,2	213,9	208,1	201,9	195,6	188,8
	qwr	m ³ /h	32,86	32,08	31,25	30,38	29,53	28,61	37,70	36,79	35,80	34,72	33,65	32,47
	dpwr	kPa	96,4	91,9	87,2	82,3	77,8	73,1	71,4	68,0	64,4	60,6	56,9	53,0
9 °C	Pf	kW	165,7	157,8	149,2	139,8	130,0	119,3	192,4	183,7	174,0	163,3	152,2	139,9
	Pa	kW	30,3	33,4	37,0	41,1	45,6	50,8	32,4	35,6	39,3	43,4	48,0	53,2
	qw	m ³ /h	28,47	27,11	25,62	24,01	22,34	20,49	33,04	31,55	29,89	28,06	26,15	24,02
	dpw	kPa	87,6	80,2	72,4	64,5	56,6	48,5	64,8	59,6	54,0	48,2	42,5	36,5
	Pr	kW	196,0	191,2	186,2	180,9	175,7	170,1	224,7	219,3	213,3	206,7	200,2	193,0
	qwr	m ³ /h	33,71	32,89	32,02	31,11	30,22	29,25	38,66	37,72	36,68	35,56	34,44	33,20
	dpwr	kPa	101,4	96,6	91,5	86,4	81,5	76,4	75,1	71,5	67,6	63,5	59,6	55,4
10 °C	Pf	kW	170,8	162,7	153,8	144,2	134,2	123,1	198,1	189,1	179,2	168,3	156,9	144,2
	Pa	kW	30,3	33,4	37,0	41,1	45,6	50,8	32,4	35,6	39,3	43,4	48,0	53,2
	qw	m ³ /h	29,39	27,99	26,46	24,80	23,09	21,19	34,08	32,54	30,84	28,96	27,00	24,82
	dpw	kPa	92,7	84,9	76,8	68,3	60,0	51,5	68,5	63,0	57,2	51,1	45,0	38,7
	Pr	kW	201,1	196,1	190,8	185,2	179,8	173,9	230,4	224,8	218,5	211,7	204,9	197,4
	qwr	m ³ /h	34,58	33,73	32,82	31,86	30,93	29,91	39,64	38,66	37,58	36,41	35,24	33,96
	dpwr	kPa	106,7	101,5	96,1	90,6	85,4	79,9	78,9	75,1	71,0	66,6	62,4	57,9
11 °C	Pf	kW	176,0	167,6	158,5	148,6	138,4	127,1	203,9	194,8	184,6	173,4	161,7	148,7
	Pa	kW	30,3	33,4	37,0	41,0	45,6	50,8	32,4	35,6	39,3	43,4	48,0	53,2
	qw	m ³ /h	30,32	28,89	27,32	25,62	23,85	21,90	35,14	33,57	31,81	29,89	27,87	25,64
	dpw	kPa	98,1	89,9	81,3	72,4	63,7	54,6	72,3	66,6	60,5	54,0	47,7	41,0
	Pr	kW	206,2	201,0	195,5	189,7	184,0	177,8	236,3	230,4	223,8	216,8	209,7	201,9
	qwr	m ³ /h	35,47	34,58	33,63	32,63	31,65	30,59	40,64	39,62	38,50	37,28	36,07	34,73
	dpwr	kPa	112,3	106,7	100,9	95,0	89,4	83,5	83,0	78,9	74,5	69,8	65,3	60,6

Twout = Outlet water temperature (°C); Pf = Cooling capacity (kW); Pr = Recovery mode heating capacity (kW); Pa = Compressors heating capacity (kW); qw = Water flow (m³/h); dpw = Pressure drop (kPa); qwr = Recovery heat exchanger water flow (m³/h); dpwr = Recovery heat exchanger pressure drop (kPa). Water flow and pressure drop on heat exchanger calculated with ΔT= 5 °C.

Technical data

PERFORMANCE IN HEAT RECOVERY MODE

CMAA SL

Twout	047							057						
	Heat recovery water out							Heat recovery water out						
	30	35	40	45	50	55	30	35	40	45	50	55		
6°C	Pf	kW	190,4	181,4	171,6	160,8	149,5	137,2	232,4	220,7	208,2	194,9	181,2	166,1
	Pa	kW	35,7	39,3	43,3	47,8	52,8	58,6	45,1	50,0	55,5	61,8	69,0	77,0
	qw	m³/h	32,65	31,12	29,42	27,57	25,64	23,52	39,85	37,84	35,70	33,42	31,07	28,49
	dpw	kPa	60,6	55,6	50,2	44,7	39,2	33,6	77,3	70,4	63,4	56,3	49,4	42,2
	Pr	kW	226,1	220,7	214,8	208,5	202,4	195,7	277,5	270,7	263,8	256,7	250,2	243,2
	qwr	m³/h	38,89	37,96	36,95	35,87	34,81	33,66	47,73	46,55	45,37	44,16	43,03	41,82
	dpwr	kPa	71,7	68,3	64,7	61,0	57,4	53,7	93,5	89,0	84,5	80,1	76,0	71,8
	7°C	Pf	kW	196,2	187,0	176,8	165,8	154,2	141,5	239,7	227,7	214,9	201,2	187,1
Pa		kW	35,7	39,3	43,3	47,8	52,9	58,6	45,1	50,0	55,5	61,8	68,9	77,0
qw		m³/h	33,66	32,08	30,34	28,44	26,46	24,28	41,13	39,06	36,87	34,52	32,11	29,46
dpw		kPa	64,0	58,7	53,1	47,3	41,5	35,6	81,8	74,5	67,1	59,7	52,4	44,8
Pr		kW	231,9	226,3	220,1	213,5	207,1	200,1	284,8	277,6	270,4	263,0	256,1	248,6
qwr		m³/h	39,88	38,92	37,86	36,73	35,62	34,42	48,98	47,75	46,51	45,24	44,04	42,77
dpwr		kPa	75,4	71,8	68,0	64,0	60,1	56,2	98,5	93,6	88,8	84,0	79,7	75,1
8°C		Pf	kW	202,1	192,7	182,2	170,9	159,0	146,0	247,1	234,8	221,7	207,7	193,2
	Pa	kW	35,7	39,3	43,3	47,8	52,9	58,6	45,1	50,0	55,5	61,8	68,9	76,9
	qw	m³/h	34,70	33,08	31,29	29,33	27,30	25,07	42,43	40,31	38,06	35,65	33,17	30,45
	dpw	kPa	67,6	62,0	56,1	50,0	43,9	37,7	86,5	78,9	71,1	63,2	55,5	47,6
	Pr	kW	237,8	232,0	225,6	218,7	211,9	204,6	292,2	284,8	277,2	269,4	262,1	254,3
	qwr	m³/h	40,90	39,90	38,80	37,61	36,45	35,19	50,26	48,98	47,68	46,34	45,08	43,73
	dpwr	kPa	79,3	75,5	71,4	67,1	63,0	58,7	103,7	98,5	93,3	88,2	83,4	78,5
	9°C	Pf	kW	208,2	198,5	187,8	176,1	164,0	150,6	254,8	242,1	228,7	214,3	199,4
Pa		kW	35,7	39,3	43,3	47,8	52,9	58,6	45,1	50,0	55,5	61,7	68,8	76,8
qw		m³/h	35,76	34,09	32,26	30,25	28,16	25,87	43,77	41,59	39,28	36,80	34,26	31,46
dpw		kPa	71,4	65,5	59,3	52,8	46,4	39,9	91,4	83,4	75,3	66,9	58,8	50,5
Pr		kW	243,9	237,8	231,1	223,9	216,8	209,2	299,9	292,1	284,1	276,0	268,3	260,0
qwr		m³/h	41,94	40,90	39,75	38,52	37,30	35,98	51,58	50,24	48,87	47,47	46,14	44,72
dpwr		kPa	83,4	79,3	74,9	70,3	65,9	61,4	109,2	103,7	98,1	92,5	87,4	82,1
10°C		Pf	kW	214,4	204,4	193,4	181,4	169,0	155,3	262,6	249,6	235,8	221,0	205,8
	Pa	kW	35,7	39,3	43,4	47,8	52,9	58,6	45,1	50,0	55,5	61,7	68,8	76,8
	qw	m³/h	36,88	35,17	33,28	31,22	29,08	26,72	45,18	42,95	40,57	38,03	35,41	32,54
	dpw	kPa	75,5	69,3	62,7	55,9	49,2	42,2	96,8	88,4	79,8	71,0	62,5	53,6
	Pr	kW	250,1	243,7	236,8	229,3	221,9	213,9	307,7	299,6	291,3	282,7	274,6	265,9
	qwr	m³/h	43,01	41,92	40,73	39,44	38,17	36,79	52,93	51,53	50,10	48,63	47,23	45,74
	dpwr	kPa	87,7	83,3	78,6	73,7	69,1	64,2	115,0	109,1	103,1	97,1	91,6	85,9
	11°C	Pf	kW	220,7	210,5	199,2	186,9	174,2	160,1	270,6	257,3	243,1	227,9	212,3
Pa		kW	35,7	39,3	43,4	47,9	52,9	58,6	45,1	50,0	55,5	61,7	68,7	76,7
qw		m³/h	38,03	36,28	34,33	32,22	30,02	27,60	46,63	44,34	41,90	39,28	36,60	33,65
dpw		kPa	79,8	73,2	66,3	59,1	52,1	44,8	102,5	93,6	84,5	75,3	66,3	57,0
Pr		kW	256,4	249,8	242,6	234,8	227,1	218,7	315,7	307,3	298,6	289,6	281,1	272,0
qwr		m³/h	44,10	42,97	41,72	40,38	39,06	37,62	54,30	52,85	51,35	49,81	48,35	46,78
dpwr		kPa	92,2	87,5	82,5	77,3	72,3	67,1	121,1	114,7	108,3	101,9	96,0	89,9

Twout = Outlet water temperature (°C); Pf = Cooling capacity (kW); Pr = Recovery mode heating capacity (kW); Pa = Compressors heating capacity (kW); qw = Water flow (m³/h); dpw = Pressure drop (kPa); qwr = Recovery heat exchanger water flow (m³/h); dpwr = Recovery heat exchanger pressure drop (kPa). Water flow and pressure drop on heat exchanger calculated with $\Delta T = 5^\circ\text{C}$.

Technical data

PERFORMANCE IN HEAT RECOVERY MODE

CMAA SL

Twout	070							087						
	Heat recovery water out							Heat recovery water out						
		30	35	40	45	50	55	30	35	40	45	50	55	
6 °C	Pf	kW	287,4	273,1	258,0	241,9	225,3	207,2	354,4	337,5	318,7	298,1	276,4	252,3
	Pa	kW	52,5	58,3	65,0	72,5	81,1	90,7	71,7	78,9	87,0	96,1	106,4	117,8
	qw	m ³ /h	49,28	46,84	44,24	41,48	38,64	35,53	60,78	57,87	54,65	51,12	47,40	43,26
	dpw	kPa	80,7	73,6	66,4	59,2	52,1	44,8	81,3	74,4	67,2	59,5	52,0	44,1
	Pr	kW	339,8	331,5	323,0	314,4	306,4	297,9	426,1	416,4	405,7	394,2	382,8	370,1
	qwr	m ³ /h	58,45	57,01	55,56	54,08	52,70	51,24	73,29	71,62	69,78	67,80	65,83	63,66
	dpwr	kPa	96,0	91,3	86,7	82,2	78,1	73,8	101,5	96,9	92,0	86,8	81,9	76,6
7 °C	Pf	kW	296,2	281,6	266,1	249,5	232,5	213,9	365,4	348,0	328,7	307,6	285,4	260,6
	Pa	kW	52,5	58,3	65,0	72,5	81,0	90,7	71,7	78,9	87,0	96,1	106,3	117,8
	qw	m ³ /h	50,82	48,32	45,65	42,81	39,90	36,71	62,69	59,71	56,41	52,77	48,96	44,72
	dpw	kPa	85,3	77,9	70,3	62,6	55,2	47,5	86,0	78,8	71,1	63,1	55,1	46,8
	Pr	kW	348,7	340,0	331,1	322,0	313,6	304,6	437,0	426,9	415,7	403,7	391,7	378,5
	qwr	m ³ /h	59,98	58,47	56,94	55,39	53,93	52,39	75,17	73,43	71,51	69,43	67,37	65,10
	dpwr	kPa	101,1	96,1	91,1	86,2	81,7	77,1	106,7	101,8	96,6	91,1	85,7	80,0
8 °C	Pf	kW	305,3	290,3	274,3	257,3	239,9	220,8	376,5	358,8	339,0	317,3	294,5	269,2
	Pa	kW	52,5	58,3	65,0	72,5	81,0	90,6	71,7	78,9	87,0	96,1	106,3	117,8
	qw	m ³ /h	52,41	49,84	47,10	44,18	41,19	37,91	64,65	61,59	58,20	54,48	50,56	46,22
	dpw	kPa	90,1	82,3	74,4	66,3	58,4	50,3	90,9	83,3	75,2	66,8	58,4	49,7
	Pr	kW	357,8	348,6	339,3	329,8	320,9	311,4	448,2	437,6	426,0	413,4	400,8	387,0
	qwr	m ³ /h	61,54	59,97	58,36	56,73	55,19	53,56	77,10	75,28	73,27	71,10	68,94	66,56
	dpwr	kPa	106,4	101,1	95,7	90,4	85,6	80,6	112,3	107,0	101,4	95,5	89,8	83,7
9 °C	Pf	kW	314,5	299,2	282,8	265,3	247,4	227,9	388,0	369,8	349,5	327,3	303,9	278,0
	Pa	kW	52,6	58,4	64,9	72,4	80,9	90,5	71,7	78,9	87,0	96,1	106,3	117,8
	qw	m ³ /h	54,03	51,39	48,58	45,58	42,51	39,14	66,65	63,52	60,04	56,22	52,21	47,75
	dpw	kPa	95,2	87,0	78,6	70,1	61,8	53,3	96,0	88,0	79,5	70,7	61,8	52,7
	Pr	kW	367,1	357,5	347,7	337,8	328,4	318,4	459,7	448,6	436,5	423,3	410,2	395,7
	qwr	m ³ /h	63,15	61,50	59,81	58,10	56,48	54,77	79,06	77,17	75,08	72,81	70,55	68,07
	dpwr	kPa	112,1	106,3	100,5	94,8	89,6	84,3	118,1	112,5	106,5	100,1	94,0	87,5
10 °C	Pf	kW	324,0	308,2	291,4	273,5	255,2	235,1	399,7	381,0	360,3	337,5	313,5	287,0
	Pa	kW	52,7	58,4	64,9	72,4	80,9	90,5	71,7	78,9	86,9	96,0	106,3	117,7
	qw	m ³ /h	55,75	53,04	50,15	47,06	43,90	40,45	68,77	65,56	61,99	58,06	53,95	49,37
	dpw	kPa	100,7	92,1	83,2	74,3	65,5	56,5	101,6	93,2	84,2	74,9	65,6	55,9
	Pr	kW	376,7	366,6	356,4	345,9	336,0	325,6	471,4	459,9	447,2	433,5	419,8	404,7
	qwr	m ³ /h	64,79	63,06	61,30	59,50	57,80	56,00	81,08	79,10	76,92	74,56	72,20	69,61
	dpwr	kPa	118,0	111,8	105,6	99,5	93,9	88,1	124,2	118,2	111,8	105,0	98,5	91,5
11 °C	Pf	kW	333,7	317,5	300,3	281,9	263,1	242,5	411,7	392,5	371,3	347,9	323,4	296,2
	Pa	kW	52,7	58,4	64,9	72,4	80,8	90,4	71,7	78,9	86,9	96,0	106,2	117,7
	qw	m ³ /h	57,51	54,73	51,75	48,58	45,34	41,80	70,95	67,65	63,99	59,96	55,73	51,04
	dpw	kPa	106,5	97,4	88,1	78,6	69,4	60,0	107,4	98,6	89,2	79,3	69,6	59,4
	Pr	kW	386,4	376,0	365,2	354,3	343,9	332,9	483,3	471,4	458,2	443,9	429,6	413,9
	qwr	m ³ /h	66,47	64,67	62,82	60,93	59,15	57,26	83,13	81,08	78,81	76,35	73,89	71,19
	dpwr	kPa	124,2	117,5	110,9	104,3	98,3	92,1	130,5	124,2	117,3	110,1	103,1	95,7

Twout = Outlet water temperature (°C); Pf = Cooling capacity (kW); Pr = Recovery mode heating capacity (kW); Pa = Compressors heating capacity (kW); qw = Water flow (m³/h); dpw = Pressure drop (kPa); qwr = Recovery heat exchanger water flow (m³/h); dpwr = Recovery heat exchanger pressure drop (kPa). Water flow and pressure drop on heat exchanger calculated with ΔT= 5 °C.

Technical data

PERFORMANCE IN HEAT RECOVERY MODE

CMAA SL

Twout	097							102						
	Heat recovery water out							Heat recovery water out						
	30	35	40	45	50	55	30	35	40	45	50	55		
6°C	Pf	kW	390,7	372,3	351,9	329,7	306,6	281,2	416,6	396,7	374,8	351,1	326,5	299,7
	Pa	kW	75,0	82,6	91,0	100,5	111,1	123,1	78,4	86,4	95,2	105,0	116,1	128,7
	qw	m³/h	67,00	63,83	60,35	56,54	52,58	48,22	71,44	68,02	64,27	60,20	55,99	51,40
	dpw	kPa	92,8	85,1	76,9	68,4	60,0	51,4	85,1	77,9	70,4	62,5	54,9	47,1
	Pr	kW	465,7	454,8	442,9	430,2	417,7	404,3	495,0	483,1	470,0	456,1	442,6	428,4
	qwr	m³/h	80,10	78,23	76,18	73,99	71,85	69,54	85,14	83,09	80,84	78,45	76,13	73,69
	dpwr	kPa	111,9	106,7	101,2	95,5	90,0	84,3	103,9	98,9	93,7	88,2	83,1	77,8
	7°C	Pf	kW	402,6	383,7	362,8	340,0	316,3	290,2	429,2	408,8	386,3	361,9	336,7
Pa		kW	75,0	82,6	91,0	100,5	111,1	123,2	78,5	86,5	95,3	105,1	116,2	128,7
qw		m³/h	69,09	65,84	62,25	58,34	54,27	49,79	73,65	70,14	66,28	62,10	57,78	53,06
dpw		kPa	98,1	90,0	81,3	72,4	63,5	54,4	89,9	82,3	74,4	66,1	58,1	49,8
Pr		kW	477,6	466,3	453,9	440,5	427,4	413,3	507,7	495,2	481,6	467,0	452,9	438,0
qwr		m³/h	82,15	80,20	78,06	75,77	73,52	71,10	87,32	85,18	82,83	80,33	77,90	75,33
dpwr		kPa	117,7	112,2	106,3	100,1	94,3	88,1	109,3	104,0	98,3	92,5	87,0	81,3
8°C		Pf	kW	414,9	395,4	374,0	350,6	326,2	299,4	442,2	421,2	398,1	373,0	347,2
	Pa	kW	75,0	82,6	91,1	100,5	111,2	123,2	78,5	86,5	95,4	105,2	116,2	128,8
	qw	m³/h	71,22	67,88	64,20	60,18	56,00	51,40	75,91	72,30	68,34	64,04	59,60	54,76
	dpw	kPa	103,6	95,1	86,0	76,5	67,2	57,6	95,0	87,0	78,6	69,9	61,4	52,7
	Pr	kW	489,9	478,1	465,0	451,1	437,4	422,6	520,7	507,7	493,4	478,2	463,4	447,7
	qwr	m³/h	84,26	82,22	79,99	77,59	75,23	72,69	89,56	87,33	84,87	82,25	79,71	77,01
	dpwr	kPa	123,8	117,9	111,6	105,0	98,7	92,1	115,0	109,3	103,2	97,0	91,1	85,0
	9°C	Pf	kW	427,3	407,4	385,4	361,4	336,4	308,9	455,4	433,8	410,1	384,4	357,9
Pa		kW	75,1	82,7	91,1	100,6	111,2	123,2	78,6	86,6	95,4	105,3	116,3	128,8
qw		m³/h	73,41	69,98	66,20	62,07	57,78	53,06	78,23	74,52	70,45	66,04	61,48	56,50
dpw		kPa	109,4	100,4	90,9	80,9	71,1	61,0	100,2	91,8	83,0	73,9	65,0	55,8
Pr		kW	502,4	490,1	476,5	461,9	447,6	432,1	534,0	520,5	505,6	489,7	474,2	457,7
qwr		m³/h	86,41	84,29	81,96	79,45	76,98	74,32	91,84	89,52	86,96	84,23	81,56	78,73
dpwr		kPa	130,2	123,9	117,1	110,1	103,3	96,3	120,9	114,9	108,4	101,7	95,3	88,8
10°C		Pf	kW	440,1	419,7	397,1	372,4	346,8	318,6	469,0	446,8	422,5	396,1	368,8
	Pa	kW	75,1	82,7	91,1	100,6	111,2	123,2	78,6	86,7	95,5	105,3	116,4	128,9
	qw	m³/h	75,73	72,21	68,32	64,08	59,67	54,82	80,69	76,88	72,69	68,15	63,46	58,35
	dpw	kPa	115,7	106,2	96,2	85,7	75,4	64,7	106,0	97,1	87,8	78,2	68,8	59,1
	Pr	kW	515,2	502,4	488,2	473,0	458,0	441,8	547,6	533,5	518,0	501,4	485,2	468,0
	qwr	m³/h	88,61	86,41	83,97	81,36	78,78	75,99	94,18	91,76	89,09	86,24	83,46	80,50
	dpwr	kPa	136,9	130,2	123,0	115,4	108,2	100,7	127,1	120,7	113,8	106,6	99,8	92,9
	11°C	Pf	kW	453,2	432,2	409,0	383,7	357,4	328,5	482,8	460,1	435,1	408,0	380,1
Pa		kW	75,1	82,7	91,2	100,6	111,2	123,2	78,7	86,8	95,6	105,4	116,5	129,0
qw		m³/h	78,11	74,49	70,49	66,13	61,60	56,62	83,21	79,29	74,99	70,32	65,50	60,25
dpw		kPa	122,4	112,4	101,7	90,7	79,8	68,6	112,0	102,7	92,9	82,7	72,8	62,6
Pr		kW	528,3	514,9	500,2	484,3	468,7	451,8	561,5	546,8	530,7	513,4	496,5	478,5
qwr		m³/h	90,87	88,57	86,03	83,31	80,61	77,70	96,57	94,05	91,28	88,31	85,40	82,31
dpwr		kPa	144,0	136,8	129,1	121,0	113,3	105,3	133,7	126,8	119,4	111,8	104,5	97,1

Twout = Outlet water temperature (°C); Pf = Cooling capacity (kW); Pr = Recovery mode heating capacity (kW); Pa = Compressors heating capacity (kW); qw = Water flow (m³/h); dpw = Pressure drop (kPa); qwr = Recovery heat exchanger water flow (m³/h); dpwr = Recovery heat exchanger pressure drop (kPa). Water flow and pressure drop on heat exchanger calculated with $\Delta T = 5^\circ\text{C}$.

Technical data

PERFORMANCE IN HEAT RECOVERY MODE

CMAA SL

Twout	120							130						
	Heat recovery water out							Heat recovery water out						
	30	35	40	45	50	55	30	35	40	45	50	55		
6 °C	Pf	kW	487,6	463,0	436,8	409,1	380,7	349,9	574,8	548,6	520,1	489,4	458,1	424,3
	Pa	kW	95,7	104,0	113,8	125,7	139,7	156,2	100,3	110,6	122,0	134,7	149,0	165,2
	qw	m ³ /h	83,61	79,39	74,91	70,15	65,28	59,99	98,57	94,07	89,18	83,93	78,56	72,75
	dpw	kPa	83,2	75,8	68,3	60,7	53,3	45,8	124,8	113,6	102,1	90,5	79,3	68,0
	Pr	kW	583,3	566,9	550,7	534,7	520,4	506,0	626,0	608,0	590,3	573,0	557,6	542,2
	qwr	m ³ /h	100,33	97,51	94,72	91,97	89,51	87,04	116,89	114,36	111,62	108,72	107,89	103,07
	dpwr	kPa	103,8	98,1	92,5	87,3	82,6	78,1	114,9	109,6	103,9	98,2	93,0	87,6
7 °C	Pf	kW	502,3	477,0	450,1	421,6	392,5	360,9	592,1	565,2	535,8	504,3	472,1	437,3
	Pa	kW	95,9	104,1	114,0	125,8	139,8	156,3	100,4	110,7	122,1	134,8	149,1	165,3
	qw	m ³ /h	86,18	81,84	77,24	72,34	67,34	61,92	101,60	96,97	91,94	86,53	81,01	75,03
	dpw	kPa	87,9	80,1	72,2	64,1	56,4	48,5	132,6	120,8	108,5	96,2	84,3	72,3
	Pr	kW	598,2	581,1	564,1	547,4	532,3	517,2	641,6	622,9	604,4	586,4	570,2	554,1
	qwr	m ³ /h	102,89	99,95	97,03	94,15	91,56	88,95	119,91	117,26	114,38	111,33	110,39	105,35
	dpwr	kPa	109,2	103,1	97,1	91,4	86,5	81,6	121,0	115,2	109,1	103,0	97,3	91,6
8 °C	Pf	kW	517,3	491,3	463,8	434,4	404,6	372,1	609,9	582,1	552,0	519,5	486,4	450,6
	Pa	kW	96,1	104,3	114,1	125,9	140,0	156,5	100,5	110,8	122,2	134,9	149,2	165,4
	qw	m ³ /h	88,81	84,35	79,62	74,58	69,46	63,89	104,71	99,94	94,76	89,19	83,51	77,36
	dpw	kPa	92,8	84,6	76,2	67,8	59,6	51,3	140,8	128,3	115,3	102,2	89,6	76,9
	Pr	kW	613,4	595,6	577,9	560,4	544,5	528,6	657,7	638,2	619,0	600,1	583,2	566,3
	qwr	m ³ /h	105,51	102,45	99,40	96,39	93,66	90,92	123,00	120,23	117,21	114,00	112,95	107,70
	dpwr	kPa	114,8	108,3	101,9	95,8	90,5	85,3	127,3	121,1	114,6	108,0	101,9	95,7
9 °C	Pf	kW	532,7	506,0	477,7	447,6	416,9	383,7	628,1	599,5	568,5	535,1	501,1	464,3
	Pa	kW	96,3	104,5	114,3	126,1	140,1	156,6	100,7	110,9	122,3	135,0	149,3	165,4
	qw	m ³ /h	91,50	86,93	82,06	76,89	71,62	65,91	107,89	102,98	97,65	91,92	86,08	79,75
	dpw	kPa	97,9	89,3	80,5	71,6	63,0	54,2	149,5	136,2	122,5	108,5	95,2	81,7
	Pr	kW	629,0	610,5	592,0	573,7	557,1	540,3	674,1	653,9	633,8	614,2	596,4	578,7
	qwr	m ³ /h	108,19	105,00	101,82	98,68	95,82	92,93	126,17	123,26	120,10	116,74	115,57	110,10
	dpwr	kPa	120,7	113,7	107,0	100,4	94,7	89,1	133,9	127,3	120,3	113,2	106,7	100,0
10 °C	Pf	kW	548,4	521,0	491,9	461,0	429,6	395,5	646,6	617,3	585,4	551,1	516,1	478,3
	Pa	kW	96,5	104,6	114,5	126,3	140,3	156,8	100,8	111,0	122,4	135,1	149,4	165,5
	qw	m ³ /h	94,36	89,65	84,64	79,33	73,92	68,06	111,26	106,21	100,72	94,82	88,80	82,29
	dpw	kPa	103,5	94,4	85,1	75,7	66,7	57,5	159,0	144,9	130,3	115,5	101,3	87,0
	Pr	kW	644,9	625,7	606,4	587,3	569,9	552,3	690,8	669,9	649,0	628,6	610,0	591,5
	qwr	m ³ /h	110,93	107,62	104,30	101,02	98,02	95,00	129,41	126,37	123,06	119,54	118,26	112,56
	dpwr	kPa	126,9	119,5	112,2	105,3	99,1	93,1	140,9	133,8	126,3	118,7	111,7	104,5
11 °C	Pf	kW	564,5	536,4	506,5	474,8	442,6	407,7	665,6	635,5	602,7	567,4	531,5	492,6
	Pa	kW	96,7	104,8	114,7	126,4	140,5	157,0	100,9	111,2	122,5	135,2	149,5	165,6
	qw	m ³ /h	97,29	92,45	87,30	81,83	76,28	70,26	114,72	109,52	103,87	97,79	91,60	84,90
	dpw	kPa	109,3	99,7	90,0	80,1	70,6	60,9	169,0	154,0	138,5	122,8	107,8	92,6
	Pr	kW	661,2	641,2	621,2	601,3	583,0	564,6	708,0	686,3	664,6	643,3	623,9	604,6
	qwr	m ³ /h	113,73	110,29	106,84	103,42	100,28	97,11	132,72	129,54	126,08	122,40	121,01	115,09
	dpwr	kPa	133,4	125,5	117,8	110,3	103,7	97,3	148,2	140,6	132,6	124,5	116,9	109,3

Twout = Outlet water temperature (°C); Pf = Cooling capacity (kW); Pr = Recovery mode heating capacity (kW); Pa = Compressors heating capacity (kW); qw = Water flow (m³/h); dpw = Pressure drop (kPa); qwr = Recovery heat exchanger water flow (m³/h); dpwr = Recovery heat exchanger pressure drop (kPa). Water flow and pressure drop on heat exchanger calculated with ΔT= 5 °C.

PERFORMANCE IN HEAT RECOVERY MODE

CMAA SL

Twout	140							
	Heat recovery water out							
		30	35	40	45	50	55	
6 °C	Pf	kW	604,2	576,7	546,5	513,8	480,1	443,4
	Pa	kW	108,2	119,2	131,4	145,0	160,4	177,8
	qw	m ³ /h	103,60	98,89	93,71	88,11	82,34	76,04
	dpw	kPa	117,8	107,3	96,4	85,2	74,4	63,5
	Pr	kW	659,6	640,5	621,7	603,6	587,7	571,9
	qwr	m ³ /h	123,34	120,74	117,86	114,76	113,81	108,62
	dpwr	kPa	114,9	109,6	104,0	98,2	92,9	87,3
	7 °C	Pf	kW	622,5	594,2	563,1	529,5	494,9
Pa		kW	108,3	119,4	131,5	145,1	160,4	177,9
qw		m ³ /h	106,80	101,95	96,62	90,85	84,91	78,43
dpw		kPa	125,2	114,1	102,5	90,6	79,1	67,5
Pr		kW	675,8	656,0	636,5	617,6	600,9	584,3
qwr		m ³ /h	126,52	123,80	120,77	117,51	116,44	111,02
dpwr		kPa	120,9	115,2	109,2	103,0	97,2	91,2
8 °C		Pf	kW	641,2	612,1	580,2	545,6	509,9
	Pa	kW	108,4	119,5	131,6	145,2	160,5	177,9
	qw	m ³ /h	110,08	105,09	99,60	93,66	87,55	80,88
	dpw	kPa	133,0	121,2	108,9	96,3	84,1	71,8
	Pr	kW	692,4	671,8	651,6	631,9	614,4	597,1
	qwr	m ³ /h	129,78	126,93	123,75	120,33	119,14	113,48
	dpwr	kPa	127,2	121,1	114,7	108,0	101,7	95,3
	9 °C	Pf	kW	660,3	630,4	597,6	562,0	525,4
Pa		kW	108,5	119,6	131,7	145,3	160,6	178,0
qw		m ³ /h	113,43	108,30	102,66	96,55	90,25	83,39
dpw		kPa	141,2	128,7	115,7	102,3	89,4	76,3
Pr		kW	709,4	688,0	667,0	646,5	628,2	610,1
qwr		m ³ /h	133,11	130,13	126,81	123,22	121,90	116,00
dpwr		kPa	133,8	127,3	120,4	113,2	106,5	99,6
10 °C		Pf	kW	679,9	649,2	615,5	578,9	541,2
	Pa	kW	108,6	119,7	131,8	145,4	160,7	178,1
	qw	m ³ /h	116,99	111,71	105,90	99,60	93,12	86,06
	dpw	kPa	150,2	136,9	123,1	108,9	95,2	81,3
	Pr	kW	726,8	704,6	682,8	661,4	642,4	623,4
	qwr	m ³ /h	136,52	133,40	129,93	126,17	124,73	118,59
	dpwr	kPa	140,7	133,8	126,4	118,7	111,5	104,1
	11 °C	Pf	kW	700,0	668,4	633,7	596,1	557,4
Pa		kW	108,6	119,8	132,0	145,5	160,8	178,1
qw		m ³ /h	120,64	115,20	109,22	102,74	96,07	88,80
dpw		kPa	159,7	145,6	130,9	115,8	101,3	86,5
Pr		kW	744,6	721,6	698,9	676,8	656,9	637,1
qwr		m ³ /h	140,00	136,75	133,13	129,20	127,63	121,24
dpwr		kPa	148,0	140,6	132,7	124,5	116,8	108,8

Twout = Outlet water temperature (°C); Pf = Cooling capacity (kW); Pr = Recovery mode heating capacity (kW); Pa = Compressors heating capacity (kW); qw = Water flow (m³/h); dpw = Pressure drop (kPa); qwr = Recovery heat exchanger water flow (m³/h); dpwr = Recovery heat exchanger pressure drop (kPa). Water flow and pressure drop on heat exchanger calculated with $\Delta T = 5$ °C.

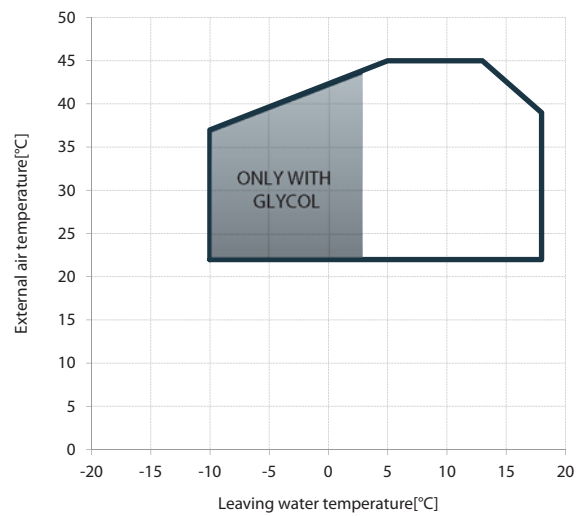
Operating range

Version	Operating mode	Ta		Tw out	
		Min	Max	Min	Max
std - SL	Cooling	22	45	-10	18
LN	Cooling	22	43	-10	18
std - LN - SL	Heating	-20	19	22	60

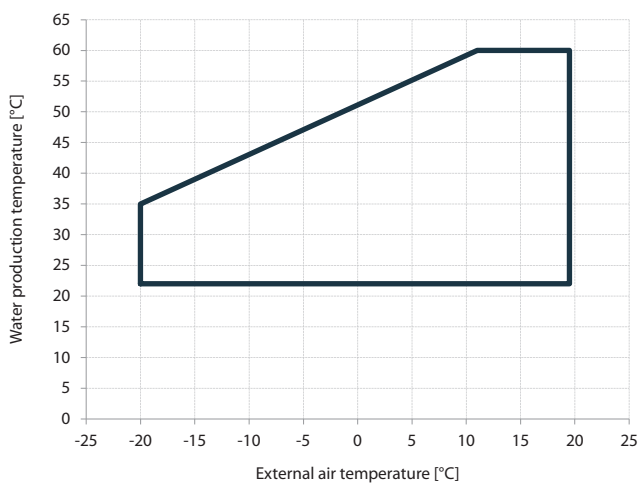
Ta = Outdoor air temperature (°C)

Tw out = Leaving water temperature from the heat exchanger (°C)

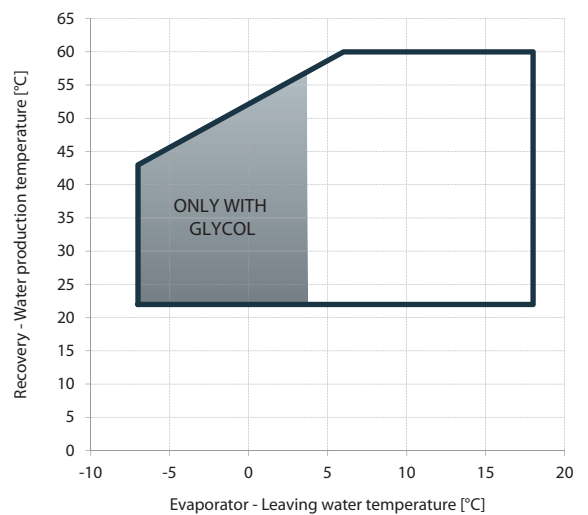
CHILLER OPERATING MODE



HEATING OPERATING MODE



RECOVERY OPERATING MODE



Scaling correction table

ETHYLENE GLYCOL CORRECTION TABLE

% Ethylene glycol weight		5%	10%	15%	20%	25%	30%	35%	40%
Freezing temperature	°C	-2	-3,9	-6,5	-8,9	-11,8	-15,6	-19	-23,4
Suggested security limit	°C	3	1	-1	-4	-6	-10	-14	-19
Cooling capacity coefficient	-	0,995	0,99	0,985	0,981	0,977	0,974	0,971	0,968
Power input coefficient	-	0,997	0,993	0,99	0,988	0,986	0,984	0,982	0,981
Flow rate coefficient	-	1,003	1,01	1,02	1,033	1,05	1,072	1,095	1,124
Pressure drop coefficient	-	1,029	1,06	1,09	1,118	1,149	1,182	1,211	1,243

In order to calculate performance with glycolated solutions multiply main sizes by respective coefficients.

ETHYLENE GLYCOL PERCENTAGE DEPENDING ON FREEZING TEMPERATURE

% glycol according to the freezing temperature						
Freezing temperature	0°C	-5°C	-10°C	-15°C	-20°C	-25°C
% Ethylene glycol	5%	12%	20%	28%	35%	40%
Flow rate coefficient	1,02	1,033	1,05	1,072	1,095	1,124

In order to calculate performance with glycolated solutions multiply main sizes by respective coefficients.

FOULING FACTOR CORRECTION TABLE

Fouling Factor F.F. [m ² C*W]	Plant side cold heat exchanger			Plant side hot heat exchanger		
	A1	B1	Tmin	A2	B2	Tmax
0	1	1	0	1	1	0
1,80E-05	1	1	0	1	1	0
4,40E-05	1	1	0	0,99	1,03	1
8,80E-05	0,96	0,99	0,7	0,98	1,04	1,5
1,32E-04	0,94	0,99	1	0,96	1,05	2,3
1,72E-04	0,93	0,98	1,5	0,95	1,06	3

A factor Capacity correction factor

B factor Compressor power input correction factor

Tmin Minimum evaporator outlet water temperature increase

T max Maximum condenser outlet water temperature decrease

Hydraulic data

WATER FLOW AND PRESSURE DROP

CMAA	PLANT SIDE COLD HEAT EXCHANGER				PLANT SIDE HOT HEAT EXCHANGER			
	V [m ³]	K	Q min [m ³ /h]	Q max [m ³ /h]	V [m ³]	K	Q min [m ³ /h]	Q max [m ³ /h]
012	0,4	1058,1	4,8	12,8	1,2	843,3	5,6	14,8
015	0,5	559,9	5,9	15,8	1,4	460,0	6,7	17,9
018	0,6	499,7	6,8	18,2	1,6	403,9	7,9	21,0
023	0,7	338,3	8,7	23,1	2,0	268,7	10,0	26,6
030	0,9	184,0	11,4	30,4	2,6	149,0	12,8	34,0
033	1,0	121,9	12,7	33,8	3,1	98,4	15,1	40,2
037	1,1	113,2	14,1	37,7	3,4	90,2	16,8	44,8
044	1,3	62,0	16,5	44,1	4,0	50,8	19,7	52,5
047	1,4	58,4	17,8	47,5	4,3	47,9	21,2	56,5
057	1,7	50,1	21,6	57,7	5,1	41,5	25,3	67,6
070	2,1	34,2	26,8	71,5	6,1	28,4	30,0	80,1
087	2,5	22,6	33,1	88,2	7,5	19,1	37,3	99,4
097	2,8	21,3	36,6	97,5	8,3	17,6	41,2	109,8
102	3,0	17,2	38,9	103,7	8,8	14,5	43,8	116,8
120	3,5	12,3	45,3	120,9	10,2	10,4	50,7	135,3
130	4,0	12,9	49,5	131,9	13,0	12,9	57,0	151,9
140	4,2	11,0	52,1	139,0	13,7	11,1	59,9	159,7
012 LN	0,4	1058,1	4,6	12,3	1,2	843,3	5,6	14,9
015 LN	0,5	559,9	5,7	15,3	1,4	460,0	6,8	18,0
018 LN	0,6	499,7	6,5	17,4	1,6	403,9	7,9	21,2
023 LN	0,7	338,3	8,4	22,4	2,0	268,7	10,1	26,8
030 LN	0,9	184,0	11,0	29,2	2,6	149,0	12,9	34,3
033 LN	1,0	121,9	12,2	32,6	3,1	98,4	15,2	40,6
037 LN	1,1	113,2	13,5	36,1	3,4	90,2	17,0	45,2
044 LN	1,3	62,0	16,0	42,6	4,0	50,8	19,9	53,0
047 LN	1,4	58,4	17,2	45,8	4,3	47,9	21,4	56,9
057 LN	1,7	50,1	20,8	55,4	5,1	41,5	25,6	68,1
070 LN	2,1	34,2	25,7	68,6	6,1	28,4	30,3	80,7
087 LN	2,5	22,6	31,4	83,7	7,5	19,1	37,6	100,2
097 LN	2,8	21,3	35,0	93,2	8,3	17,6	41,5	110,7
102 LN	3,0	17,2	37,0	98,8	8,8	14,5	44,2	117,8
120 LN	3,5	12,3	43,3	115,4	10,2	10,4	51,2	136,4
130 LN	3,9	12,9	48,2	128,4	13,1	12,8	57,4	153,1
140 LN	4,1	11,0	50,7	135,3	13,8	11,1	60,4	161,1
012 SL	0,4	1058,1	4,8	12,7	1,2	843,3	5,6	15,0
015 SL	0,5	559,9	5,9	15,7	1,4	460,0	6,8	18,1
018 SL	0,6	499,7	6,8	18,1	1,6	403,9	8,0	21,3
023 SL	0,7	338,3	8,6	23,0	2,0	268,7	10,1	27,0
030 SL	0,9	184,0	11,3	30,2	2,6	149,0	12,9	34,5
033 SL	1,0	121,9	12,6	33,5	3,1	98,4	15,3	40,8
037 SL	1,1	113,2	14,0	37,4	3,4	90,2	17,0	45,5
044 SL	1,3	62,0	16,4	43,8	4,0	50,8	20,0	53,3
047 SL	1,4	58,4	17,7	47,2	4,3	47,9	21,5	57,3
057 SL	1,7	50,1	21,5	57,3	5,1	41,5	25,7	68,5
070 SL	2,1	34,2	26,6	71,0	6,1	28,4	30,4	81,2
087 SL	2,5	22,6	32,8	87,5	7,5	19,1	37,8	100,8
097 SL	2,8	21,3	36,3	96,8	8,3	17,6	41,7	111,3
102 SL	3,0	17,2	38,6	103,0	8,8	14,5	44,4	118,4
120 SL	3,5	12,3	45,0	120,0	10,2	10,4	51,4	137,2
130 SL	3,9	12,9	49,1	131,0	13,2	12,9	57,7	153,9
140 SL	4,1	11,0	51,7	137,9	13,9	11,1	60,7	162,0

LEGENDA:

V: recommended water content of the plant (cold side and hot side) with dT 5°C on the heat exchanger

Q min: minimum water flow to the heat exchanger

Q max: maximum water flow to the heat exchanger

$$dpw = K \cdot Q^2 / 1000$$

$$Q = 0,86 P / \Delta T$$

P: Heating or cooling capacity [kW]

Δt: ΔT at the heat exchanger (min = 3, max = 8) [°C]

dpw: Pressure drop [kPa]

HYDRONIC GROUP

The units of the CMAA family are also available in multiple hydraulic versions, characterized by complete kits of all major hydraulic components for an easier installation, with reduced time, cost and space.

The wide range of hydraulic versions available make the unit suitable for any type of installation.

HYDRAULIC VERSIONS

2 pumps low head pressure 150 kPa

2 pumps medium head pressure 250 kPa

2 pumps high head pressure 450 kPa

HYDRONIC KIT

Centrifugal pumps with 2 or 4 poles, axial suction bowls and radial delivery, available in low, medium or high head pressure.

Pumps with cast iron body and impeller entirely welded using laser technology. Mechanical seal with ceramic components, coal and EPDM elastomers. Three phase electric motor with IP55 protection and insulation class F, suitable for continuous service.

Series motors with higher efficiency IE2 technology.

- Differential pressure switch on exchanger.
- Service valve.
- Taps on pumps suction / delivery which allow the replacement of a damaged pump eliminating the plant shutdown differently from other types of common use.
- Check valve.
- Relief valve.
- Discharge valve.

The stand-by pump accessory is also available, including 2 additional pumps (one for the cold circuit and the other for the hot circuit) in stand-by mode to the first, equipped with the automatic changeover including also the pressure switch for the intervention of the second pump.. The pumps operate with the balance of the related working hours. In case of failure of one pump the controller in automatic switches on the additional pump. The control panel is equipped with fuses and contactor with thermal protection.

Sizes CMAA 130 and CMAA 140 are equipped with vertical pumps. In case of optional stand-by pumps, twin pumps will be installed.

HYDRONIC ACCESORIES ON REQUEST

- "Y" water strainer (sold separately), consists of body and stainless steel mesh, with replaceable filter through the inspection cap.
- Automatic water filling (sold separately).
- Stand-by pump for air conditioning circuit + stand-by pump for heating circuit, 150 kPa.
- Stand-by pump for air conditioning circuit + stand-by pump for heating circuit, 250 kPa.
- Stand-by pump for air conditioning circuit + stand-by pump for heating circuit, 450 kPa.

Hydraulic data

LOW HEAD PRESSURE PUMP (150kPa)

CHILLER MODE

CMAA	Pf	qw	dpw	Ref. curve	Expansion vessel	F.L.I.	F.L.A.	Hp	Hu
	[kW]	[m ³ /h]	[kPa]						
012	44,60	7,7	62	A	24	1,1	3,1	219,8	157,9
015	55,20	9,5	50	A	24	1,1	3,1	211,5	161,2
018	63,50	10,9	59	B	24	2,5	4,95	243,3	184,0
023	80,70	13,8	65	B	24	2,5	4,95	236,8	171,9
030	106,10	18,2	61	C	24	3	6,2	226,8	165,8
033	117,80	20,2	50	C	24	3	6,2	226,2	176,4
037	131,40	22,5	58	C	24	3	6,2	225,2	167,6
044	153,70	26,4	43	D	24	3	6,1	258,3	215,2
047	165,80	28,4	47	D	24	3	6,1	242,9	195,6
057	201,20	34,5	60	E	2 x 24	4	8,5	232,0	172,4
070	249,50	42,8	63	E	2 x 24	4	8,5	220,2	157,6
087	307,50	52,8	63	F	2 x 24	7,5	14,2	241,5	178,5
097	340,10	58,4	72	F	2 x 24	7,5	14,2	234,1	161,6
102	361,90	62,1	66	F	2 x 24	7,5	14,2	227,9	161,8
120	421,60	72,3	64	G	2 x 24	9	16,5	272,6	208,4
130	460,00	78,9	80	G2	2 x 24	11	22	303,4	223,4
140	485,00	83,2	76	G2	2 x 24	11	22	300,0	224,0

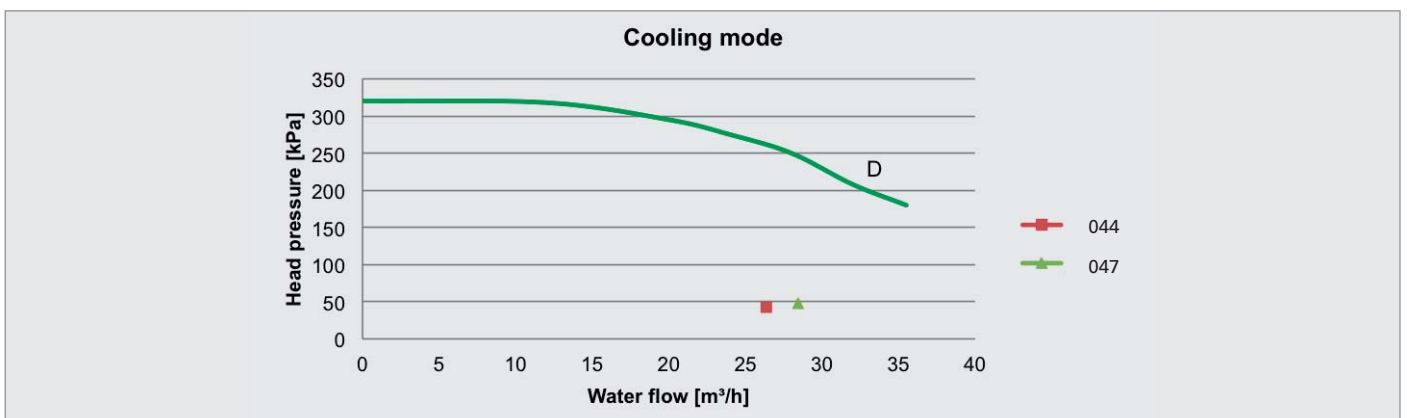
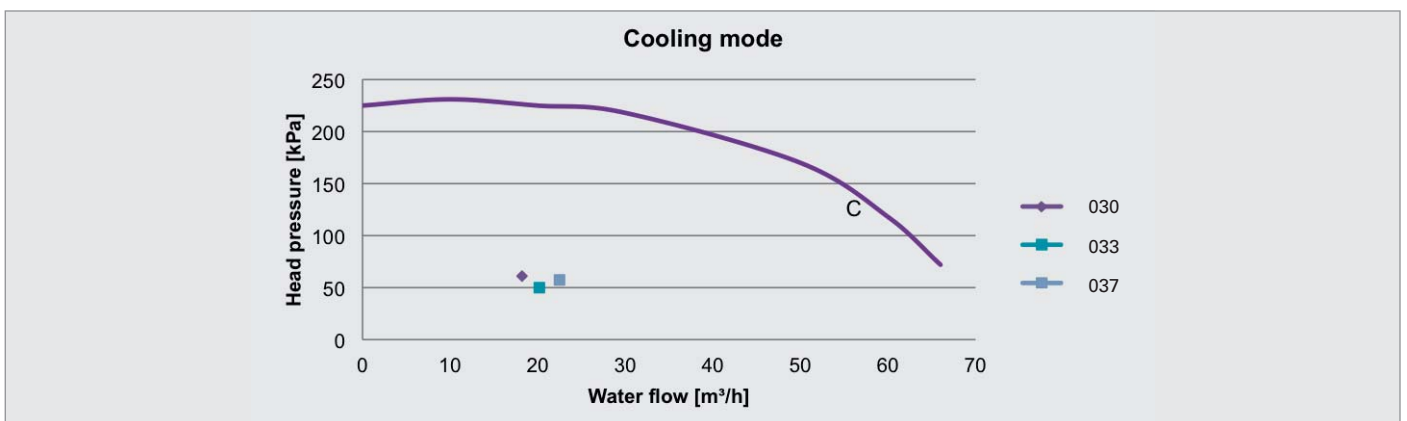
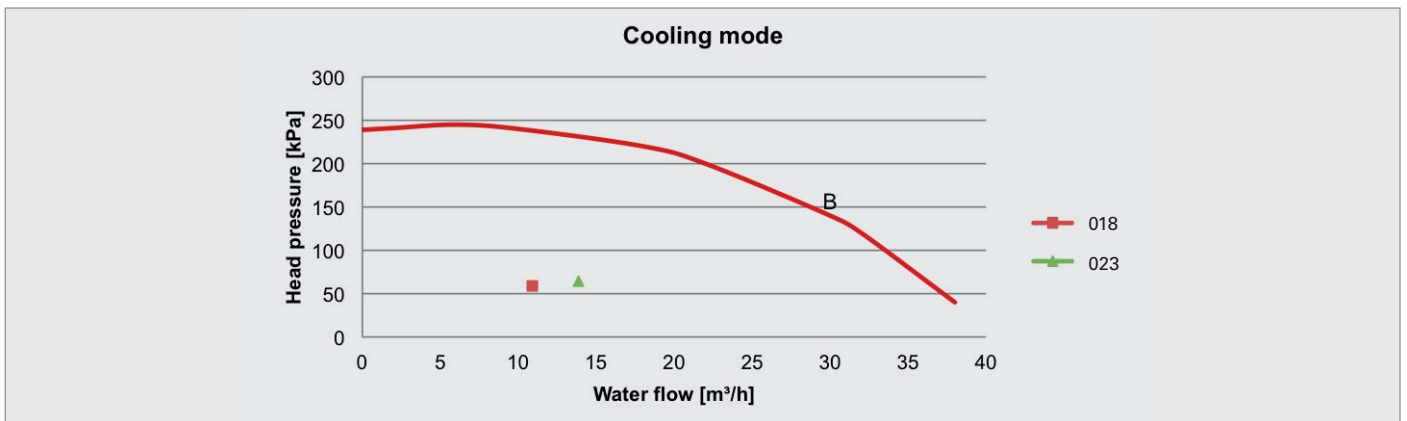
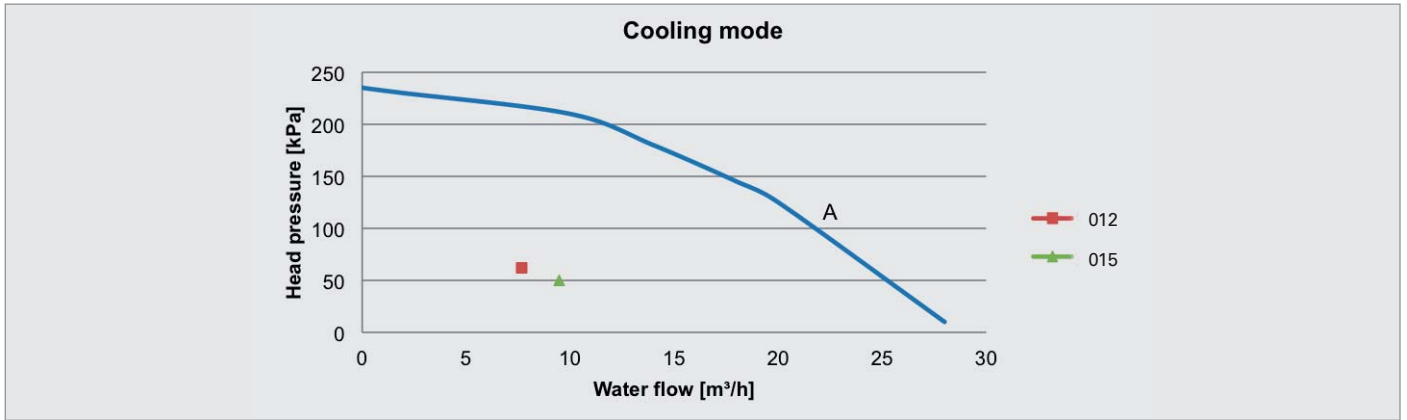
HEATING MODE

CMAA	Pf	qw	dpw	Ref. curve	Expansion vessel	F.L.I.	F.L.A.	Hp	Hu
	[kW]	[m ³ /h]	[kPa]						
012	51,70	8,9	84	A	24	1,1	3,1	214,4	130,7
015	62,30	10,7	64	A	24	1,1	3,1	204,6	140,3
018	73,30	12,6	79	B	24	2,5	4,95	240,0	160,6
023	92,80	16,0	86	B	24	2,5	4,95	229,8	143,6
030	118,70	20,4	77	C	24	3	6,2	226,1	149,4
033	140,40	24,1	71	C	24	3	6,2	224,2	153,1
037	156,40	26,9	82	C	24	3	6,2	222,1	140,2
044	183,20	31,5	62	D	24	3	6,1	216,6	155,0
047	197,00	33,9	67	D	24	3	6,1	193,3	126,2
057	235,70	40,5	82	E	2 x 24	4	8,5	223,9	141,6
070	279,30	48,0	79	E	2 x 24	4	8,5	210,2	131,3
087	346,60	59,6	80	F	2 x 24	7,5	14,2	232,1	151,6
097	383,00	65,9	92	F	2 x 24	7,5	14,2	220,7	128,5
102	407,40	70,1	84	F	2 x 24	7,5	14,2	211,5	127,3
120	472,00	81,2	81	G	2 x 24	9	16,5	256,5	175,7
130	530,00	92,3	110	G2	2 x 24	11	22	291,8	181,8
140	557,00	97,0	104	G2	2 x 24	11	22	287,9	183,9

Pf	Cooling capacity (kW)
qw	Water flow (m ³ /h)
dpw	Pressure drop (kPa)
F.L.I.	Full load electrical power
F.L.A.	Full load operating current
Hp	Pump head pressure
Hu	Available pressure

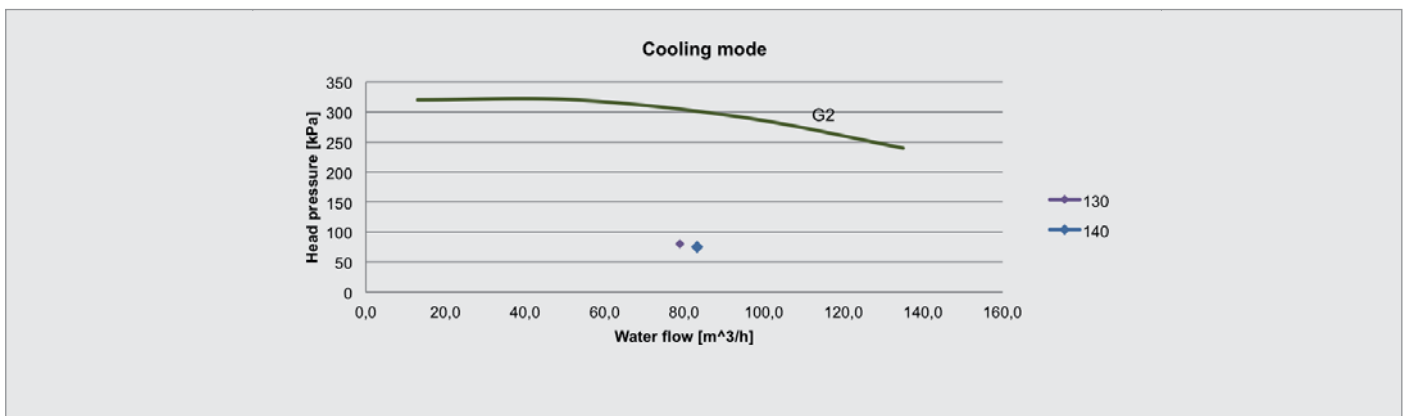
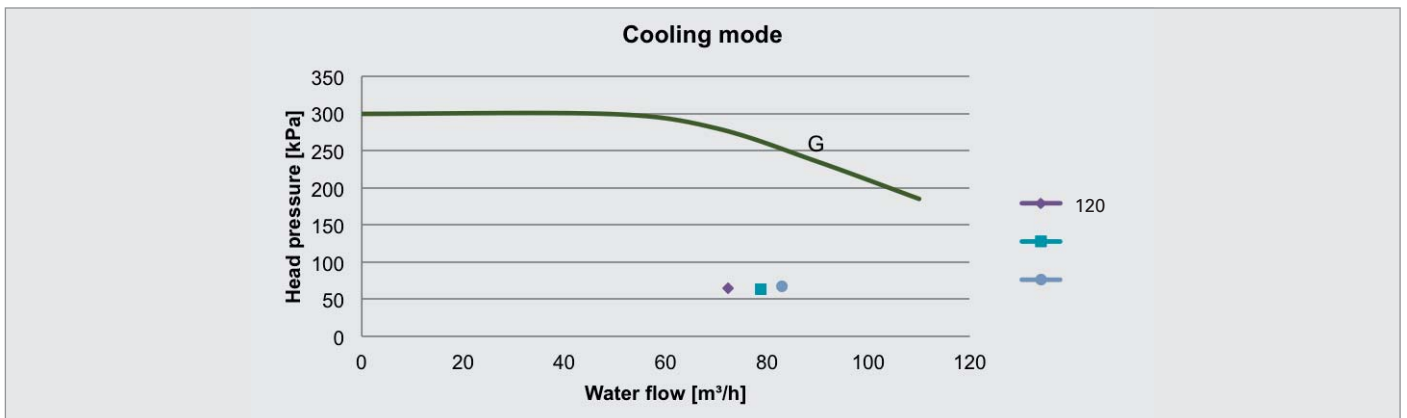
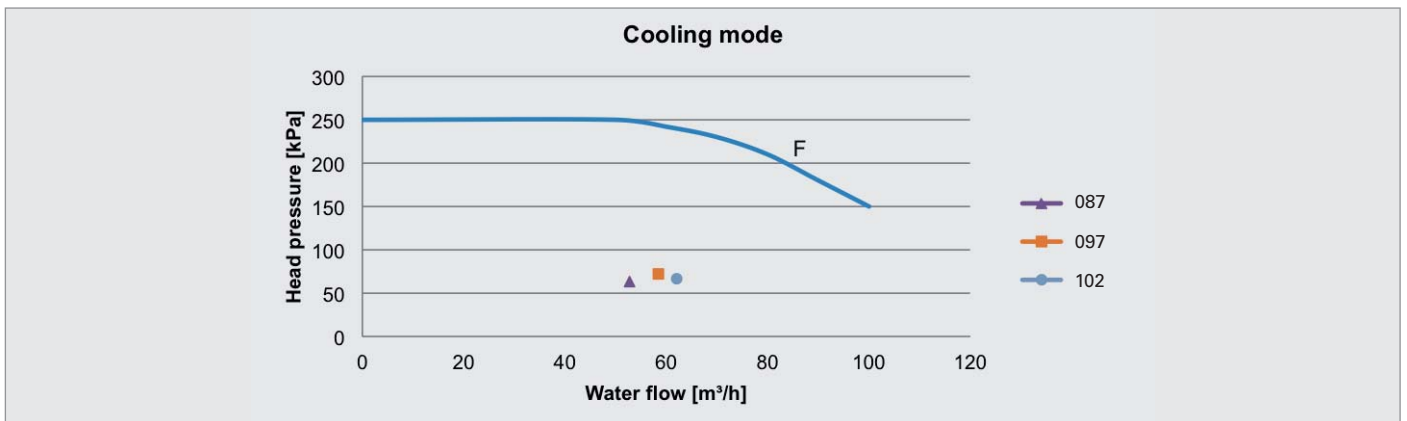
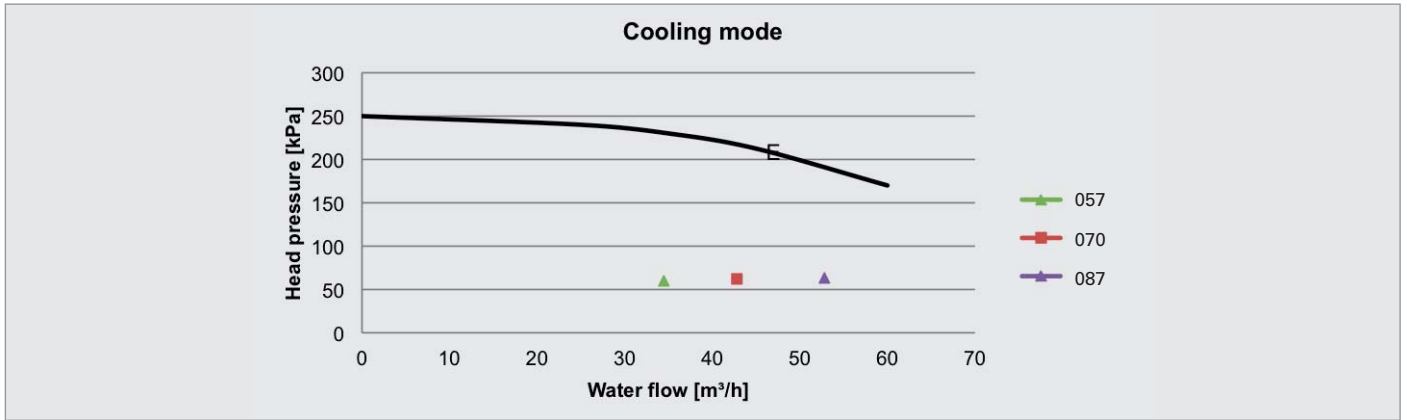
Hydraulic data

LOW HEAD PRESSURE PUMP (150kPa)

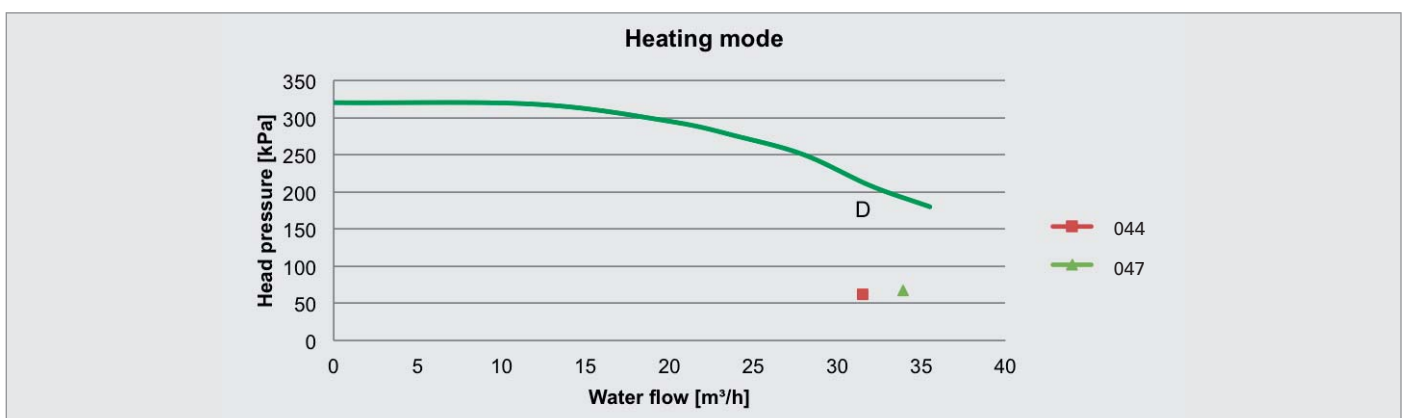
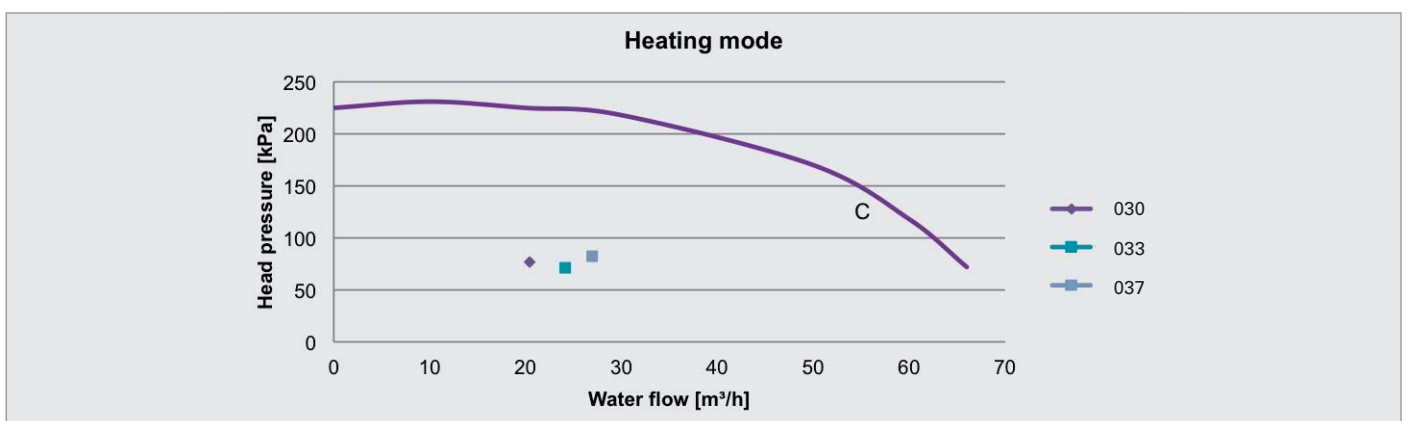
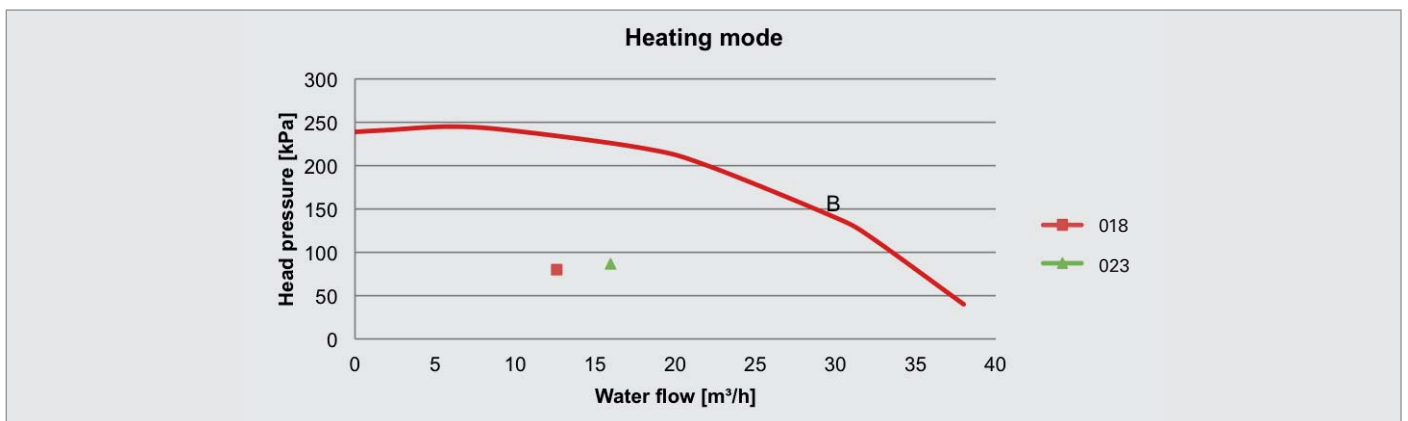
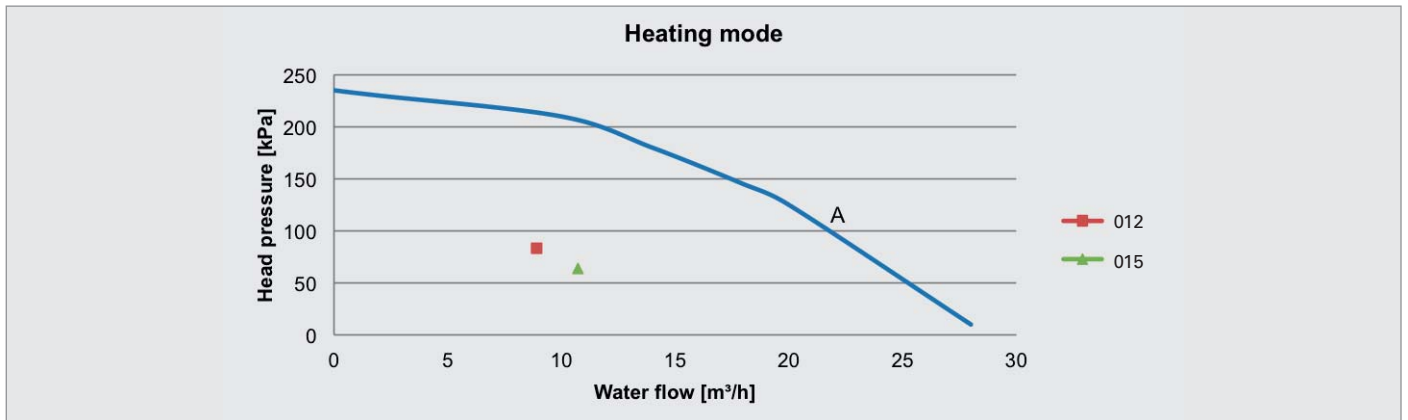


Hydraulic data

LOW HEAD PRESSURE PUMP (150kPa)

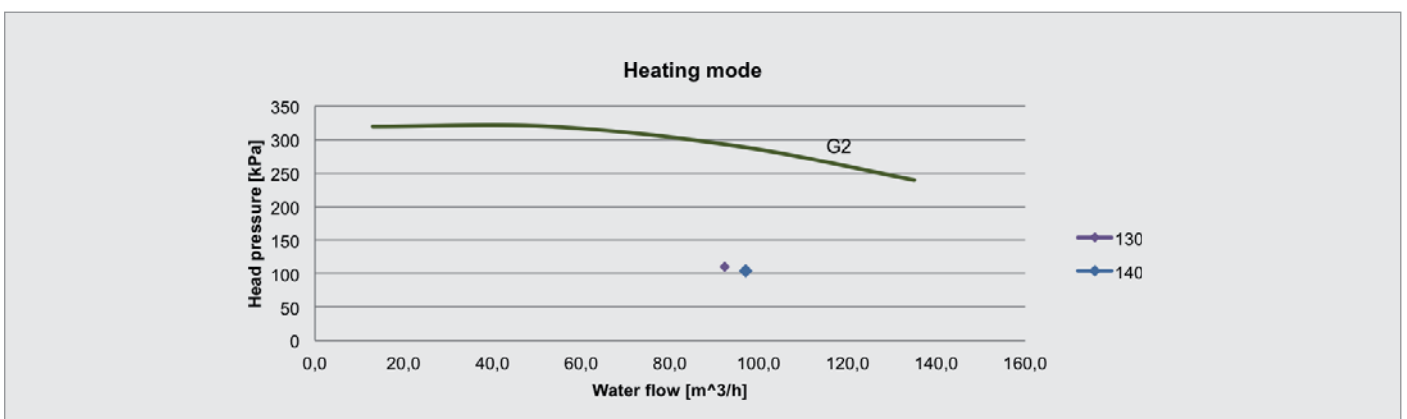
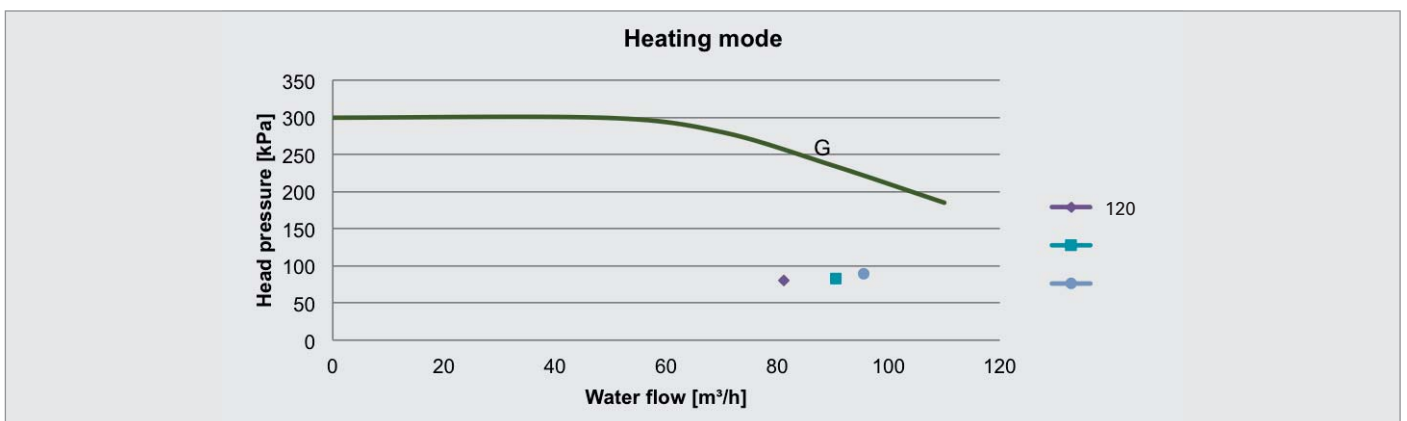
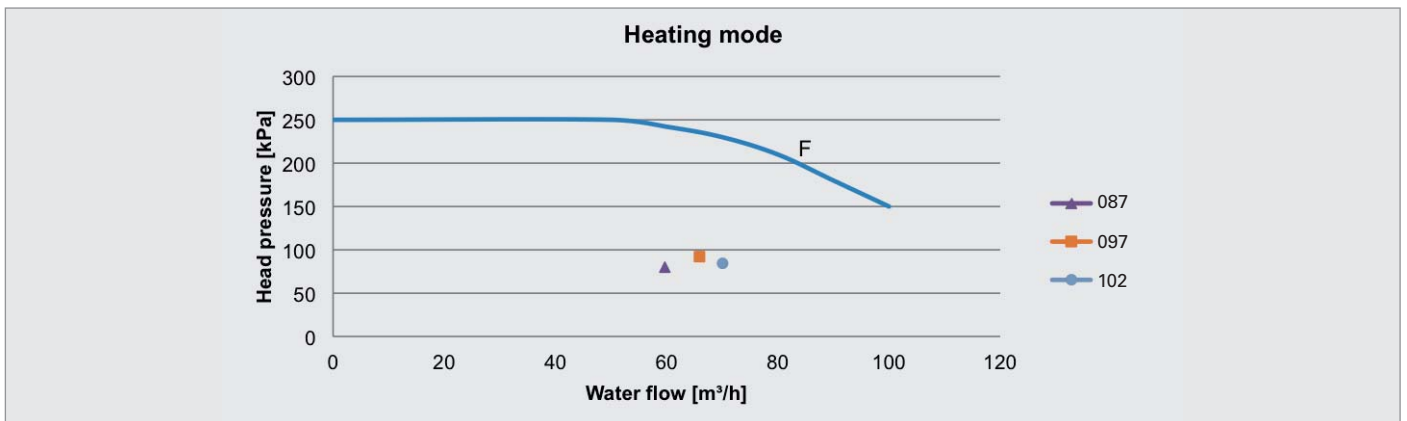
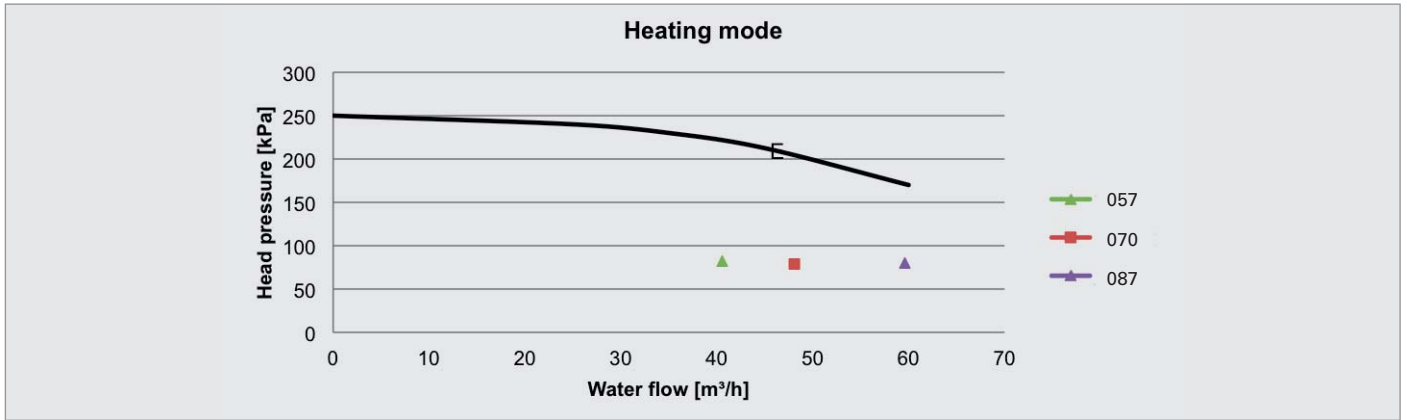


LOW HEAD PRESSURE PUMP (150kPa)



Hydraulic data

LOW HEAD PRESSURE PUMP (150kPa)



Hydraulic data

MEDIUM HEAD PRESSURE PUMP (250kPa)

CHILLER MODE

CMAA	Pf	qw	dpw	Ref. curve	Expansion vessel	F.L.I.	F.L.A.	Hp	Hu
	[kW]	[m ³ /h]	[kPa]						
012	44,60	7,7	62	H	24	2,2	5,1	352,3	290,4
015	55,20	9,5	50	H	24	2,2	5,1	345,4	295,1
018	63,50	10,9	59	H	24	2,2	5,1	339,1	279,8
023	80,70	13,8	65	I	24	4	8,5	353,6	288,7
030	106,10	18,2	61	I	24	4	8,5	349,8	288,8
033	117,80	20,2	50	I	24	4	8,5	348,9	299,1
037	131,40	22,5	58	I	24	4	8,5	348,1	290,5
044	153,70	26,4	43	I	24	4	8,5	344,0	300,9
047	165,80	28,4	47	I	24	4	8,5	337,0	289,7
057	201,20	34,5	60	L	2 x 24	5,5	9,9	294,8	235,1
070	249,50	42,8	63	K	2 x 24	7,5	14,2	364,8	302,2
087	307,50	52,8	63	K	2 x 24	7,5	14,2	325,3	262,3
097	340,10	58,4	72	M	2 x 24	11	19,3	351,2	278,8
102	361,90	62,1	66	M	2 x 24	11	19,3	349,0	282,9
120	421,60	72,3	64	M	2 x 24	11	19,3	339,6	275,4
130	460,00	78,9	80	M2	2 x 24	15	28,5	388,9	309,0
140	485,00	83,2	76	M2	2 x 24	15	28,5	385,6	310,0

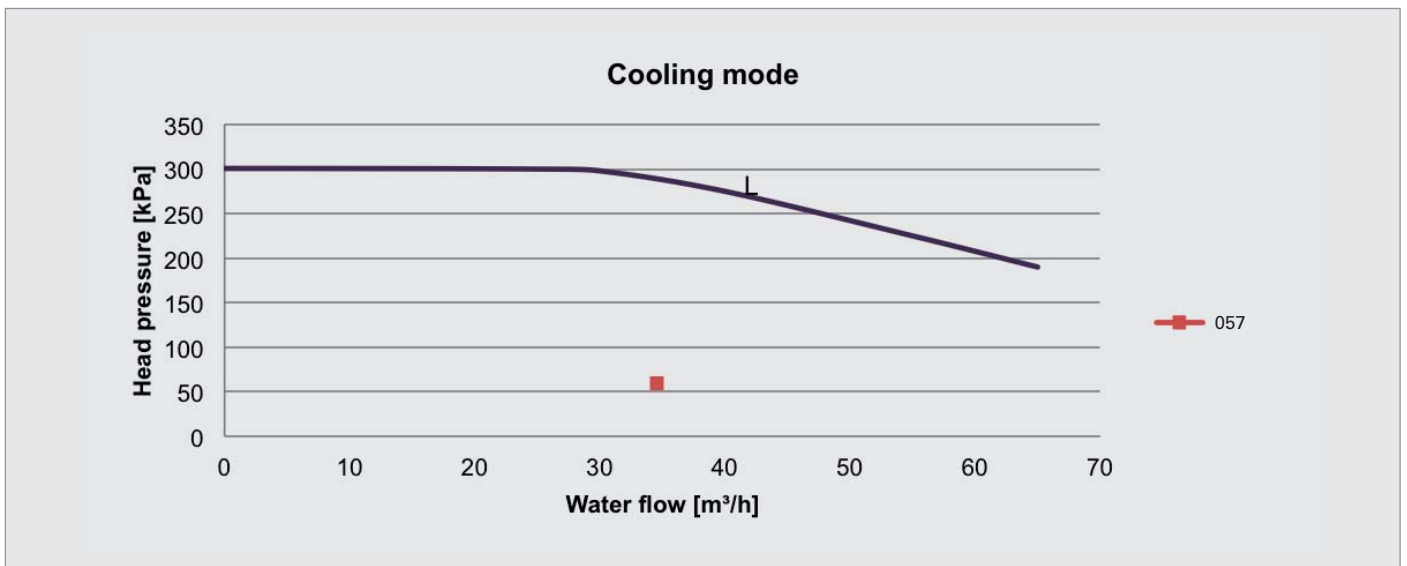
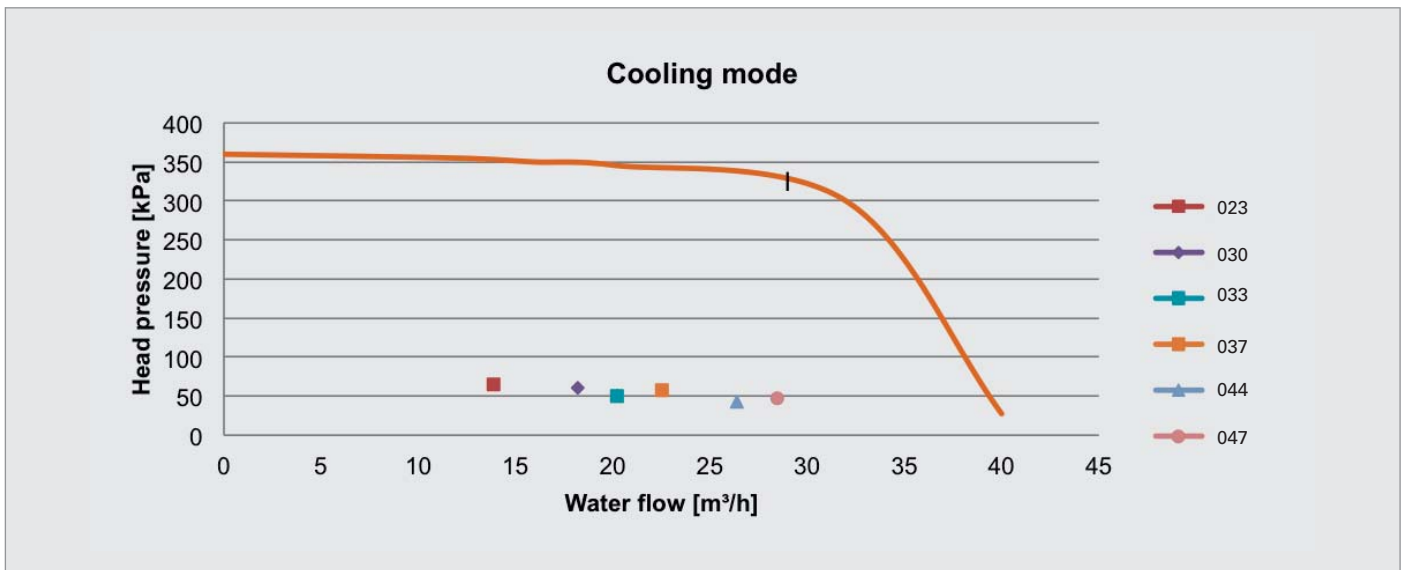
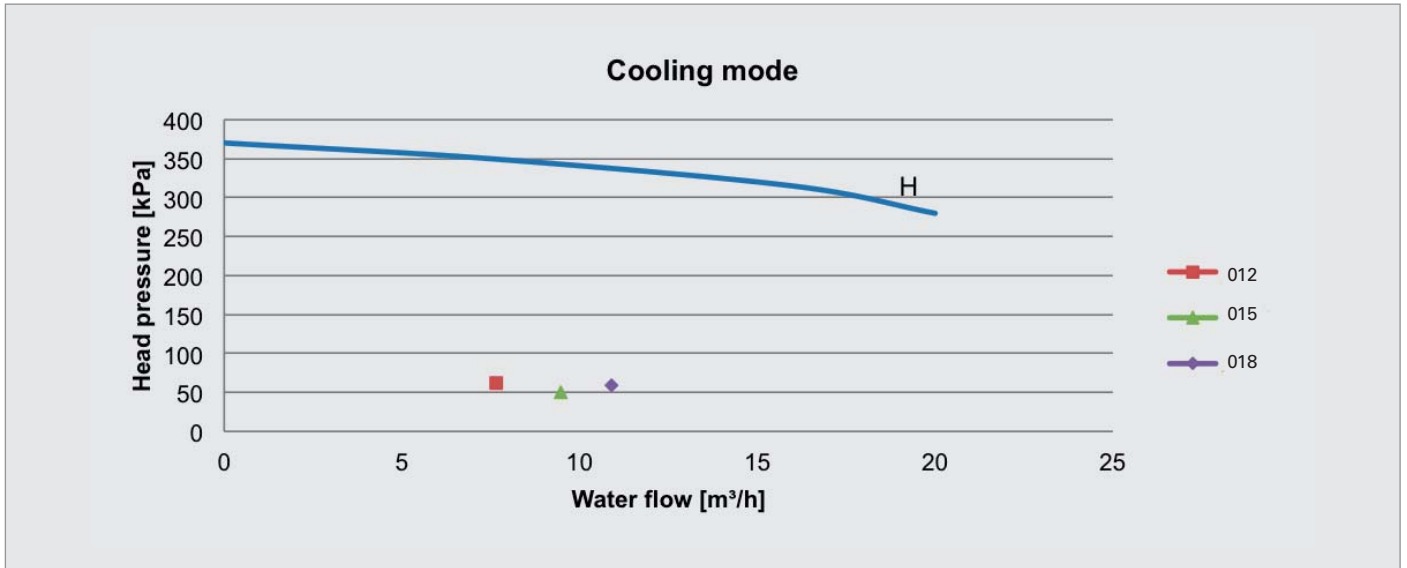
HEATING MODE

CMAA	Pf	qw	dpw	Ref. curve	Expansion vessel	F.L.I.	F.L.A.	Hp	Hu
	[kW]	[m ³ /h]	[kPa]						
012	51,70	8,9	84	H	24	2,2	5,1	347,7	264,0
015	62,30	10,7	64	H	24	2,2	5,1	339,9	275,6
018	73,30	12,6	79	H	24	2,2	5,1	330,6	251,2
023	92,80	16,0	86	I	24	4	8,5	351,5	265,3
030	118,70	20,4	77	I	24	4	8,5	348,8	272,1
033	140,40	24,1	71	I	24	4	8,5	347,2	276,1
037	156,40	26,9	82	I	24	4	8,5	342,7	260,8
044	183,20	31,5	62	I	24	4	8,5	312,5	250,9
047	197,00	33,9	67	I	24	4	8,5	273,8	206,7
057	235,70	40,5	82	L	2 x 24	5,5	9,9	285,4	203,1
070	279,30	48,0	79	K	2 x 24	7,5	14,2	345,9	267,1
087	346,60	59,6	80	K	2 x 24	7,5	14,2	289,9	209,4
097	383,00	65,9	92	M	2 x 24	11	19,3	346,1	253,8
102	407,40	70,1	84	M	2 x 24	11	19,3	342,1	257,9
120	472,00	81,2	81	M	2 x 24	11	19,3	326,8	246,0
130	530,00	92,3	110	M2	2 x 24	15	28,5	378,2	268,0
140	557,00	97,0	104	M2	2 x 24	15	28,5	373,6	270,0

Pf	Cooling capacity (kW)
qw	Water flow (m ³ /h)
dpw	Pressure drop (kPa)
F.L.I.	Full load electrical power
F.L.A.	Full load operating current
Hp	Pump head pressure
Hu	Available pressure

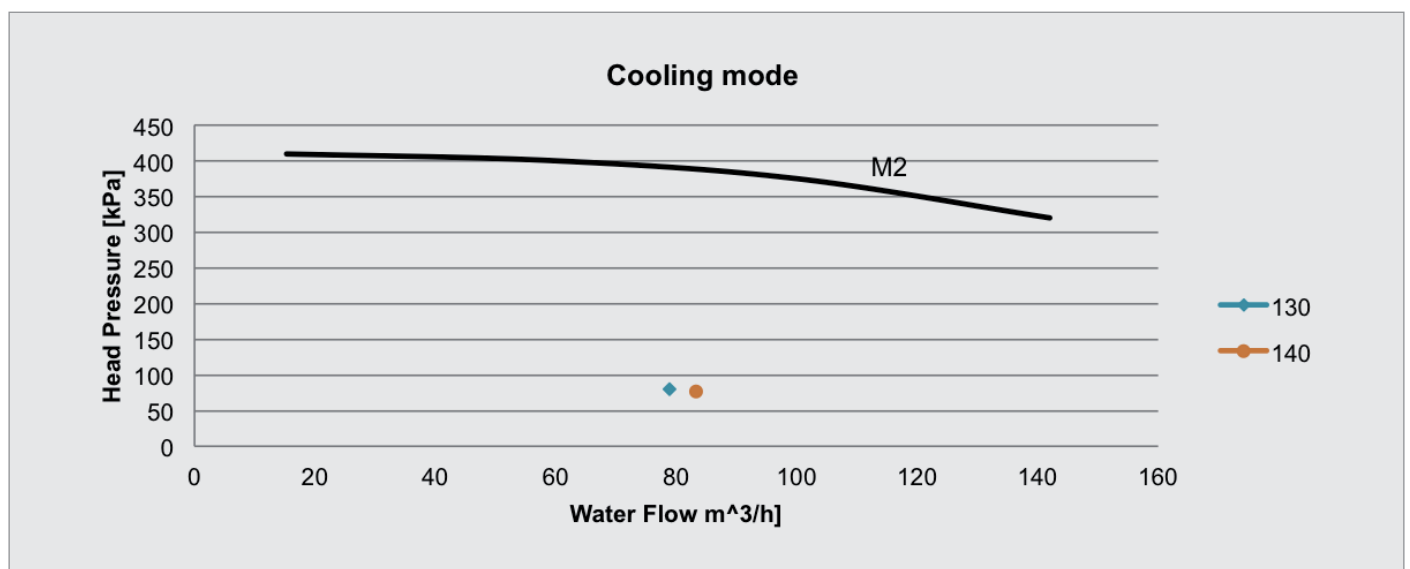
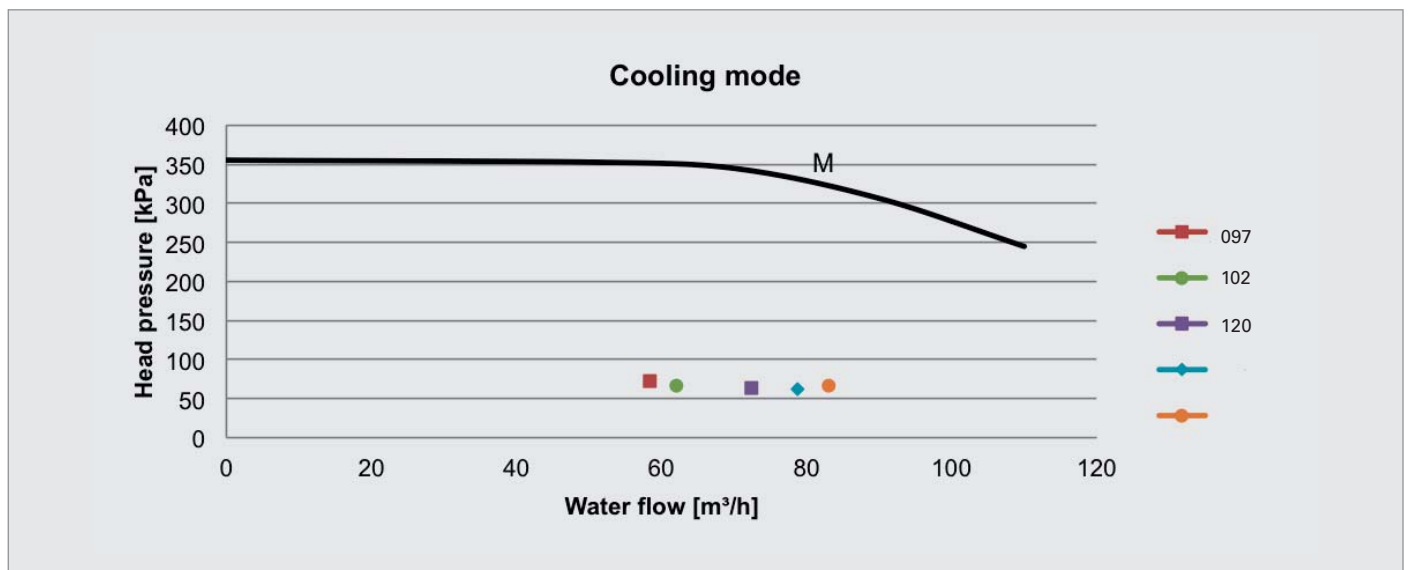
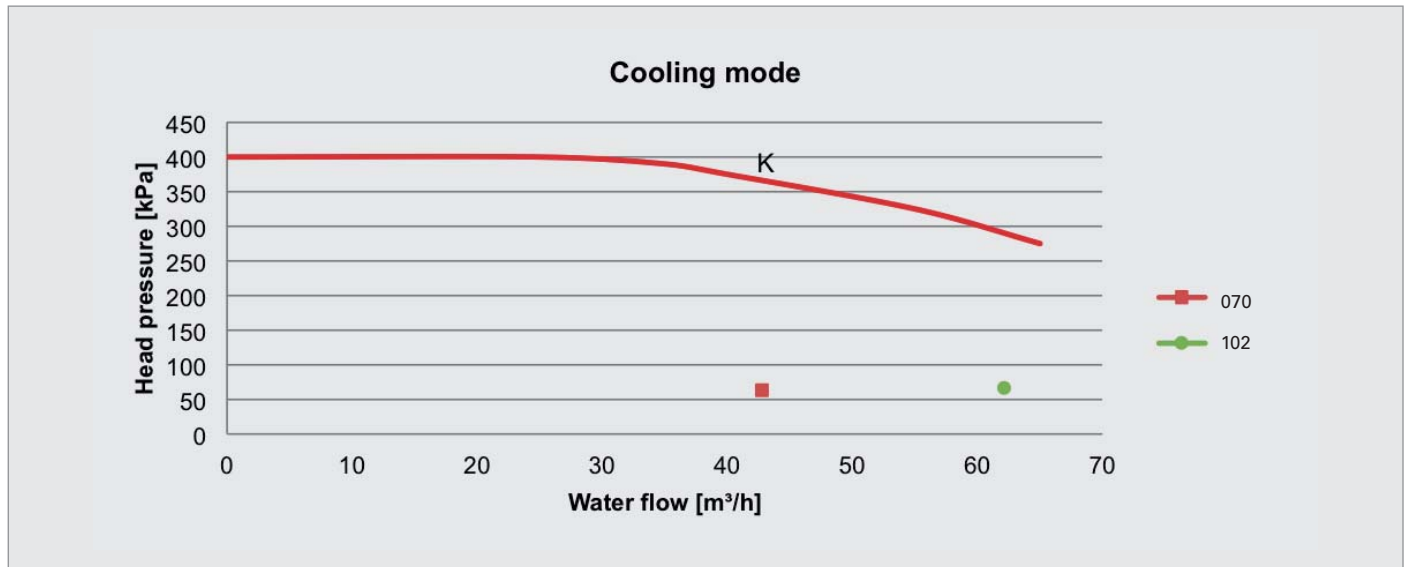
Hydraulic data

MEDIUM HEAD PRESSURE PUMP (250kPa)



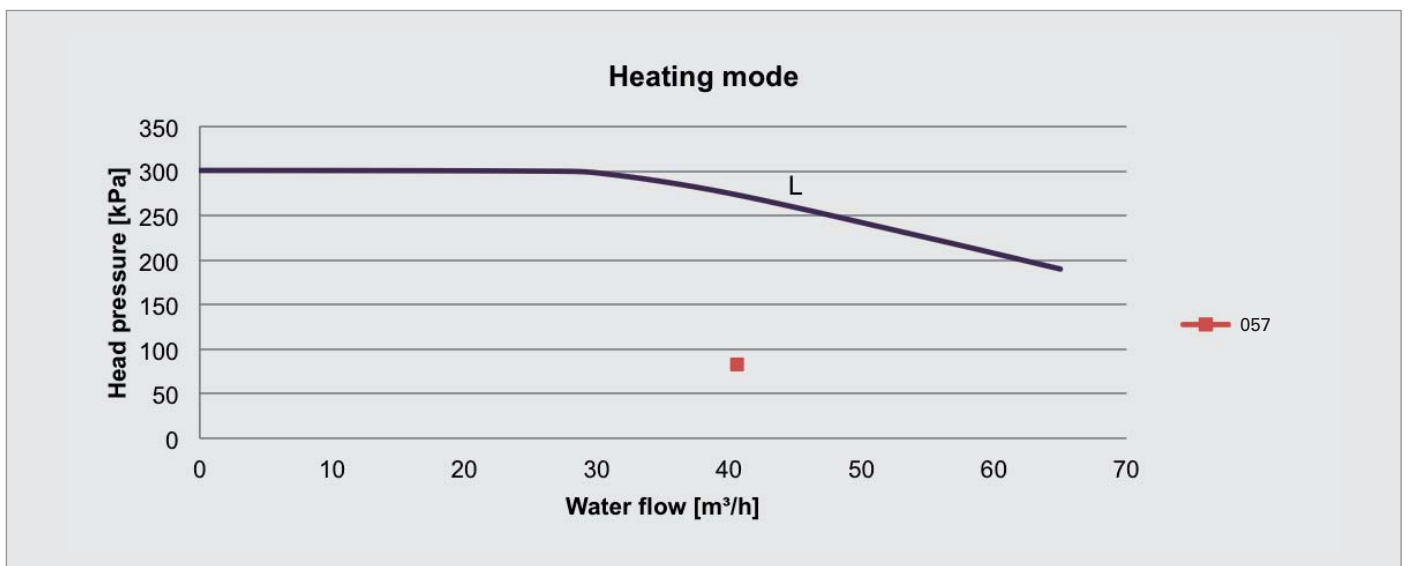
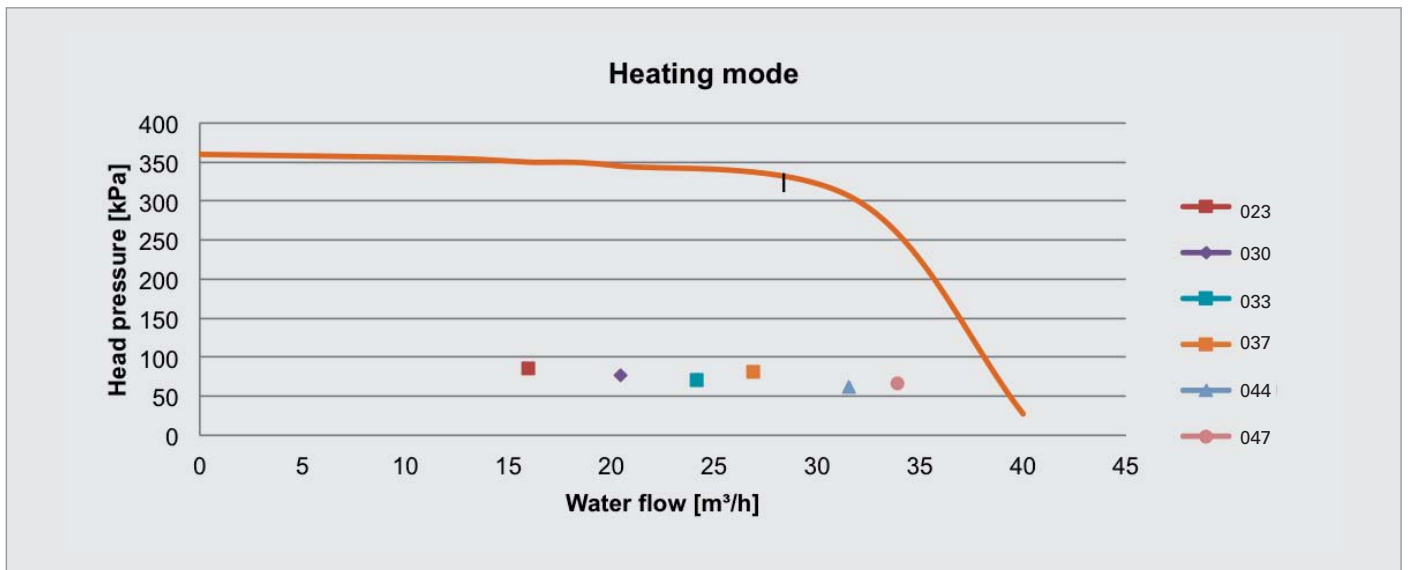
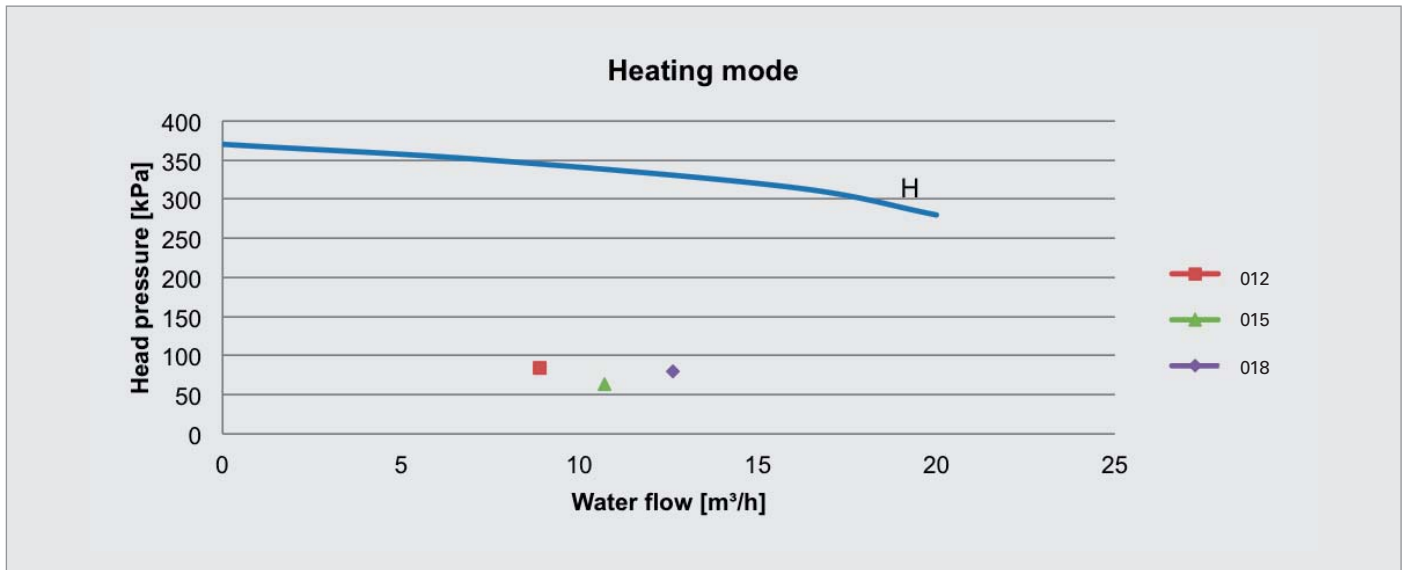
Hydraulic data

MEDIUM HEAD PRESSURE PUMP (250kPa)



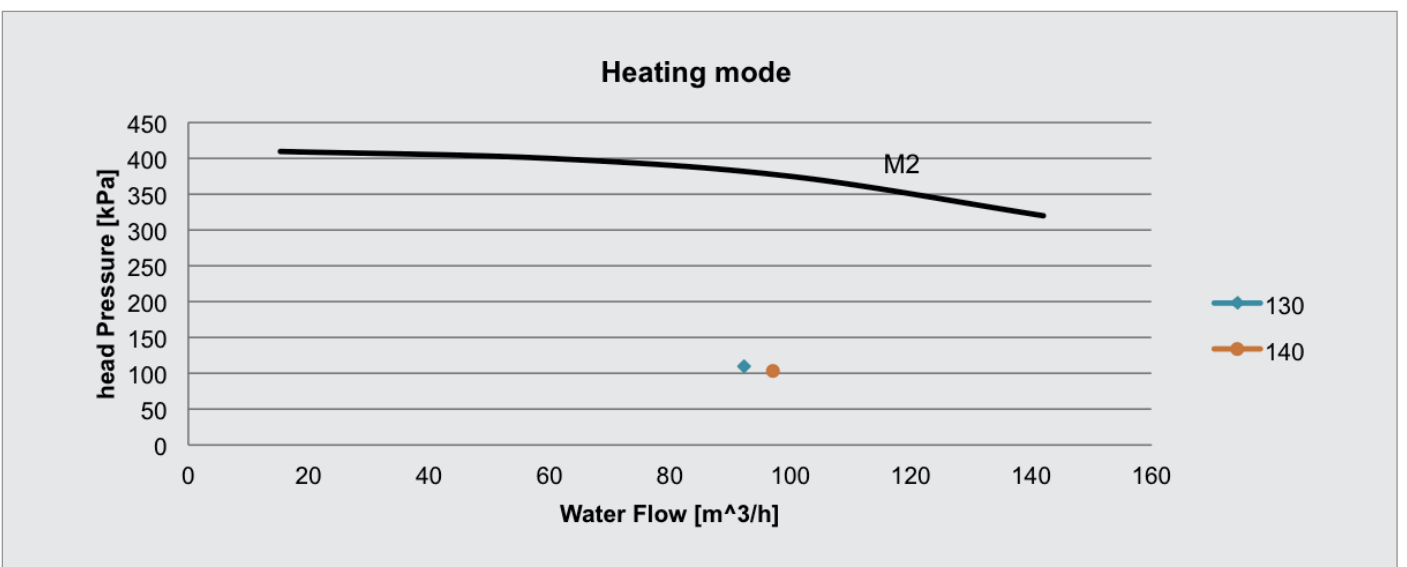
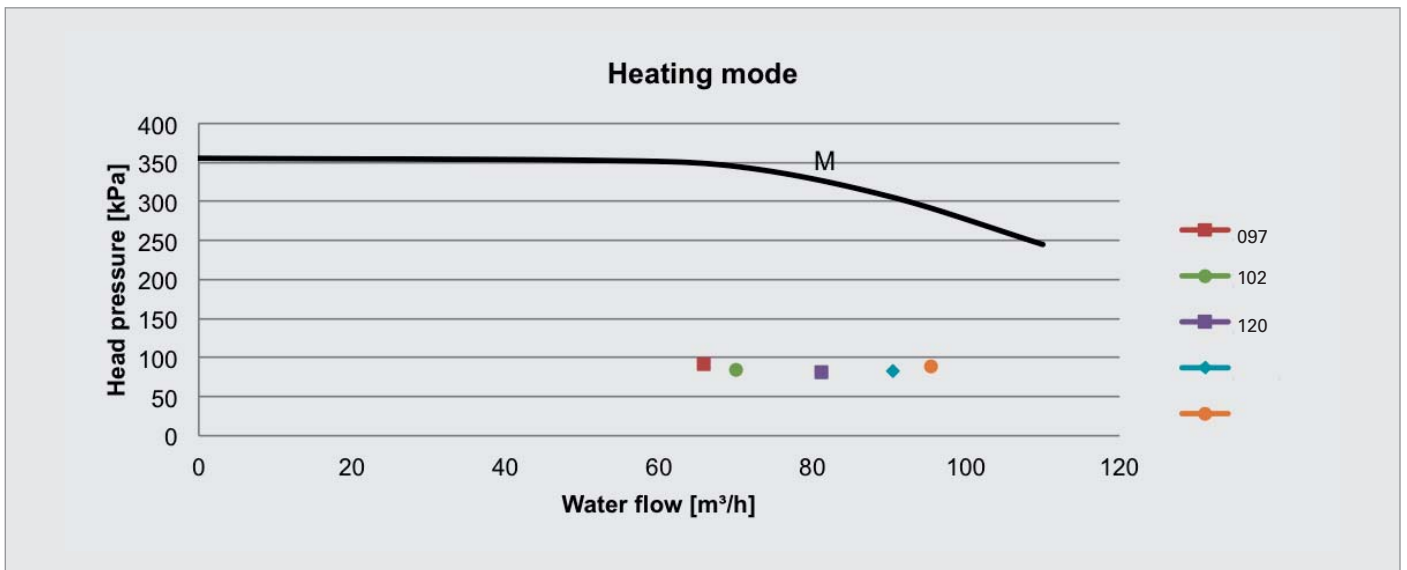
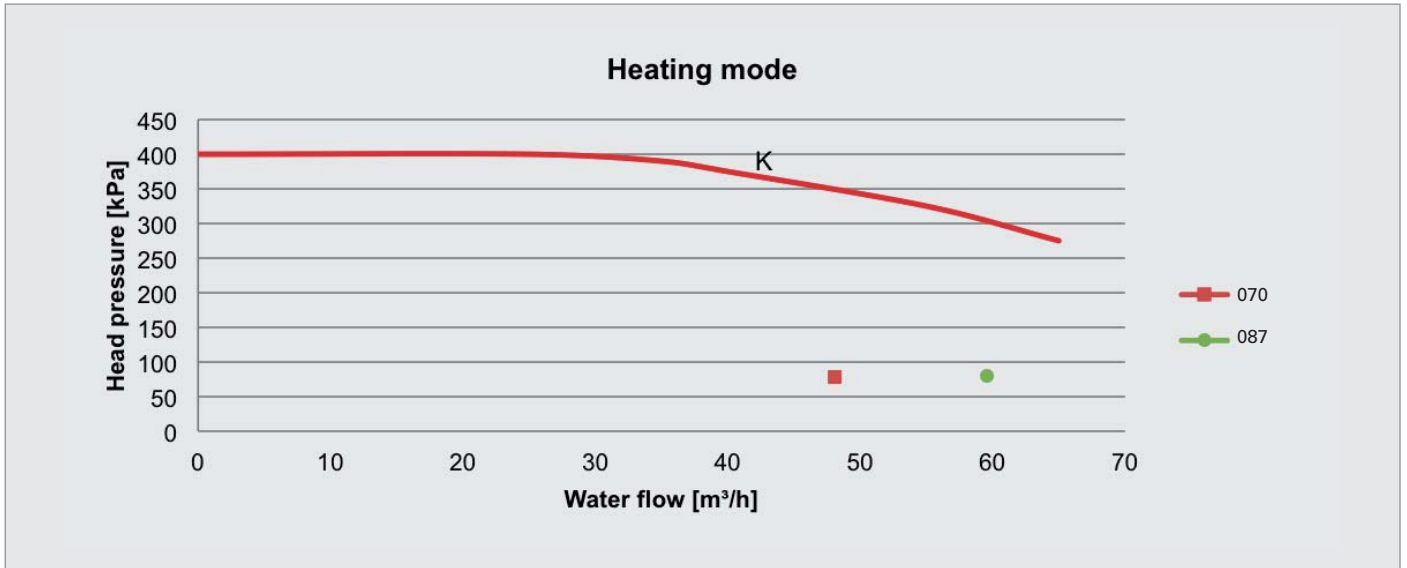
Hydraulic data

MEDIUM HEAD PRESSURE PUMP (250kPa)



Hydraulic data

MEDIUM HEAD PRESSURE PUMP (250kPa)



Hydraulic data

HIGH HEAD PRESSURE PUMP (450kPa)

CHILLER MODE

CMAA	Pf	qw	dpw	Ref. curve	Expansion vessel	F.L.I.	F.L.A.	Hp	Hu
	[kW]	[m³/h]	[kPa]		[l]	[kW]	[A]		
012	44,60	7,7	62	N	24	5,5	9,9	543,0	481,1
015	55,20	9,5	50	N	24	5,5	9,9	534,0	483,8
018	63,50	10,9	59	N	24	5,5	9,9	525,3	465,9
023	80,70	13,8	65	O	24	7,5	14,2	557,6	492,7
030	106,10	18,2	61	O	24	7,5	14,2	543,7	482,8
033	117,80	20,2	50	O	24	7,5	14,2	535,9	486,1
037	131,40	22,5	58	O	24	7,5	14,2	525,5	468,0
044	153,70	26,4	43	P	24	11	19,3	628,5	585,4
047	165,80	28,4	47	P	24	11	19,3	621,5	574,2
057	201,20	34,5	60	P	2 x 24	11	19,3	598,1	538,4
070	249,50	42,8	63	P	2 x 24	11	19,3	559,4	496,8
087	307,50	52,8	63	Q	2 x 24	11	19,3	541,1	478,1
097	340,10	58,4	72	R	2 x 24	18,5	32,9	507,5	435,1
102	361,90	62,1	66	R	2 x 24	18,5	32,9	506,2	440,0
120	421,60	72,3	64	R	2 x 24	18,5	32,9	500,7	436,6
130	460,00	78,9	80	R2	2 x 24	22	40,7	513,2	433,2
140	485,0	83,2	76	R2	2 x 24	22	40,7	508,9	432,9

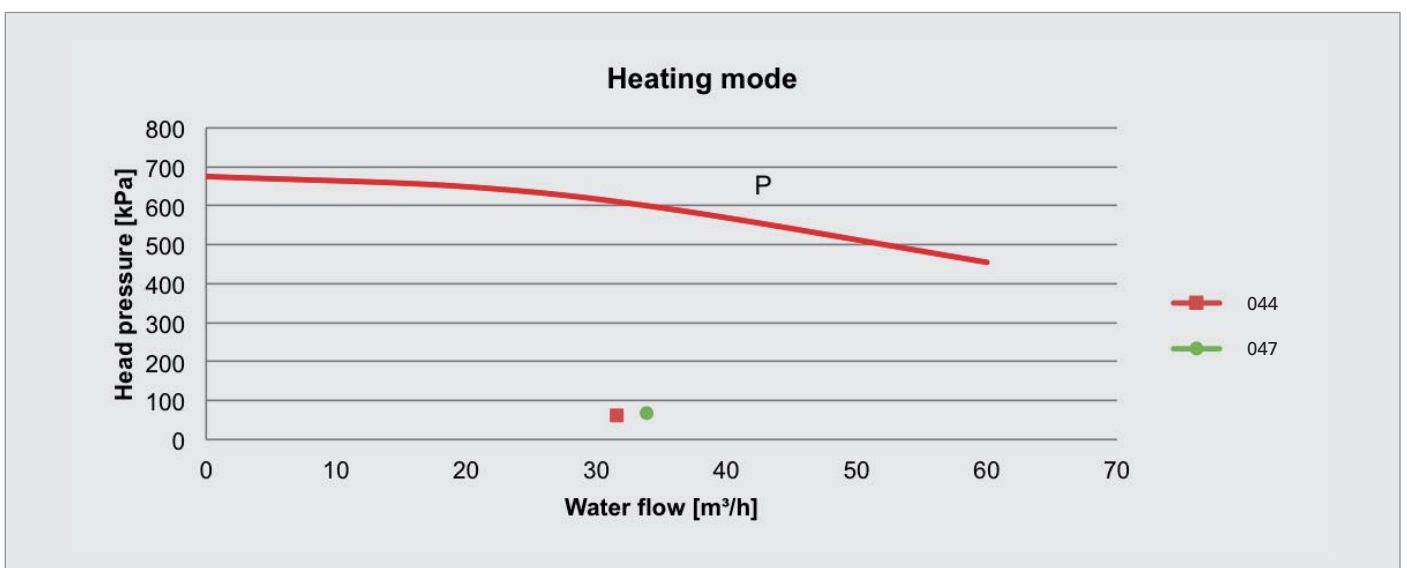
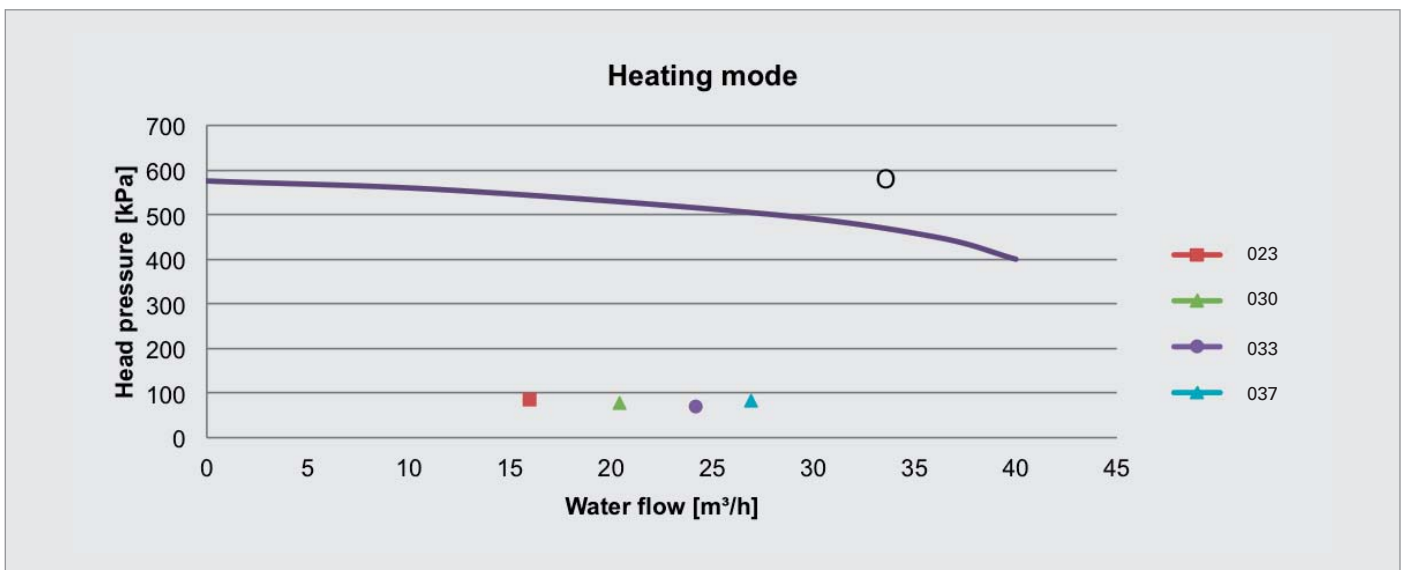
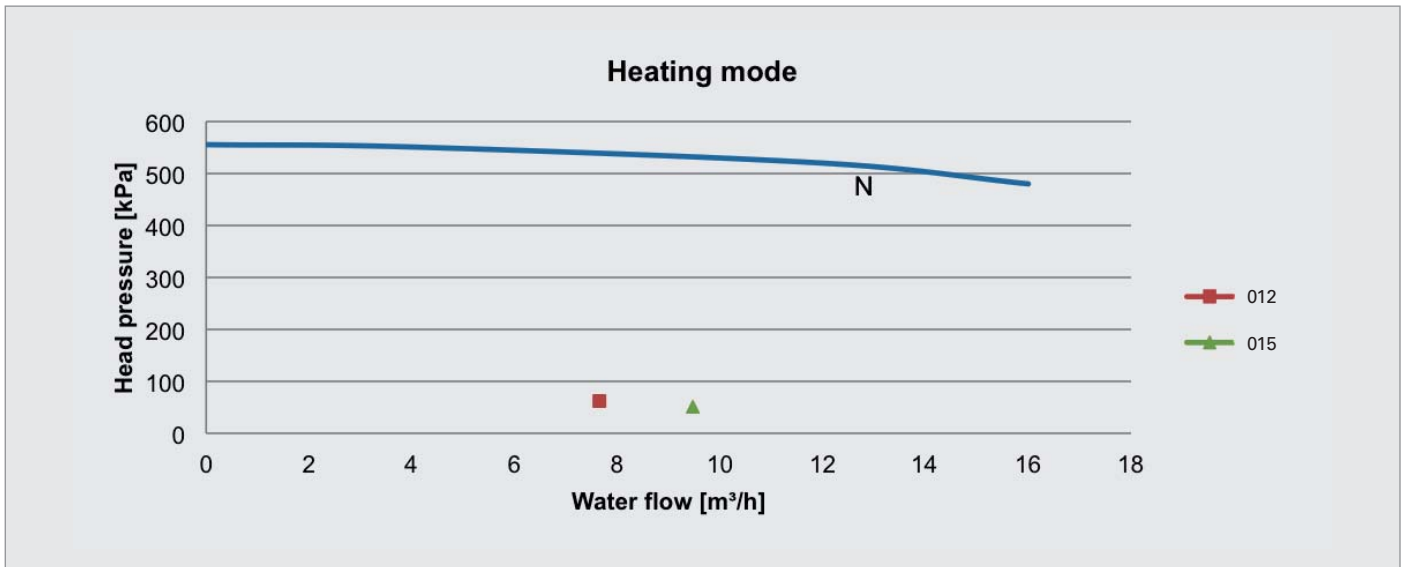
HEATING MODE

CMAA	Pf	qw	dpw	Ref. curve	Expansion vessel	F.L.I.	F.L.A.	Hp	Hu
	[kW]	[m³/h]	[kPa]		[l]	[kW]	[A]		
012	51,70	8,9	84	N	24	5,5	9,9	537,2	453,5
015	62,30	10,7	64	N	24	5,5	9,9	526,4	462,2
018	73,30	12,6	79	N	24	5,5	9,9	512,7	433,3
023	92,80	16,0	86	O	24	7,5	14,2	551,4	465,2
030	118,70	20,4	77	O	24	7,5	14,2	535,0	458,3
033	140,40	24,1	71	O	24	7,5	14,2	517,7	446,6
037	156,40	26,9	82	O	24	7,5	14,2	502,8	420,9
044	183,20	31,5	62	P	24	11	19,3	610,2	548,6
047	197,00	33,9	67	P	24	11	19,3	600,7	533,6
057	235,70	40,5	82	P	2 x 24	11	19,3	570,8	488,5
070	279,30	48,0	79	P	2 x 24	11	19,3	531,0	452,2
087	346,60	59,6	80	Q	2 x 24	11	19,3	520,3	439,9
097	383,00	65,9	92	R	2 x 24	18,5	32,9	504,5	412,2
102	407,40	70,1	84	R	2 x 24	18,5	32,9	502,2	417,9
120	472,00	81,2	81	R	2 x 24	18,5	32,9	493,5	412,7
130	530,00	92,3	110	R2	2 x 24	22	40,7	502,6	392,6
140	557,00	97,0	104	R2	2 x 24	22	40,7	492,5	388,5

Pf	Cooling capacity (kW)
qw	Water flow (m³/h)
dpw	Pressure drop (kPa)
F.L.I.	Full load electrical power
F.L.A.	Full load operating current
Hp	Pump head pressure
Hu	Available pressure

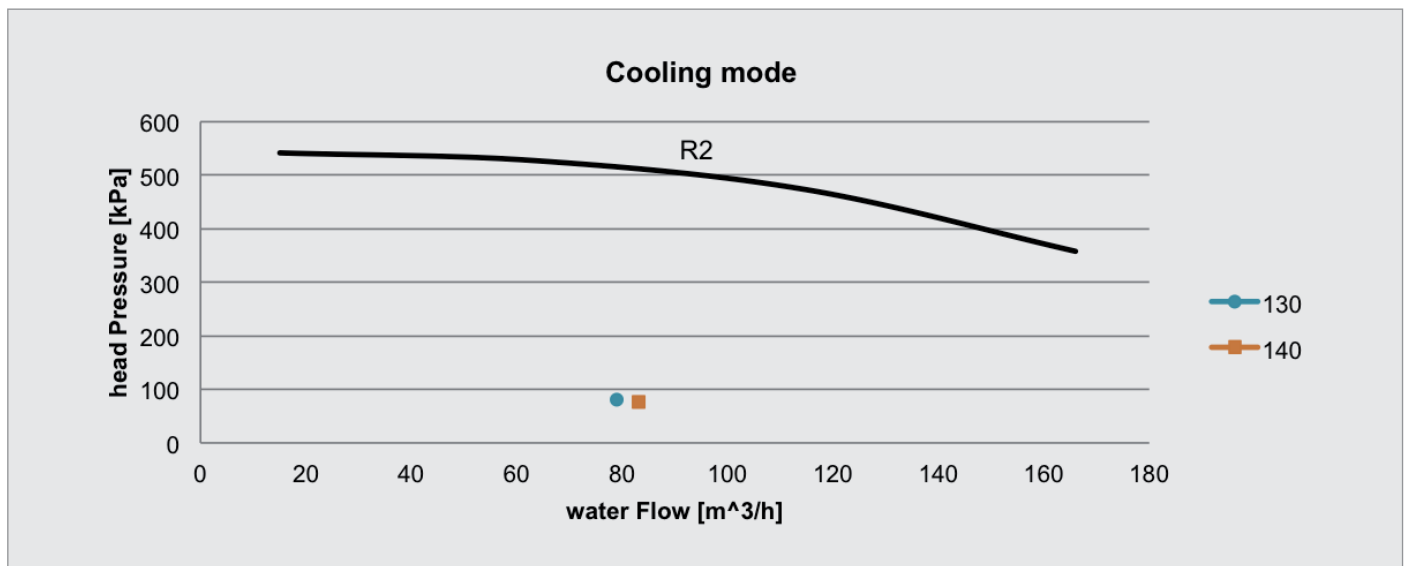
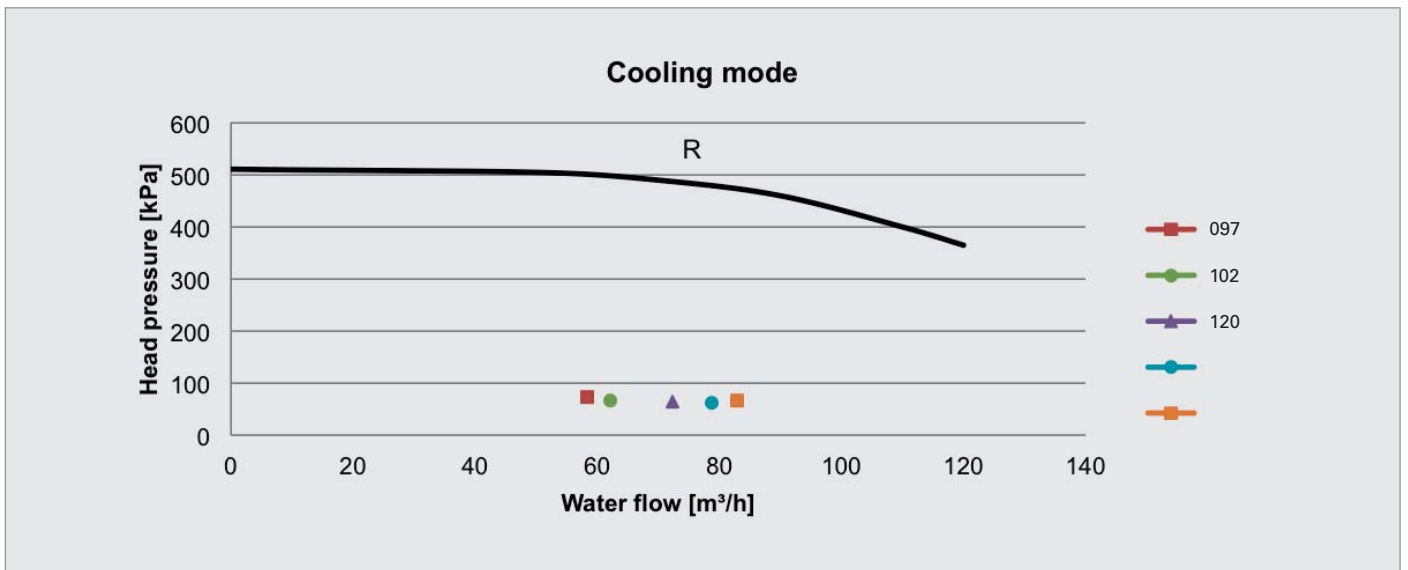
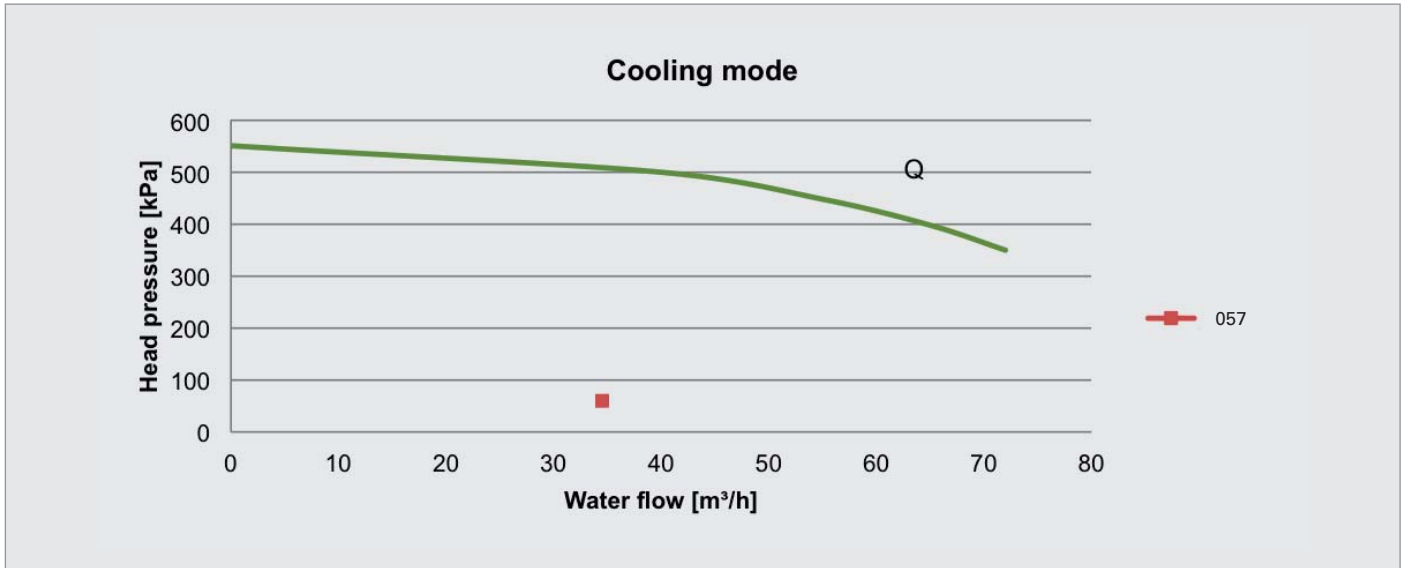
Hydraulic data

HIGH HEAD PRESSURE PUMP (450kPa)



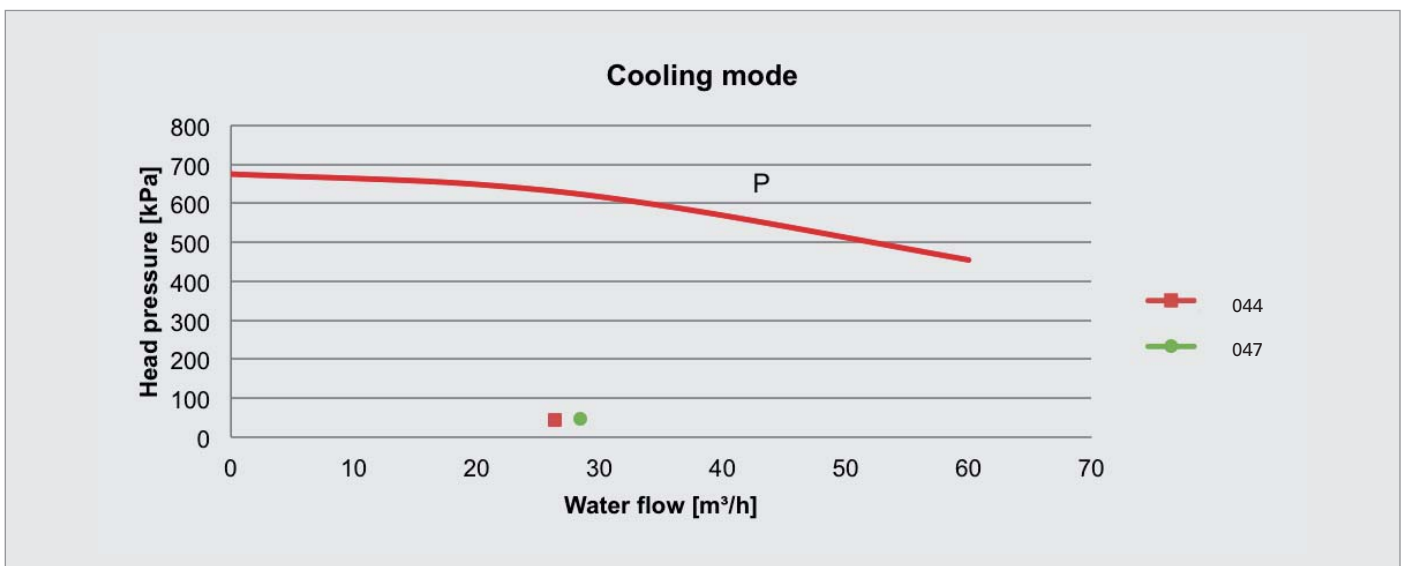
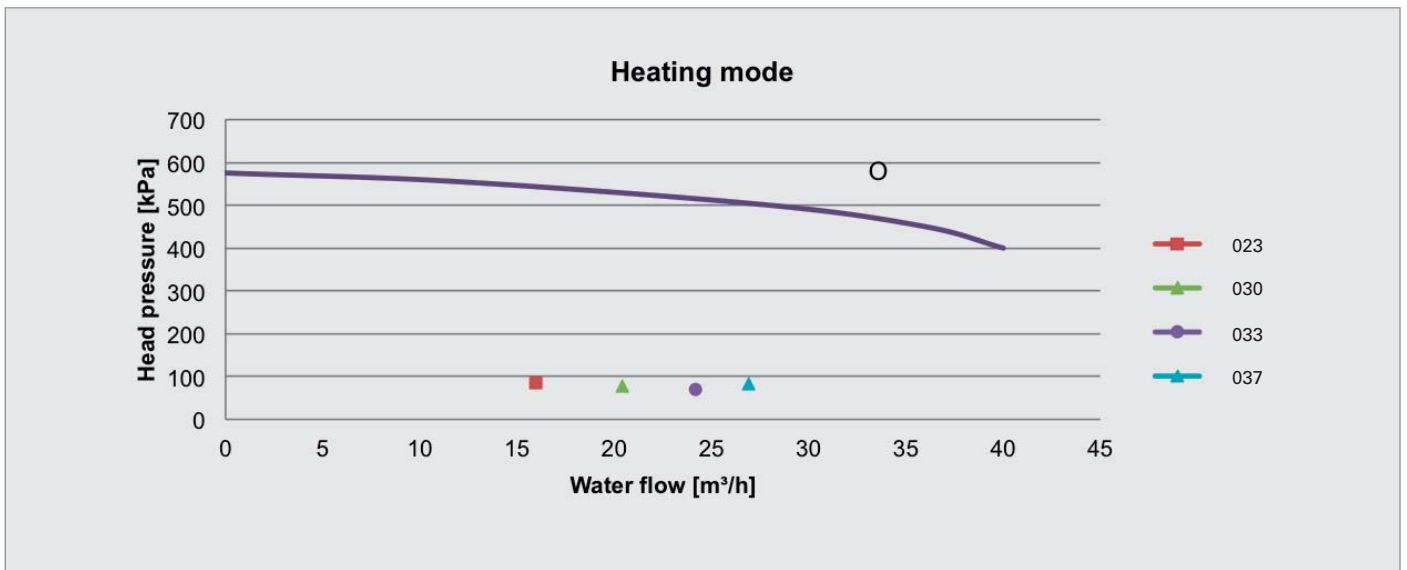
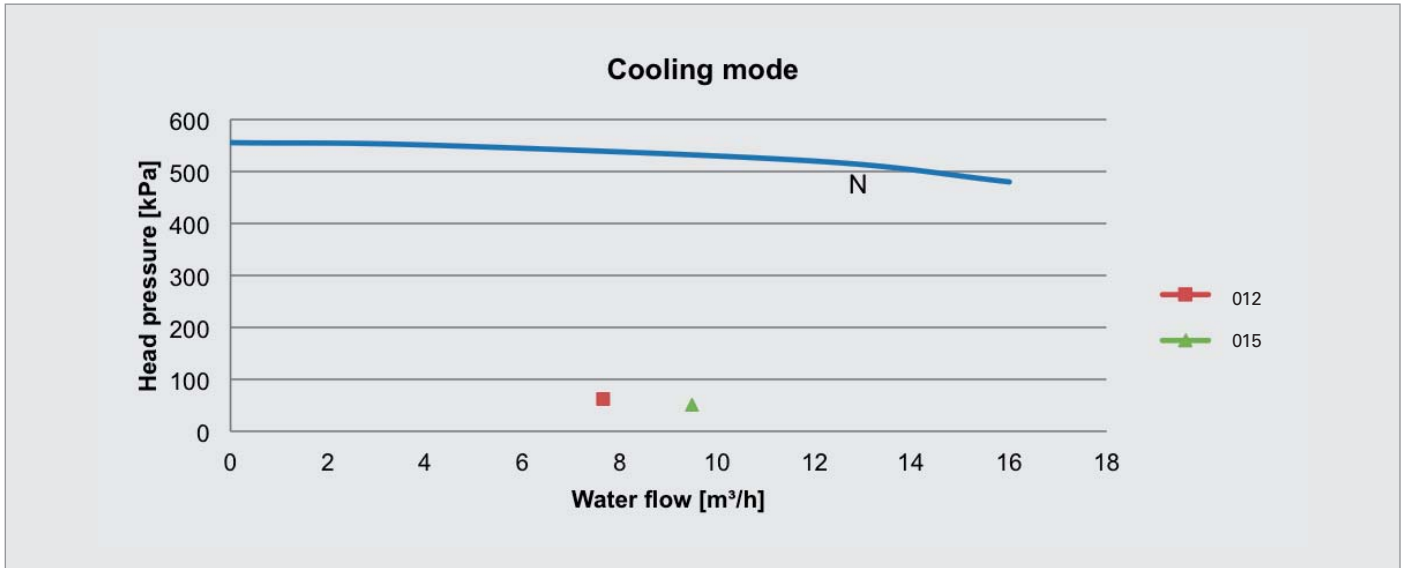
Hydraulic data

HIGH HEAD PRESSURE PUMP (450kPa)



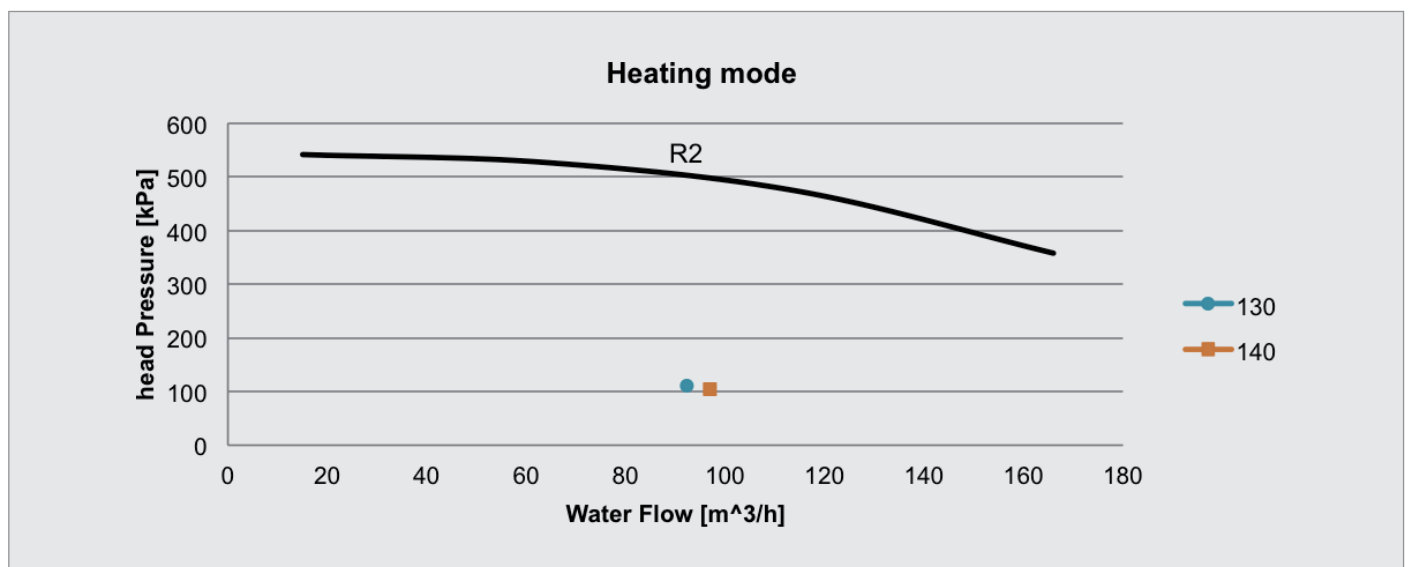
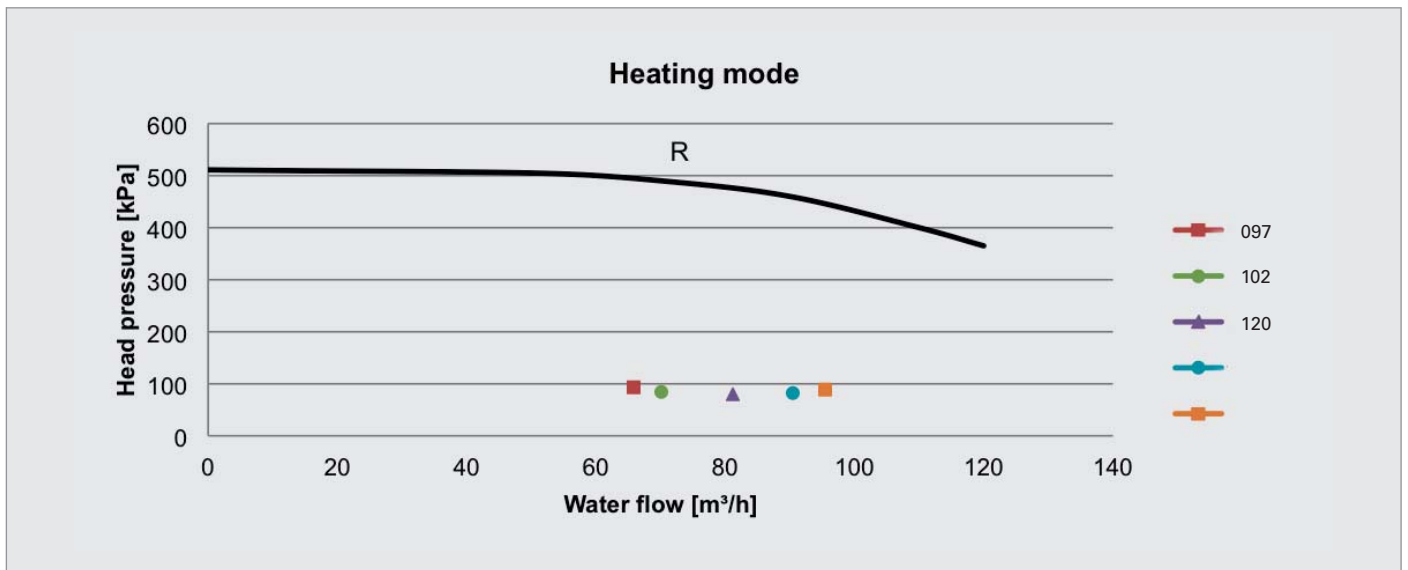
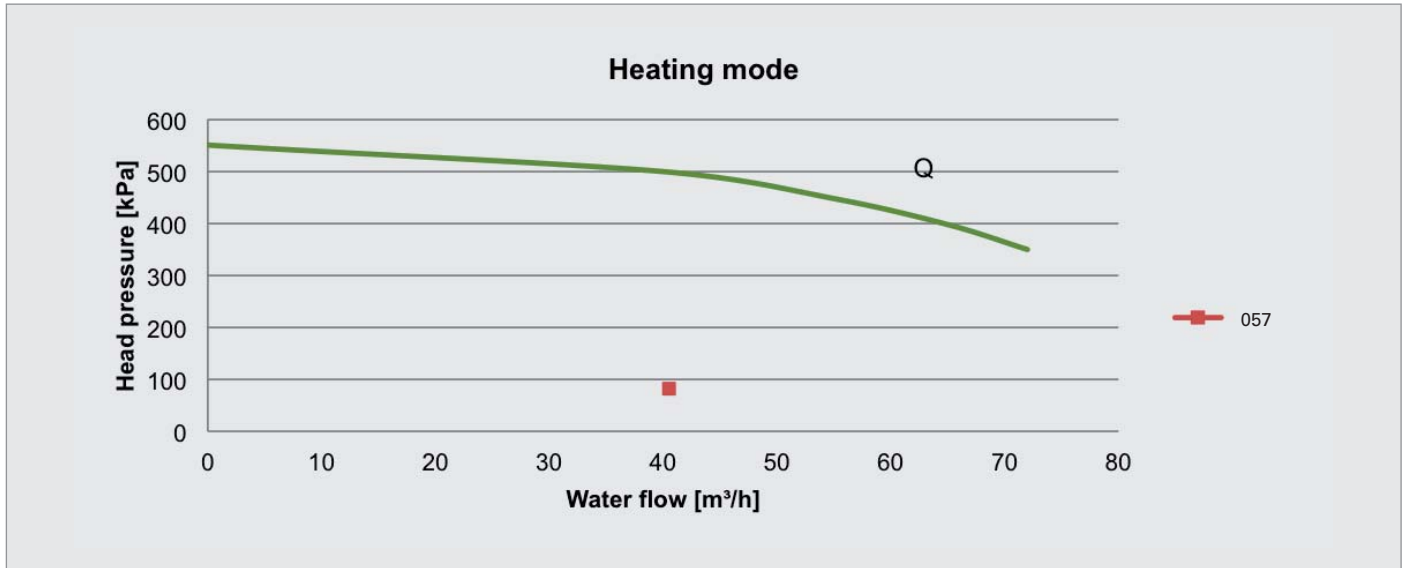
Hydraulic data

HIGH HEAD PRESSURE PUMP (450kPa)

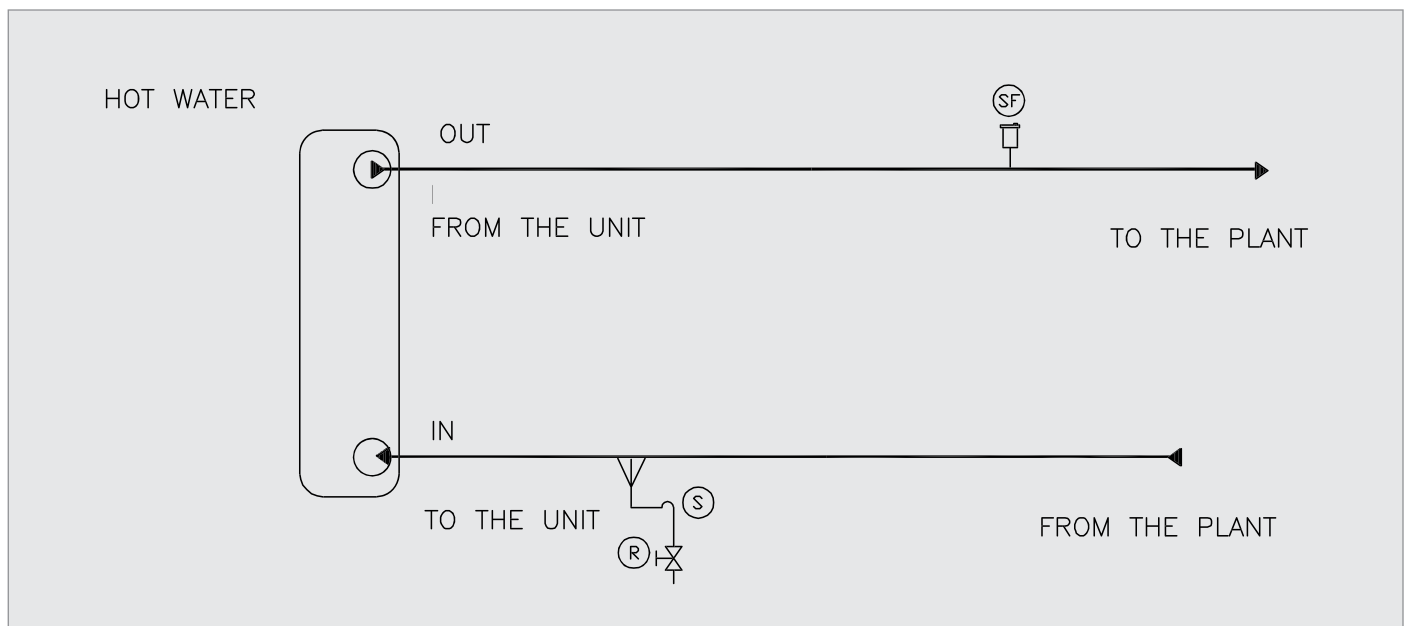
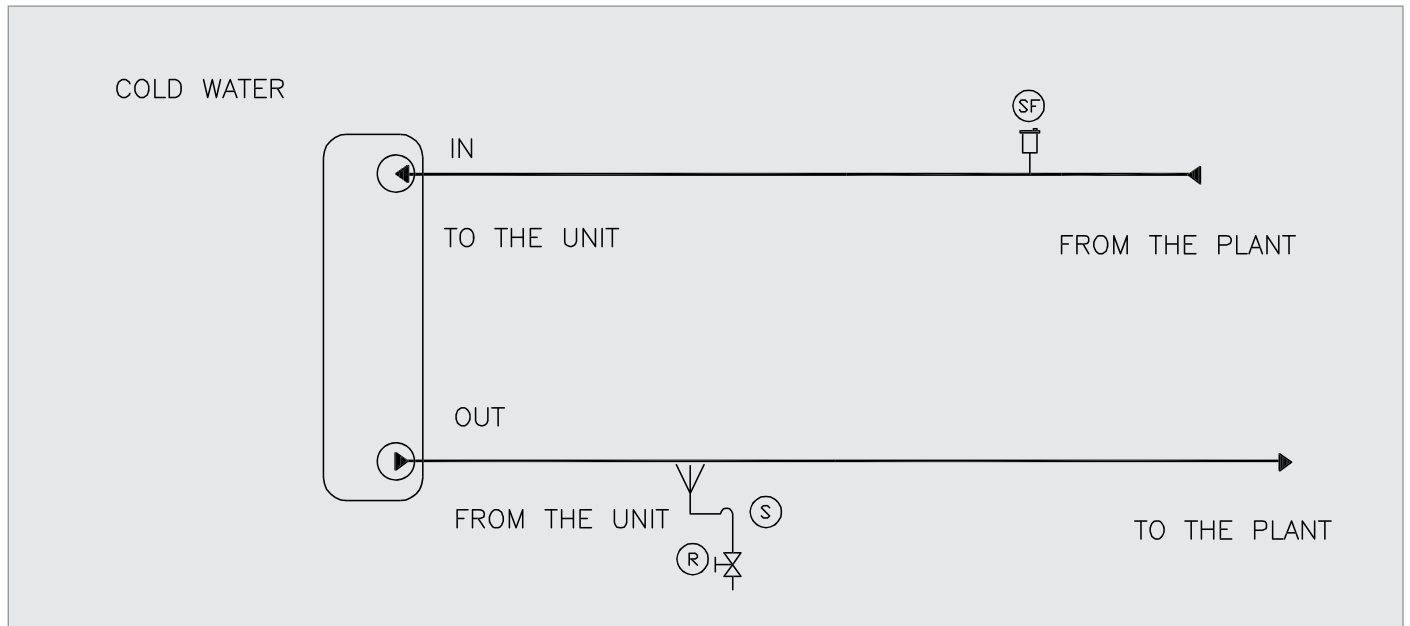


Hydraulic data

HIGH HEAD PRESSURE PUMP (450kPa)



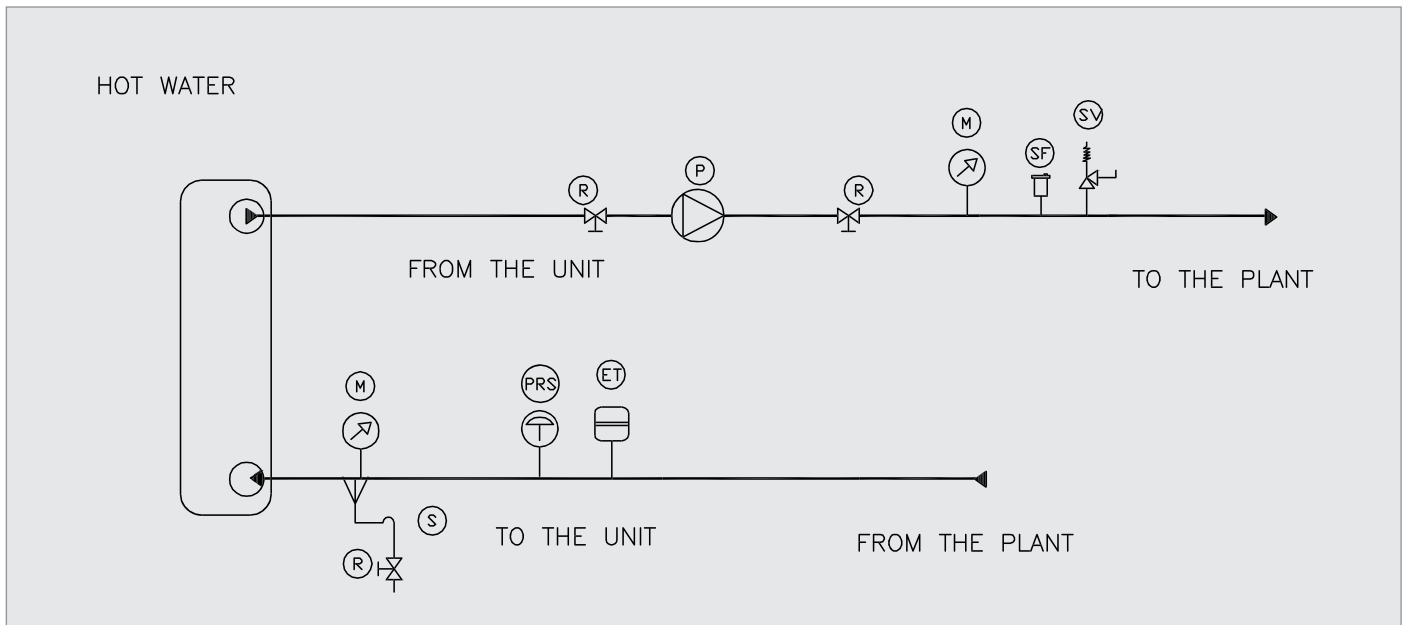
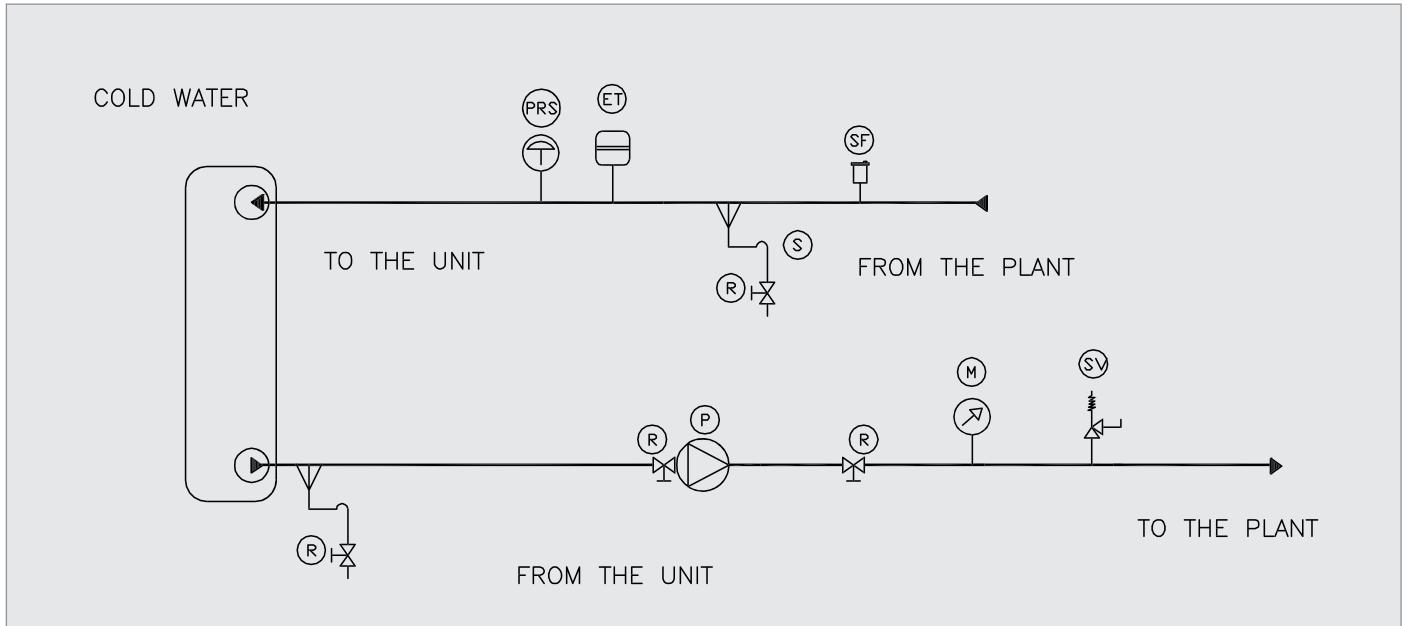
CONNECTION SCHEME - STANDARD VERSION



- S Water discharge
- SF Relief valve
- R Shut off valve

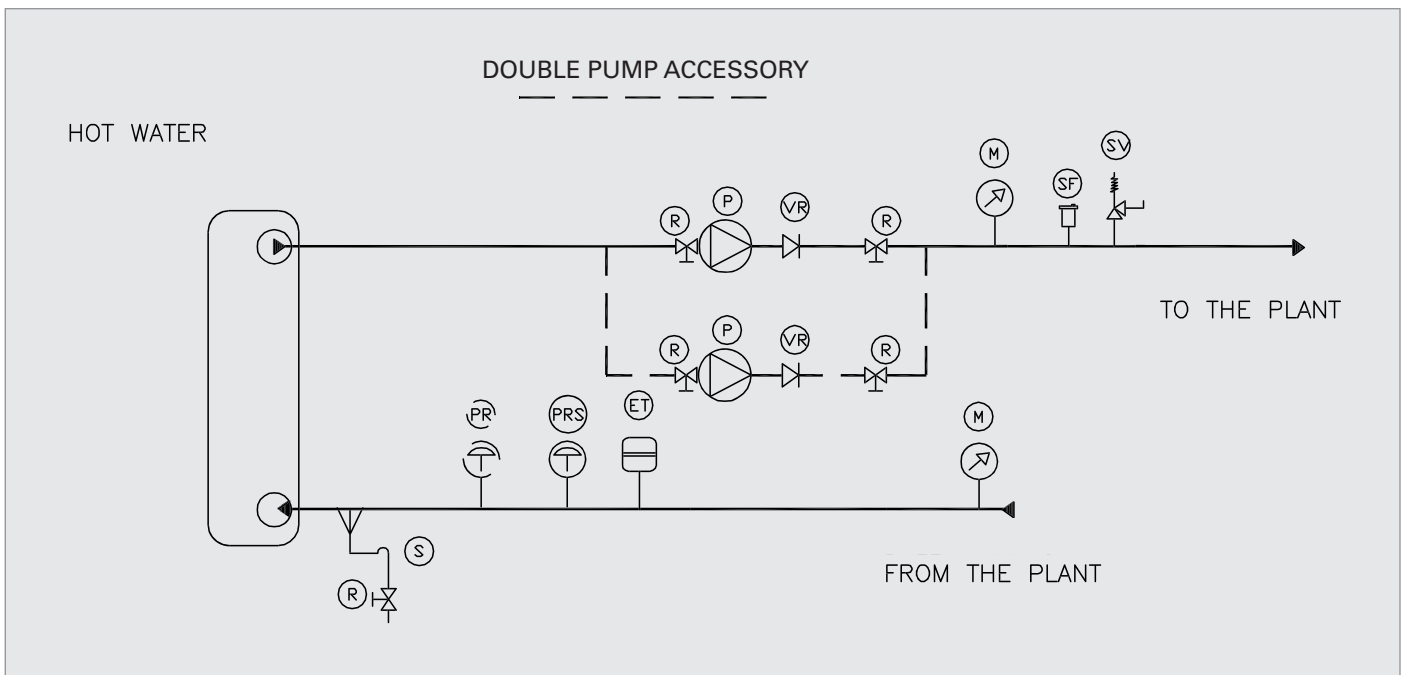
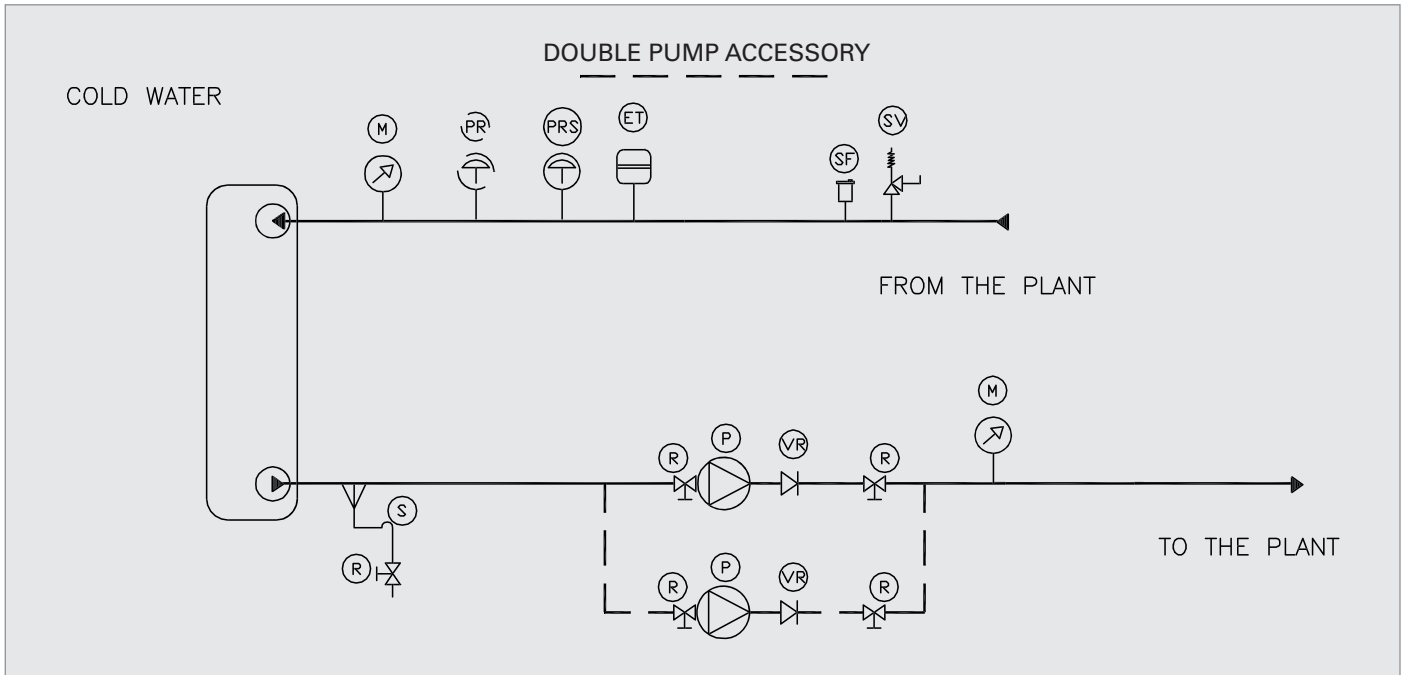
Hydraulic data

CONNECTION SCHEME - HYDRONIC KIT WITH 1 PUMP HOT SIDE + 1 PUMP COLD SIDE - PB/PM/PA VERSIONS



M	Gauges
S	Water discharge
P	Pump
SV	Safety valve
SF	Relief valve
ET	Expansion vessel
PRS	Empty plant security pressure switch
R	Shut off valve

CONNECTION SCHEME - HYDRONIC KIT WITH 2 HOT SIDE PUMPS + 2 COLD SIDE PUMPS - PB/PM/PA VERSIONS



- M Gauges
- S Water discharge
- P Pump
- SV Safety valve
- SF Relief valve
- ET Expansion vessel
- PD Water differential pressure switch
- PRS Empty plant security pressure switch
- R Shut off valve
- PR Additional pump water pressure switch
- VR Check valve

Electrical data

CMAA

Model	NOMINAL VALUES									MAXIMUM VALUES (1)		
	Outdoor air temperature 35°C, evaporator water temperature in/out 12/7°C											
	Compressors (2)			Fans		TOTAL			TOTAL			
F.L.I.	F.L.A.	L.R.A.	E.P.	O.C.	F.L.I.	F.L.A.	S.A.	F.L.I.	F.L.A.	S.A.		
kW	A	A	kW	A	kW	A	A	kW	A	A		
012	13,8	23,5	99,0	2,0	3,9	15,8	26,8	111,0	18,0	33,6	117,3	
015	15,8	26,9	156,0	2,0	3,9	17,8	30,2	170,1	21,7	40,2	177,6	
018	19,9	33,8	163,0	2,0	3,9	21,9	37,2	178,8	24,8	46,1	186,1	
023	21,9	37,2	158,0	2,9	5,9	24,8	42,2	158,0	32,1	56,6	189,3	
030	31,9	54,2	215,0	2,9	5,9	34,8	59,2	239,1	41,0	75,5	251,0	
033	34,8	59,2	215,0	2,9	5,9	37,7	64,2	245,8	46,7	85,0	260,5	
037	41,1	69,9	260,0	2,9	5,9	44,0	74,9	290,8	50,8	93,5	305,5	
044	43,4	73,8	260,0	6,0	12,0	49,4	84,0	260,0	58,0	108,0	320,0	
047	47,8	81,3	320,0	6,0	12,0	53,8	91,5	360,5	65,8	118,0	380,0	
057	61,8	105,1	215,0	6,0	12,0	67,8	115,3	264,2	80,8	152,2	327,7	
070	72,5	123,3	215,0	6,0	12,0	78,5	133,5	215,0	93,3	170,0	345,5	
087	96,1	163,4	260,0	6,0	12,0	102,1	173,6	260,0	109,9	204,0	416,0	
097	100,5	170,9	320,0	9,0	18,0	109,5	186,2	401,0	128,5	230,0	492,0	
102	105,1	178,7	320,0	9,0	18,0	114,1	194,0	320,0	144,1	250,0	512,0	
120	125,8	213,9	394,0	9,0	18,0	134,8	229,2	481,6	163,9	284,6	604,6	
130	148,4	271,7	320,0	18,0	36,0	166,4	307,7	537,8	287,4	476,0	717,0	
140	156,5	290,8	320,0	18,0	36,0	174,5	326,8	553,7	306,9	510,0	751,0	

CMAA LN

Model	NOMINAL VALUES									MAXIMUM VALUES (1)		
	Outdoor air temperature 35°C, evaporator water temperature in/out 12/7°C											
	Compressors (2)			Fans		TOTAL			TOTAL			
F.L.I.	F.L.A.	L.R.A.	E.P.	O.C.	F.L.I.	F.L.A.	S.A.	F.L.I.	F.L.A.	S.A.		
kW	A	A	kW	A	kW	A	A	kW	A	A		
012	14,3	24,3	99,0	2,0	4,0	16,3	27,7	112,9	19,6	34,6	118,3	
015	16,4	27,9	156,0	2,0	4,0	18,4	31,3	172,2	23,4	41,2	178,6	
018	20,6	35,1	163,0	2,0	4,0	22,6	38,5	181,3	26,8	47,1	187,1	
023	22,8	38,7	158,0	4,0	8,0	26,8	45,5	158,0	34,5	58,6	191,3	
030	33,2	56,4	215,0	4,0	8,0	37,2	63,2	242,8	44,4	77,5	253,0	
033	36,2	61,6	215,0	4,0	8,0	40,2	68,4	251,2	50,3	87,0	262,5	
037	42,7	72,6	260,0	4,0	8,0	46,7	79,4	296,3	54,7	95,5	307,5	
044	45,0	76,5	260,0	6,0	12,0	51,0	86,7	260,0	63,1	112,0	324,0	
047	49,6	84,3	320,0	6,0	12,0	55,6	94,5	366,8	70,5	122,0	384,0	
057	64,3	109,3	215,0	6,0	12,0	70,3	119,5	271,3	87,9	156,2	331,7	
070	75,5	128,4	215,0	6,0	12,0	81,5	138,6	215,0	100,6	174,0	349,5	
087	99,8	169,6	260,0	6,0	12,0	105,8	179,8	260,0	118,2	208,0	420,0	
097	104,3	177,3	320,0	9,0	18,0	113,3	192,6	413,7	136,9	236,0	498,0	
102	109,0	185,3	320,0	9,0	18,0	118,0	200,6	320,0	151,7	256,0	518,0	
120	130,7	222,2	394,0	9,0	18,0	139,7	237,5	499,0	173,7	290,6	610,6	
130	148,8	269,5	320,0	13,6	27,1	162,4	296,6	536,3	287,4	476,0	717,0	
140	157,2	289,3	320,0	13,6	27,1	170,8	316,4	552,1	306,9	510,0	751,0	

Electrical data

CMAA SL

Model	NOMINAL VALUES								MAXIMUM VALUES (1)		
	Outdoor air temperature 35°C, evaporator water temperature in/out 12/7°C										
	Compressors (2)			Fans		TOTAL			TOTAL		
F.L.I.	F.L.A.	L.R.A.	E.P.	O.C.	F.L.I.	F.L.A.	S.A.	F.L.I.	F.L.A.	S.A.	
kW	A	A	kW	A	kW	A	A	kW	A	A	
012	13,9	23,7	99,0	1,4	1,4	15,3	26,1	111,0	17,6	32,7	116,4
015	16,0	27,1	156,0	1,4	1,4	17,4	29,5	170,1	21,2	39,3	176,7
018	20,1	34,2	163,0	1,4	1,4	21,5	36,6	178,8	24,4	45,2	185,2
023	22,1	37,6	158,0	2,1	2,1	24,2	41,2	158,0	31,2	54,8	187,5
030	32,2	54,8	215,0	2,1	2,1	34,3	58,4	239,1	40,1	73,7	249,2
033	35,2	59,8	215,0	2,1	2,1	37,3	63,4	245,8	45,8	83,2	258,7
037	41,5	70,6	260,0	2,1	2,1	43,6	74,2	290,8	49,9	91,7	303,7
044	43,8	74,5	260,0	4,2	8,4	48,0	81,7	260,0	56,2	104,4	316,4
047	48,3	82,1	320,0	4,2	8,4	52,5	89,2	360,5	64,0	114,4	376,4
057	62,5	106,2	215,0	4,2	8,4	66,7	113,4	264,2	79,0	148,6	324,1
070	73,3	124,7	215,0	4,2	8,4	77,5	131,8	215,0	91,5	166,4	341,9
087	97,1	165,1	260,0	4,2	8,4	101,3	172,2	260,0	108,1	200,4	412,4
097	101,5	172,6	320,0	6,3	12,6	107,8	183,3	401,0	125,8	224,6	486,6
102	106,2	180,5	320,0	6,3	12,6	112,5	191,2	320,0	141,5	244,6	506,6
120	127,1	216,1	394,0	6,3	12,6	133,4	226,8	481,6	161,2	279,2	599,2
130	144,3	262,8	320,0	12,6	25,2	156,9	288,0	538,2	287,4	476,0	717,0
140	152,5	282,0	320,0	12,6	25,2	165,1	307,2	553,6	306,9	510,0	751,0

Electrical data referred to 400V - 3PH+N-50Hz

Maximum operating admitted conditions: 10%

Maximum phase unbalance: 3%

F.L.I. full load electrical power

F.L.A. full load operating current

L.R.A. compressor motor locked rotor current (direct starting)

S.A. sum of LRA of the most powerful compressor, FLA of other compressor and fans current

E.P. electrical power

O.C. operating current

⁽¹⁾ maximum operating admitted conditions by the compressors manufacturer

⁽²⁾ data referred to the biggest compressor for units with different compressors

Acoustic data

CMAA

MODEL	Octave bands (Hz)								Lw eq dB(A)
	63	125	250	500	1000	2000	4000	8000	
	Lw dB(A)								
012	56,0	52,0	46,8	42,6	40,2	38,0	32,0	26,9	78
015	56,0	52,0	47,4	43,2	40,8	38,0	32,0	27,5	78
018	57,0	53,0	47,8	43,6	41,2	39,0	33,0	27,9	79
023	58,0	54,0	50,0	46,0	43,0	41,0	35,0	29,7	81
030	61,3	57,3	52,7	49,0	46,1	44,0	38,0	32,8	84
033	63,1	59,1	55,0	51,0	47,9	46,0	40,0	34,6	86
037	63,1	59,1	55,0	51,0	47,9	46,0	40,0	34,6	86
044	64,3	60,3	56,0	51,5	49,1	47,0	40,0	35,8	87
047	64,6	60,6	56,0	51,8	49,4	47,0	40,0	36,1	87
057	66,0	62,0	58,0	53,0	51,0	49,0	42,0	38,0	88
070	69,0	65,0	61,0	56,0	54,0	52,0	45,0	41,0	89
087	69,0	65,0	61,0	56,0	54,0	52,0	45,0	41,0	89
097	71,0	67,0	62,0	58,0	56,0	54,0	47,0	43,0	90
102	71,0	67,0	62,0	58,0	56,0	54,0	47,0	43,0	90
120	72,0	68,0	63,0	59,0	57,0	55,0	48,0	44,0	94
130	71,9	67,9	63,3	59,1	56,7	71,9	54,4	43,4	95
140	73,0	69,0	63,9	60,0	58,0	55,0	49,0	44,0	96

CMAA LN

MODEL	Octave bands (Hz)								Lw eq dB(A)
	63	125	250	500	1000	2000	4000	8000	
	Lw dB(A)								
012	54,0	49,6	45,0	41,0	38,4	36,0	30,0	25,1	76,0
015	54,0	49,6	45,0	41,0	38,4	36,0	30,0	25,1	76,0
018	54,0	50,0	45,0	41,0	38,0	36,0	30,0	25,0	77,0
023	56,0	52,0	48,0	44,0	41,1	39,0	33,0	28,0	79,0
030	59,0	55,0	51,0	47,0	44,1	42,0	36,0	31,0	82,0
033	61,0	57,0	53,0	49,0	46,0	44,0	38,0	33,0	84,0
037	61,0	57,0	53,0	49,0	46,0	44,0	38,0	33,0	84,0
044	62,0	58,0	54,0	49,0	47,0	45,0	38,0	34,0	85,0
047	64,0	60,0	56,0	51,0	49,0	47,0	40,0	36,0	87,0
057	64,0	60,0	56,0	51,0	49,0	47,0	40,0	36,0	87,0
070	67,0	63,0	59,0	54,0	52,0	50,0	43,0	39,0	90,0
087	67,0	63,0	59,0	54,0	52,0	50,0	43,0	39,0	90,0
097	69,0	65,0	60,0	56,0	54,0	52,0	45,0	41,0	92,0
102	69,0	65,0	60,0	56,0	54,0	52,0	45,0	41,0	92,0
120	70,0	66,0	61,0	57,0	55,0	53,0	46,0	42,0	93,0
130	70,0	66,0	61,0	57,0	55,0	53,0	46,0	42,0	93,0
140	71,0	67,0	62,3	58,1	56,0	53,0	47,0	42,4	94,0

CMAA SL

MODEL	Octave bands (Hz)							Lw eq dB(A)	
	63	125	250	500	1000	2000	4000		8000
	Lw dB(A)								
012	51,0	47,0	42,0	38,0	35,4	33,0	27,0	22,1	73,0
015	51,0	47,0	42,0	38,0	35,4	33,0	27,0	22,1	73,0
018	52,0	48,0	43,0	39,0	36,4	34,0	28,0	23,1	74,0
023	53,0	49,0	44,7	41,0	38,1	36,0	30,0	24,8	76,0
030	56,0	52,0	47,7	44,0	41,1	29,0	33,0	27,8	79,0
033	58,0	54,0	50,0	46,0	43,1	41,0	35,0	29,8	81,0
037	58,0	54,0	50,0	46,0	43,1	41,0	35,0	29,8	81,0
044	59,1	55,1	51,0	46,0	43,9	42,0	35,0	31,0	82,0
047	61,1	57,1	53,0	48,3	45,9	44,0	37,0	33,0	84,0
057	61,1	57,1	53,0	48,3	45,9	44,0	37,0	33,0	84,0
070	64,1	60,1	56,0	51,3	48,9	47,0	40,0	36,0	87,0
087	64,1	60,1	56,0	51,3	48,9	47,0	40,0	36,0	87,0
097	66,1	62,1	57,0	53,3	50,9	49,0	42,0	38,0	89,0
102	66,1	62,1	57,0	53,3	51,0	49,0	42,0	38,0	89,0
120	67,0	63,0	58,0	54,0	52,0	50,0	43,0	39,0	90,0
130	67,0	63,0	58,0	54,0	52,0	50,0	43,0	39,0	90,0
140	68,0	64,0	55,0	55,1	53,0	50,0	44,0	39,0	91,0

Operating conditions:

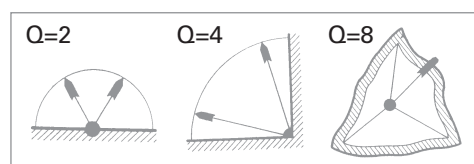
Outlet water temperature in/out 12°C/7°C – outdoor air temperature 35°C.

Testing point:

Average sound pressure levels calculated according to ISO 3744 at 10 mt distance from unit.

Measurement conditions:

Free field on reflecting surface (Q factor Q=2).



- For units installed in the presence of 2 reflecting surfaces (Q factor Q=4) 3 dB have to be added at values above mentioned.
- For units installed in the presence of 3 reflecting surfaces (Q factor Q=8) 6 dB have to be added at values above mentioned.
- For units installed at a certain height from the ground, the sound energy coming out from the bottom of the unit leads an increase of the noise pressure level of around 3 dB.

Sound emission values in octave bands are shown just as an indication and they are not to be considered as a commitment. Sound pressure values, according to ISO 3744 standards and in observance of EUROVENT certification program, are the only ones to be used for every calculation to make a prevision of the sound pressure level at the operating conditions. The sound pressure level data are not binding. For a more precise value please refer to the sound power level.

NOTE: Table data are referred to the unit without **PB**, **PM**, **PA** settings up.

Acoustic data

NOISE CORRECTION FACTORS FOR HYDRAULIC VERSION

For the Hydraulic version please consider the noise output increase due to the addition of the hydraulic group.

CMAA

MODEL	LOW head pressure		MEDIUM head pressure		HIGH head pressure	
	1 pump	2 pump	1 pump	2 pump	1 pump	2 pump
	[dB(A)]	[dB(A)]	[dB(A)]	[dB(A)]	[dB(A)]	[dB(A)]
012	-	-	-	-	1	2
015	-	-	-	-	1	2
018	-	-	-	-	1	2
023	-	-	-	-	-	1
030	-	-	-	-	-	1
033	-	-	-	-	-	1
037	-	-	-	-	-	1
044	-	-	-	-	-	1
047	-	-	-	-	-	1
057	-	-	-	-	-	1
070	-	-	-	-	-	1
087	-	-	-	-	-	1
097	-	-	-	-	-	1
102	-	-	-	-	-	1
120	-	-	-	-	-	-
130	-	-	-	-	-	-
140	-	-	-	-	-	-

CMAA LN

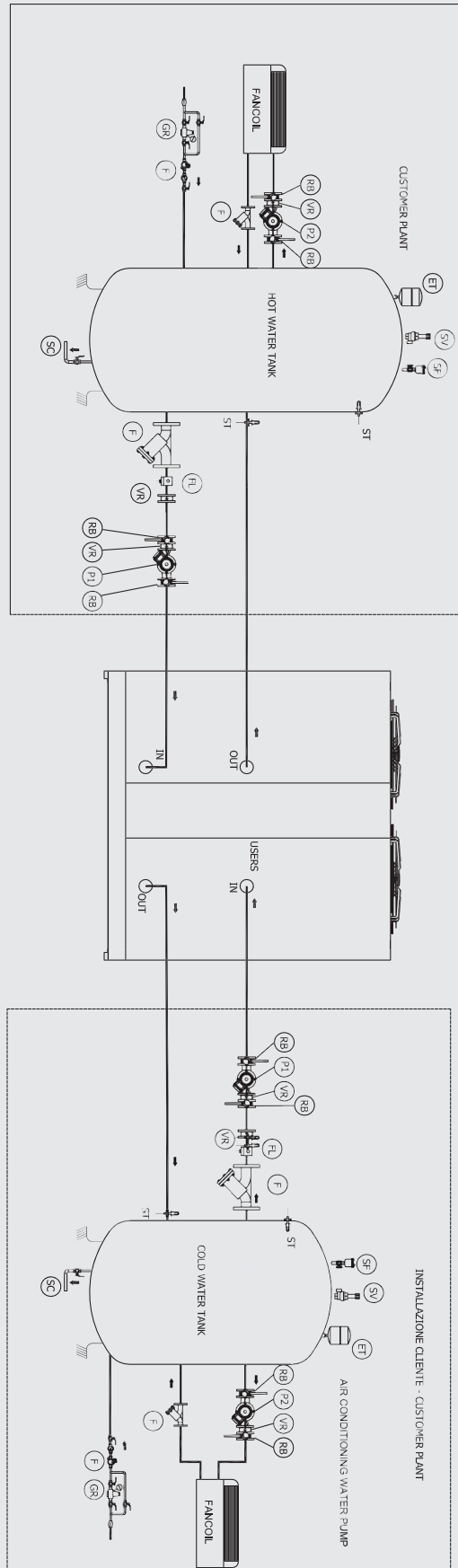
MODEL	LOW head pressure		MEDIUM head pressure		HIGH head pressure	
	1 pump	2 pump	1 pump	2 pump	1 pump	2 pump
	[dB(A)]	[dB(A)]	[dB(A)]	[dB(A)]	[dB(A)]	[dB(A)]
012	-	-	-	-	1	3
015	-	-	-	-	1	3
018	-	-	-	-	1	2
023	-	-	-	-	-	1
030	-	-	-	-	-	1
033	-	-	-	-	-	1
037	-	-	-	-	-	1
044	-	-	-	-	1	1
047	-	-	-	-	1	1
057	-	-	-	-	-	1
070	-	-	-	-	-	1
087	-	-	-	-	-	1
097	-	-	-	-	1	1
102	-	-	-	-	1	1
120	-	-	-	-	-	-
130	-	-	-	-	-	-
140	-	-	-	-	-	-

CMAA SL

MODEL	LOW head pressure		MEDIUM head pressure		HIGH head pressure	
	1 pump	2 pump	1 pump	2 pump	1 pump	2 pump
	[dB(A)]	[dB(A)]	[dB(A)]	[dB(A)]	[dB(A)]	[dB(A)]
012	-	-	-	-	1	2
015	-	-	-	-	1	2
018	-	-	-	-	1	2
023	-	-	-	-	-	1
030	-	-	-	-	-	1
033	-	-	-	-	-	1
037	-	-	-	-	-	1
044	-	-	-	-	-	1
047	-	-	-	-	-	1
057	-	-	-	-	-	1
070	-	-	-	-	-	1
087	-	-	-	-	-	1
097	-	-	-	-	-	1
102	-	-	-	-	-	1
120	-	-	-	-	-	-
130	-	-	-	-	-	-
140	-	-	-	-	-	-

Installation sketch

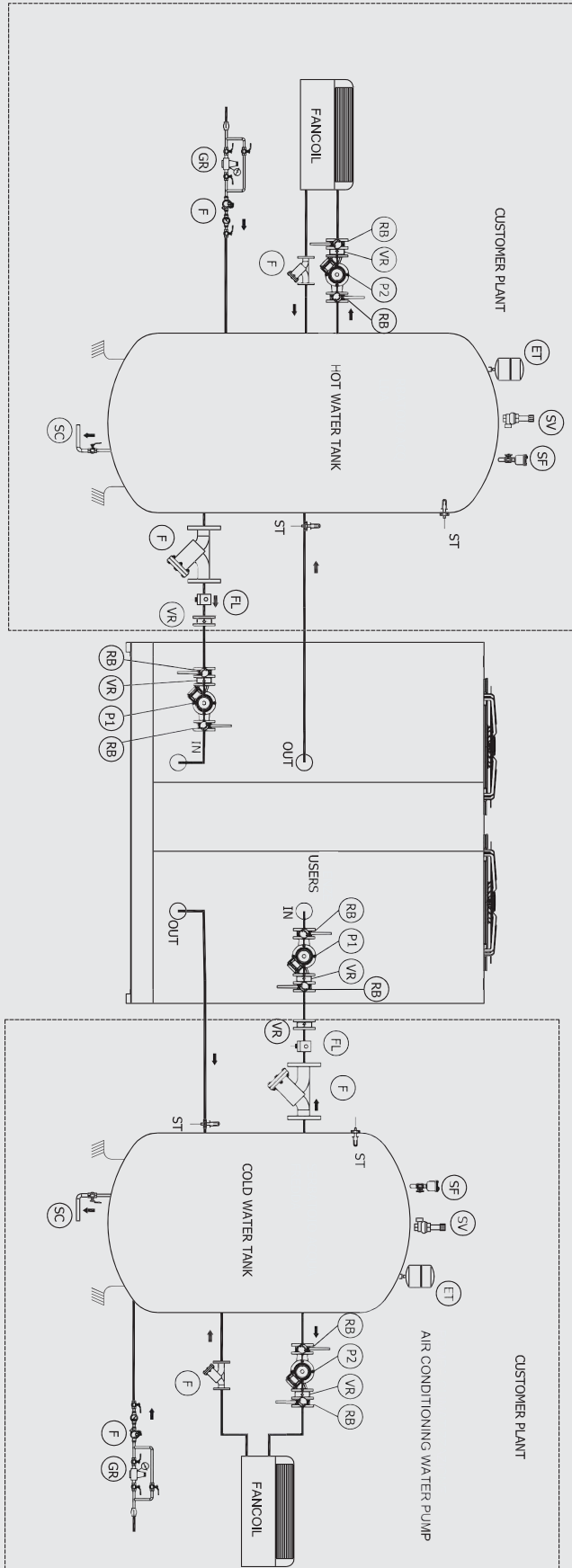
CONNECTION SKETCH - STANDARD VERSION



- LEGEND**
- P1 Primary pump
 - P2 Secondary pump
 - ST Temperature probe
 - FL Flow switch
 - SC Drainage
 - SF Vent valve
 - ET Expansion vessel
 - GR Filling group
 - F Steel mesh strainer
 - VR Check valve
 - SV Safety valve
 - RB Interception valve

Installation sketch

CONNECTION SKETCH - HYDRAULIC VERSIONS SINGLE PUMP

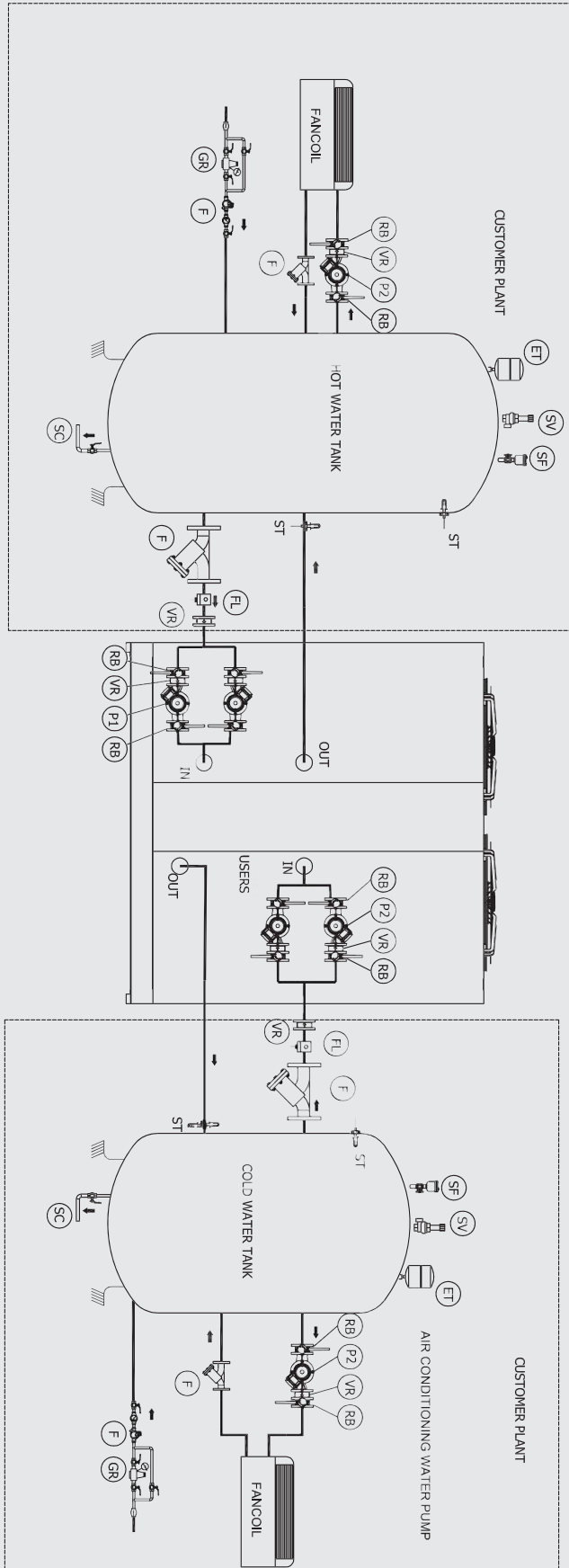


LEGEND

- P1 Primary pump
- P2 Secondary pump
- ST Temperature probe
- FL Flow switch
- SC Drainage
- SF Vent valve
- ET Expansion vessel
- GR Filling group
- F Steel mesh strainer
- VR Check valve
- SV Safety valve
- RB Interception valve

Installation sketch

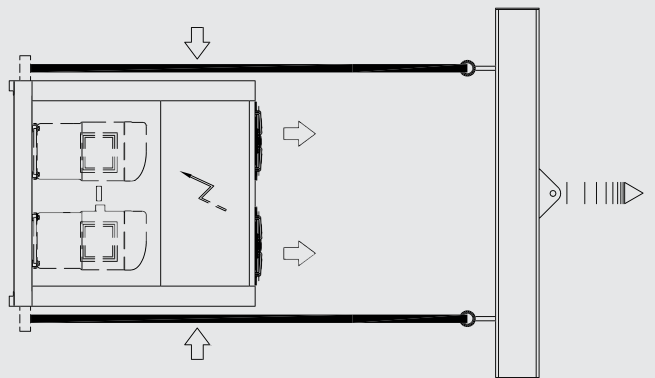
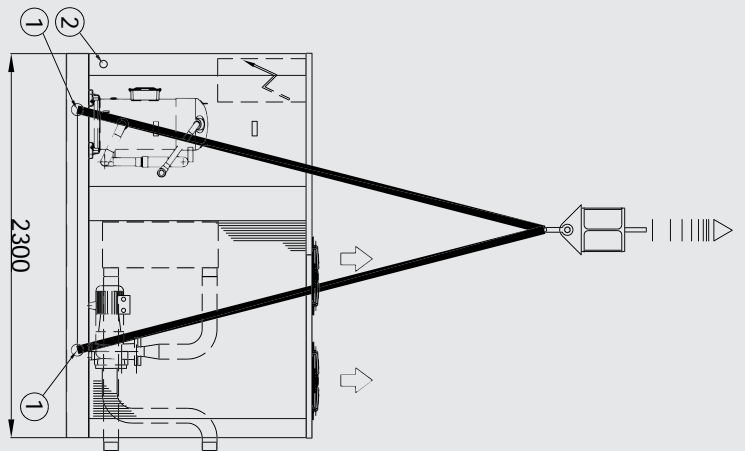
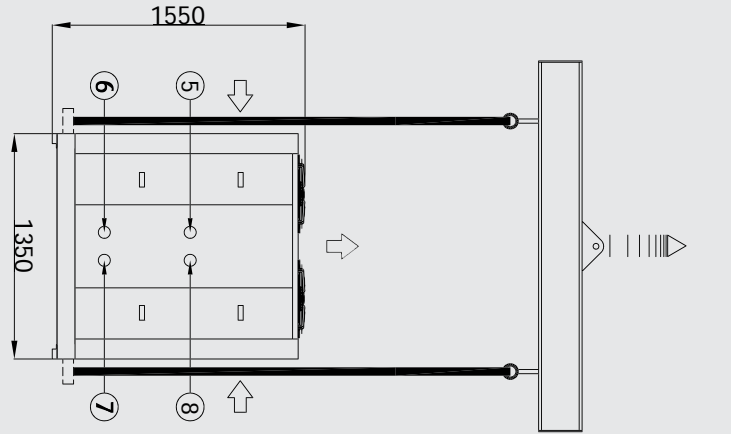
CONNECTION SKETCH - HYDRAULIC VERSION DOUBLE PUMP



LEGEND

- P1 Primary pump
- P2 Secondary pump
- ST Temperature probe
- FL Flow switch
- SC Drainage
- SF Vent valve
- ET Expansion vessel
- GR Filling group
- F Steel mesh strainer
- VR Check valve
- SV Safety valve
- RB Interception valve

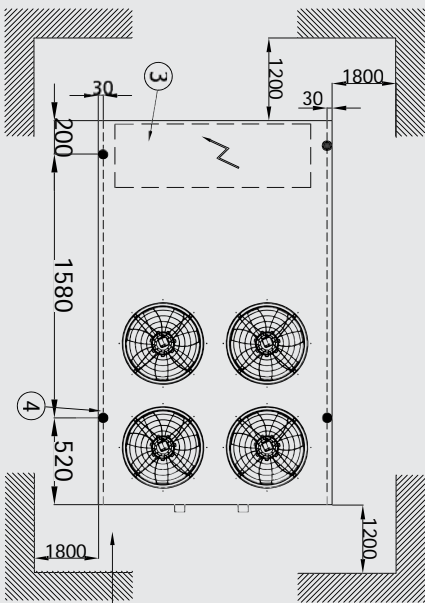
Dimensional drawings and weights



CMAA 012-018

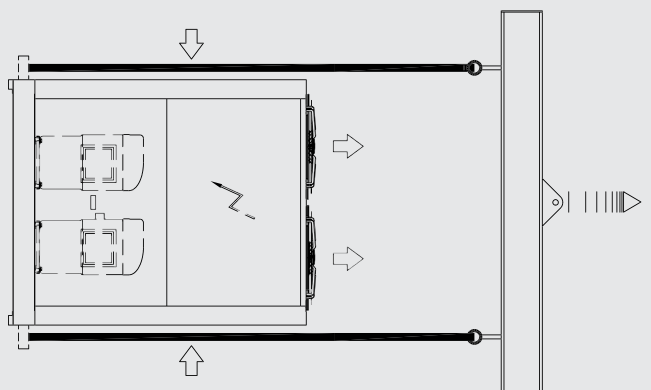
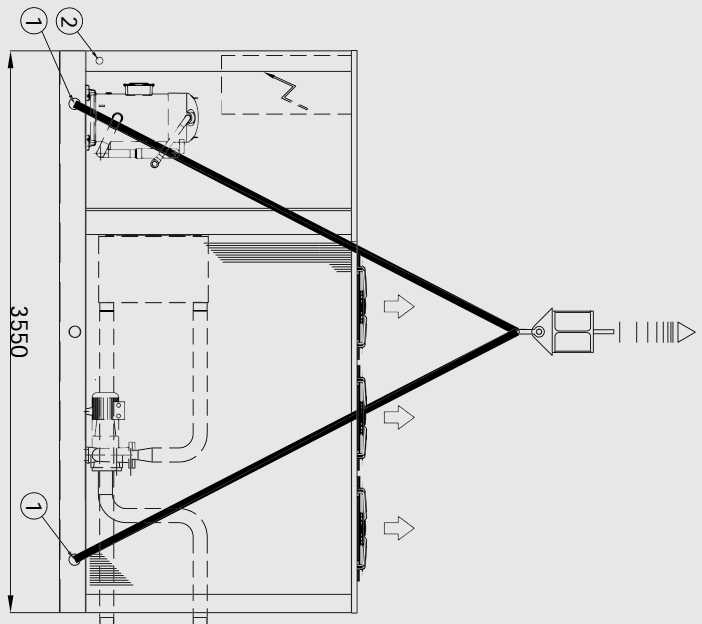
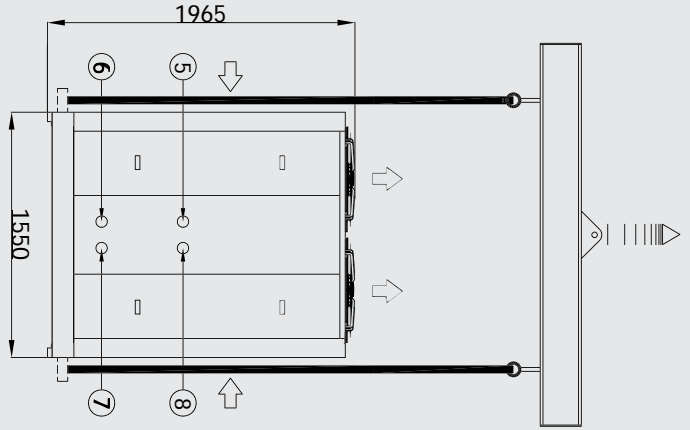
- ① Lifting holes
- ② Electric power supply
- ③ Electric box
- ④ AV mounting position
- ⑤ Chilled water inlet
- ⑥ Chilled water outlet
- ⑦ Hot water inlet
- ⑧ Hot water outlet

MOD.	012	015	018
⑤ ⑥	2"	2"	2"
⑦ ⑧	Ø	2"	2"



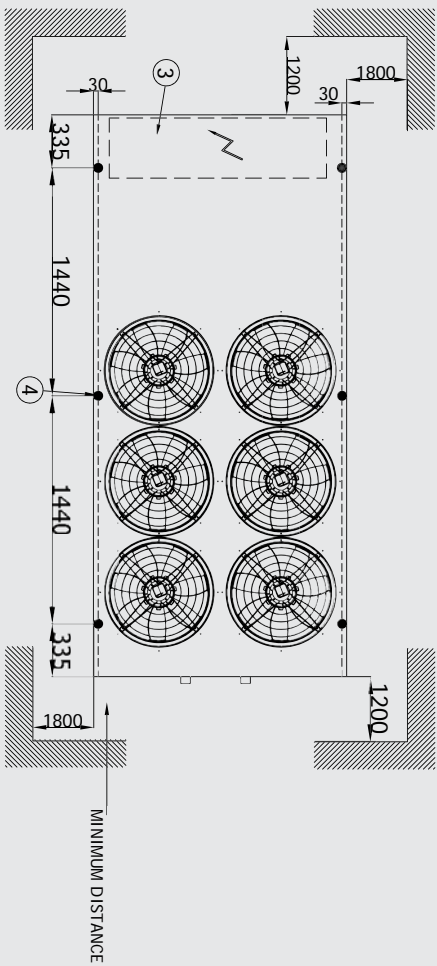
MINIMUM DISTANCE

Dimensional drawings and weights



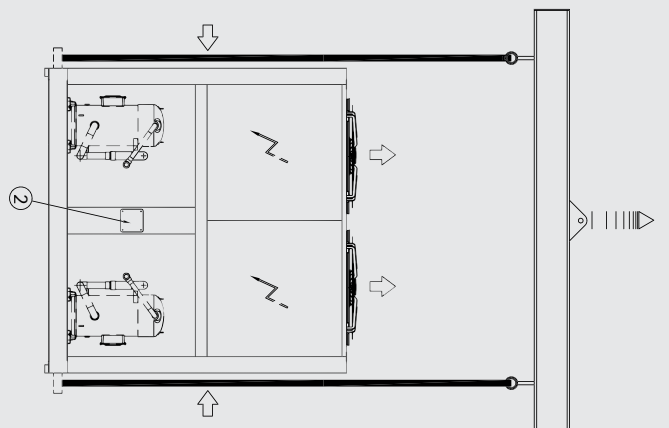
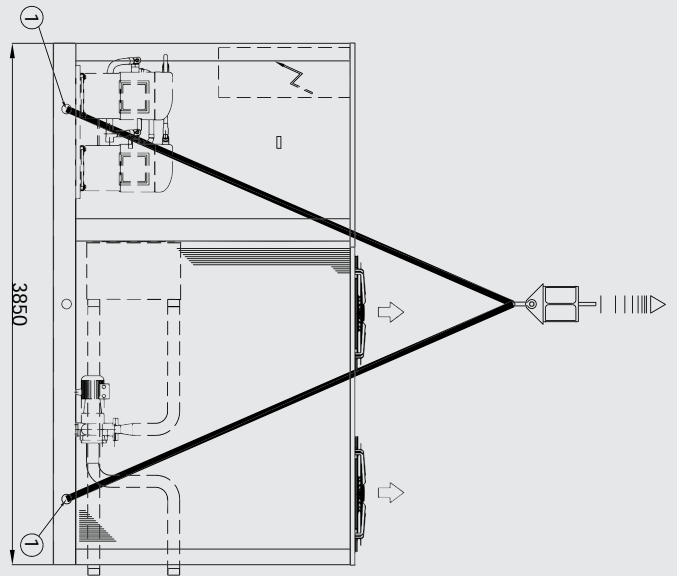
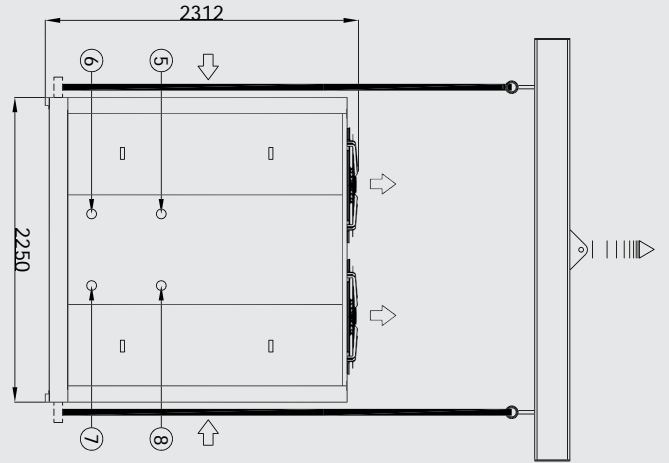
CMMAA 023-037

- ① Lifting holes
- ② Electric power supply
- ③ Electric box
- ④ AVV mounting position
- ⑤ Chilled water inlet
- ⑥ Chilled water outlet
- ⑦ Hot water inlet
- ⑧ Hot water outlet



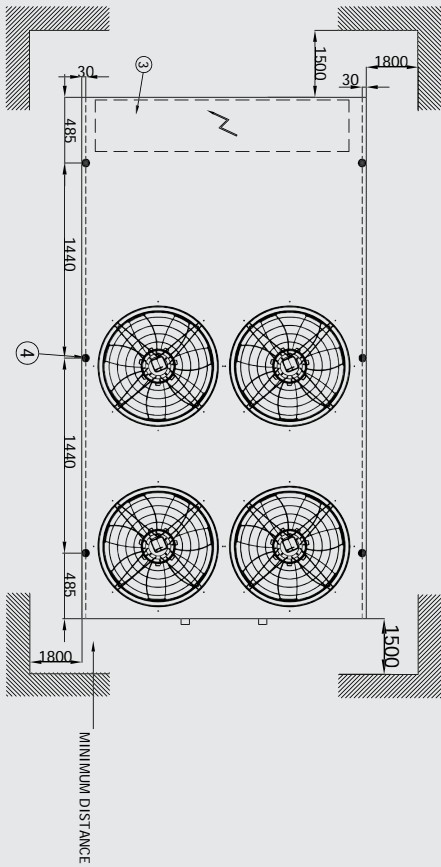
MOD.	023	030	033	037
⑤ ⑥	∅	2"	2"	2" 1/2
⑦ ⑧	∅	2"	2" 1/2	2" 1/2

Dimensional drawings and weights



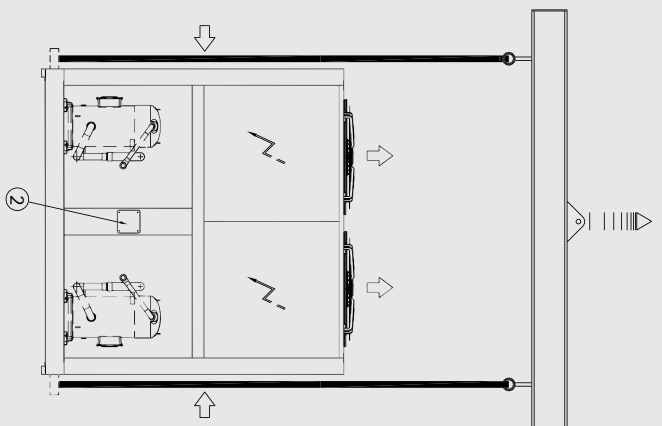
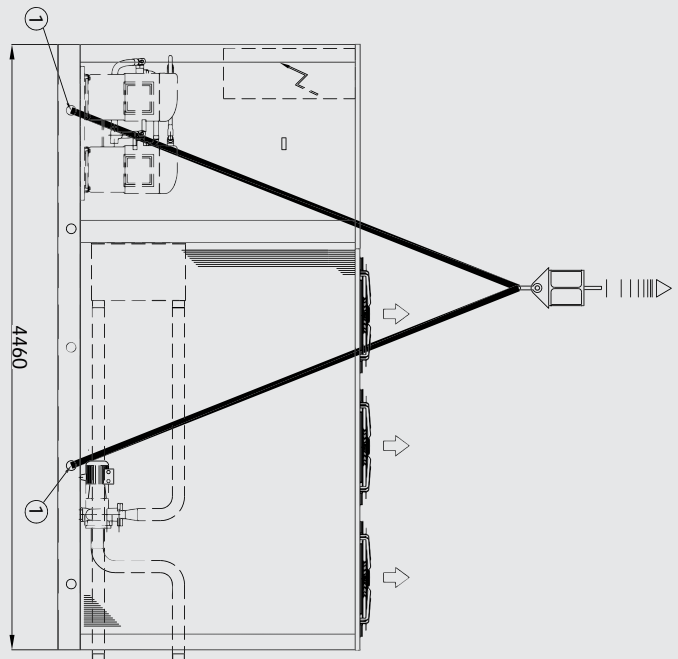
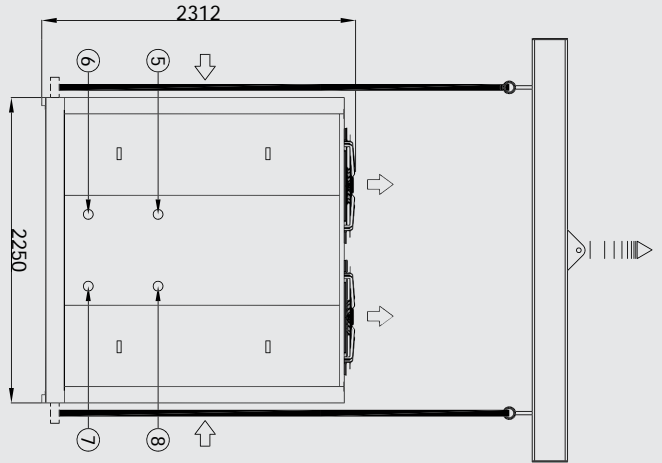
CMAA 044-087

- ① Lifting holes
- ② Electric power supply
- ③ Electric box
- ④ AV mounting position
- ⑤ Chilled water inlet
- ⑥ Chilled water outlet
- ⑦ Hot water inlet
- ⑧ Hot water outlet



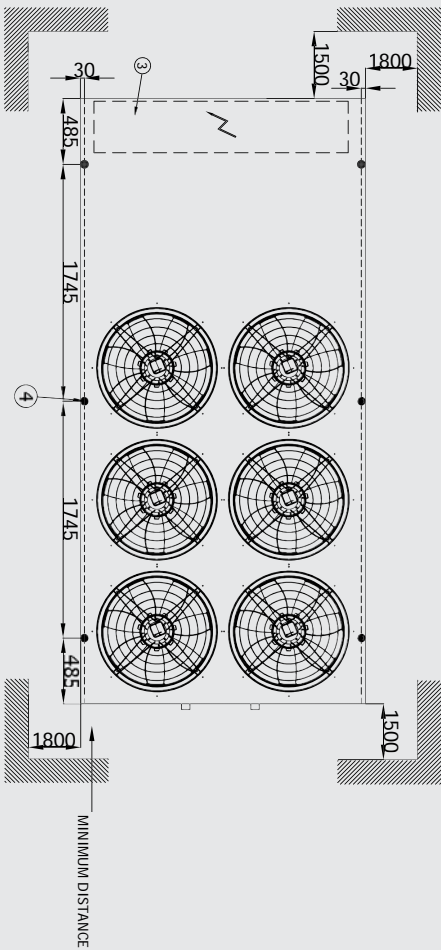
MOD.	044	047	057	070	087
⑥	3"	3"	3"	3"	3"
⑦	3"	3"	3"	3"	3"

Dimensional drawings and weights



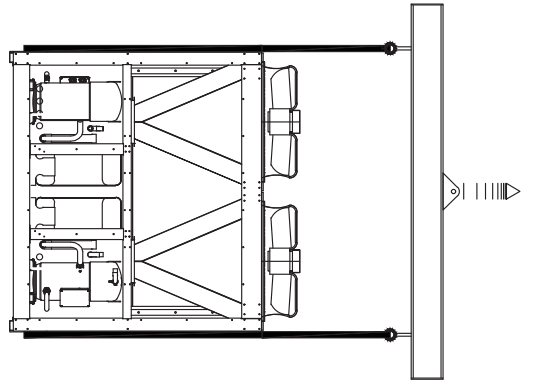
CMMAA 097-120

- ① Lifting holes
- ② Electric power supply
- ③ Electric box
- ④ AVV mounting position
- ⑤ Chilled water inlet
- ⑥ Chilled water outlet
- ⑦ Hot water inlet
- ⑧ Hot water outlet

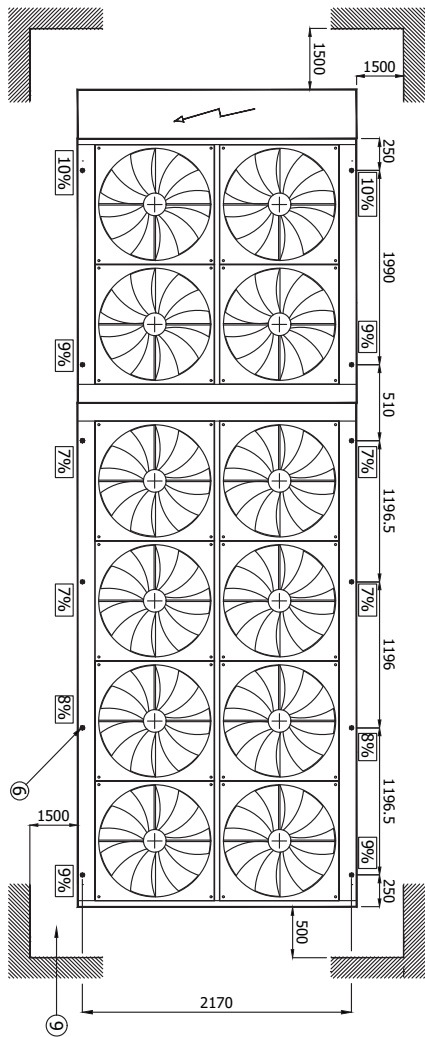
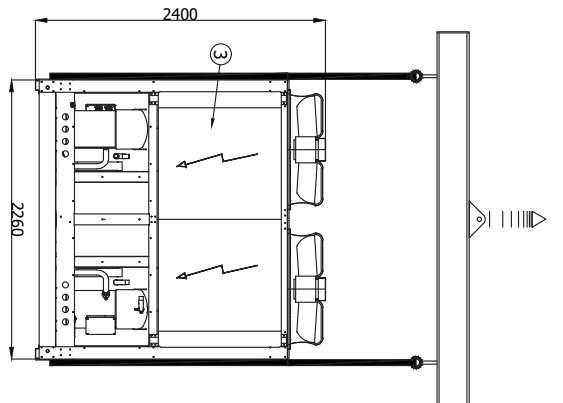
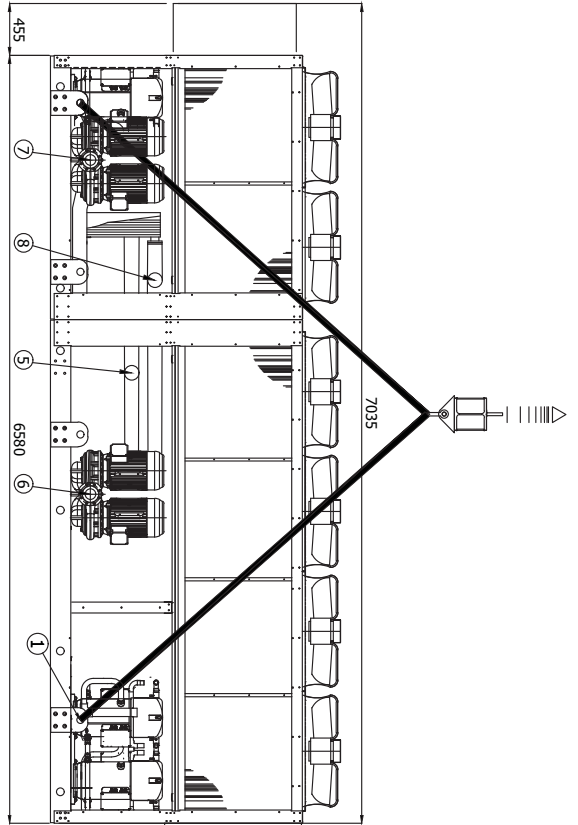


MOD.	097	102	120
⑤ ⑥	Ø 4"	Ø 4"	Ø 4"
⑦ ⑧	Ø 4"	Ø 4"	Ø 4"

Dimensional drawings and weights



- ① FORI DI SOLLEVAMENTO
LIFTING HOLES
- ② ALIMENTAZIONE ELETTRICA
ELECTRIC POWER SUPPLY
- ③ QUADRO ELETTRICO
ELECTRIC BOX
- ④ POSIZIONAMENTO ANTIVIBRANTI
AV MOUNTING POSITION
- ⑤ ENTRATA ACQUA FREDDA
CHILLED WATER INLET
- ⑥ USCITA ACQUA FREDDA
CHILLED WATER OULET
- ⑦ ENTRATA ACQUA CALDA
HOT WATER INLET
- ⑧ USCITA ACQUA CALDA
HOT WATER OULET



Pesi in funzionamento KG - Operation weights KG

Grandezze e Sizes	n°1 Pompa circuito Freddo + n°1 Pompa circuito Caldo 150kPa	n°1,1 Pompe circuito Freddo + n°1,1 Pompa circuito Caldo 150kPa	n°1 Pompa circuito Freddo + n°1 Pompa circuito Caldo 250kPa	n°1,1 Pompe circuito Freddo + n°1,1 Pompa circuito Caldo 250kPa	n°1 Pompa circuito Freddo + n°1 Pompa circuito Caldo 450kPa	n°1,1 Pompe circuito Freddo + n°1,1 Pompa circuito Caldo 450kPa	DIFF. Low Noise	DIFF. Super Low Noise
4780	n°1 Cooling circuit Pump + n°1 Heating circuit Pump 150 kPa	n°1,1 Cooling circuit Pumps + n°1,1 Heating circuit Pumps 150 kPa	n°1 Cooling circuit Pump + n°1 Heating circuit Pump 250 kPa	n°1,1 Cooling circuit Pumps + n°1,1 Heating circuit Pumps 250 kPa	n°1 Cooling circuit Pump + n°1 Heating circuit Pump 450 kPa	n°1,1 Cooling circuit Pumps + n°1,1 Heating circuit Pumps 450 kPa	100	280
5180	5075	5090	5207	5418	5549	5688	100	280
4820	5180	5196	5312	5523	5554	5794	100	280

Commissioni acqua Vitale - Water connections Vitale

Grandezze - Sizes	Ø 3460	Ø 3480
5 - 6	5"	5"
7 - 8	Ø 5"	5"

Dimensional drawings and weights

WEIGHTS

MODEL	012	015	018	023	030	033	037	044	047	057	070	087	097	102	120	130	140								
Operation Weights																									
Basic Version	Kg	1189	1254	1289	1889	1924	1957	2014	2595	2632	2807	3030	3340	3582	3700	3876	4729	4835							
2 Pumps - Low head pressure	Kg	1300	1364	1431	2030	2066	2099	2170	2751	2788	2976	3199	3509	3850	3968	4144	5075	5180							
2+2 Pumps - Low head pressure	Kg	1410	1475	1572	2172	2207	2240	2326	2907	2944	3145	3369	3678	4118	4236	4412	5090	5196							
2 Pumps - Medium Head pressure	Kg	1312	1377	1428	2043	2079	2112	2176	2757	2794	2998	3235	3545	3878	3996	4172	5207	5312							
2+2 Pumps - Medium head pressure	Kg	1436	1500	1567	2198	2234	2267	2338	2919	2956	3188	3439	3749	4174	4292	4468	5418	5523							
2 Pumps - High head pressure	Kg	1348	1413	1464	2081	2117	2150	2214	2845	2882	3064	3287	3597	3920	4038	4214	5449	5554							
2+2 Pumps - High head pressure	Kg	1508	1572	1639	2274	2310	2343	2414	3095	3132	3320	3543	3853	4258	4376	4552	5688	5794							
Increase for version																									
Super low Noise	SL	Kg	+56	+56	+56	+108	+108	+108	+108	+108	+108	+108	+108	+155	+155	+155	+155	+155	+155	+175	+175	+175	+175	280	280
Shipping Weights																									
Basic Version	Kg	1169	1230	1263	1859	1892	1921	1974	2551	2586	2757	2976	3280	3520	3634	3806	4679	4785							
2 Pumps - Low head pressure	Kg	1260	1316	1379	1970	2002	2027	2090	2663	2696	2876	3091	3389	3726	3836	4004	5025	5130							
2+2 Pumps - Low head pressure	Kg	1370	1427	1520	2112	2143	2168	2246	2819	2852	3045	3261	3558	3994	4104	4272	5040	5146							
2 Pumps - Medium Head pressure	Kg	1272	1329	1376	1983	2015	2040	2096	2669	2702	2898	3127	3425	3754	3864	4032	5157	5262							
2+2 Pumps - Medium head pressure	Kg	1396	1452	1515	2138	2170	2195	2258	2831	2864	3088	3331	3629	4050	4160	4328	5368	5473							
2 Pumps - High head pressure	Kg	1308	1365	1412	2021	2053	2078	2134	2757	2790	2964	3179	3477	3796	3906	4074	5399	5504							
2+2 Pumps - High head pressure	Kg	1468	1524	1587	2214	2246	2271	2334	3007	3040	3220	3435	3733	4134	4244	4412	5638	5744							
Increase for version																									
Super low Noise	SL	Kg	+56	+56	+56	+108	+108	+108	+108	+108	+108	+108	+108	+155	+155	+155	+155	+155	+155	+175	+175	+175	+175	280	280



Trane optimizes the performance of homes and buildings around the world. A business of Ingersoll Rand, the leader in creating and sustaining safe, comfortable and energy efficient environments, Trane offers a broad portfolio of advanced controls and HVAC systems, comprehensive building services and parts. For more information visit www.Trane.com

Trane has a policy of continuous product and product data improvement and reserves the right to change design and specifications without notice.

© 2015 Trane All rights reserved
CG-PRC025B-GB April 2015
Supersedes CG-PRC025-E4_0613

We are committed to using environmentally
conscious print practices that reduce waste.

